

RHS30040D



Accessories: Heatsinks



Main features

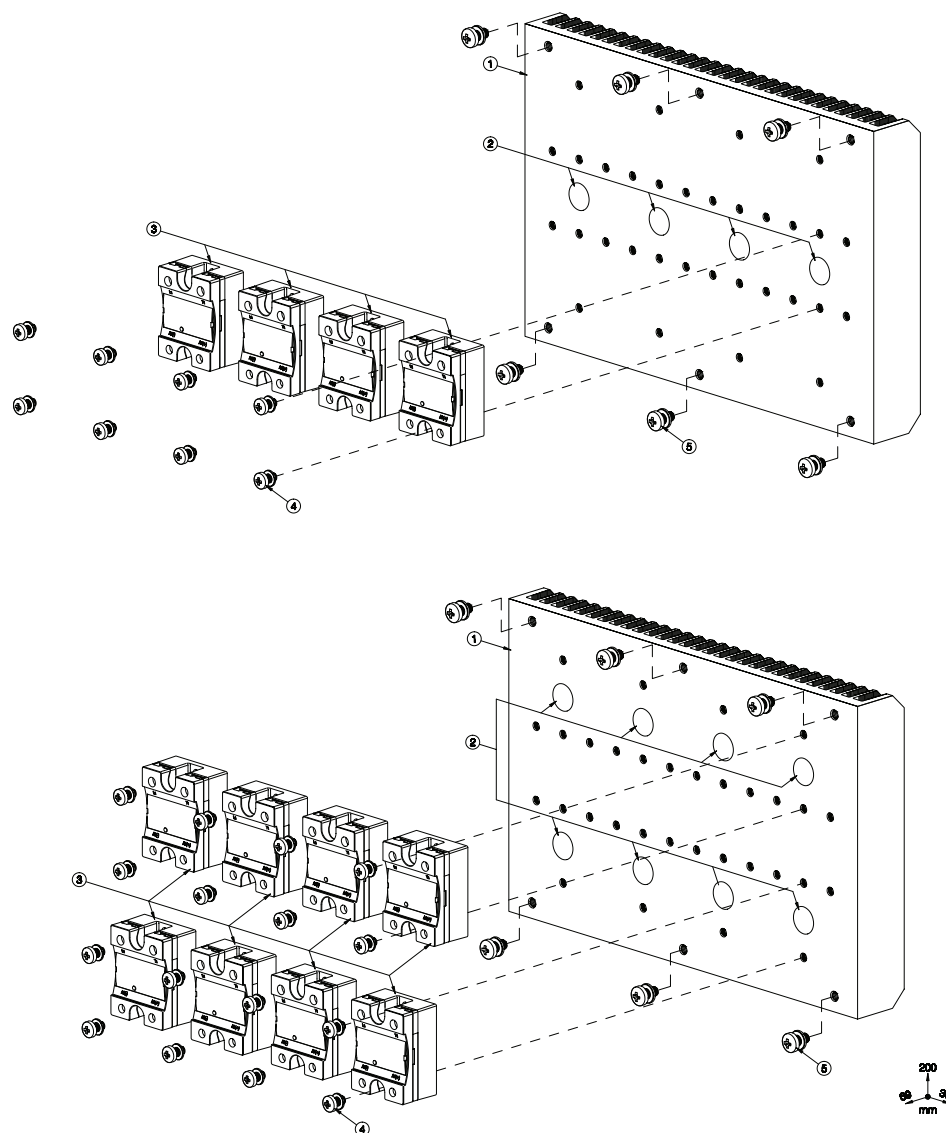
- 0.4°C/W thermal resistance
- Suitable for mounting of 1-phase SSRs
- Thru wall mounting
- Dimensions W x H x D: 300 x 200 x 40 mm
- RoHS compliant

Description

Heatsink assembly suitable for mounting of a multiple no. of 1- phase SSRs.
Suffix H57 added to SSR part no. refers to factory mounted heatsink. Conditions apply. Please ask your sales representative for further details.

Structure

1-phase SSR



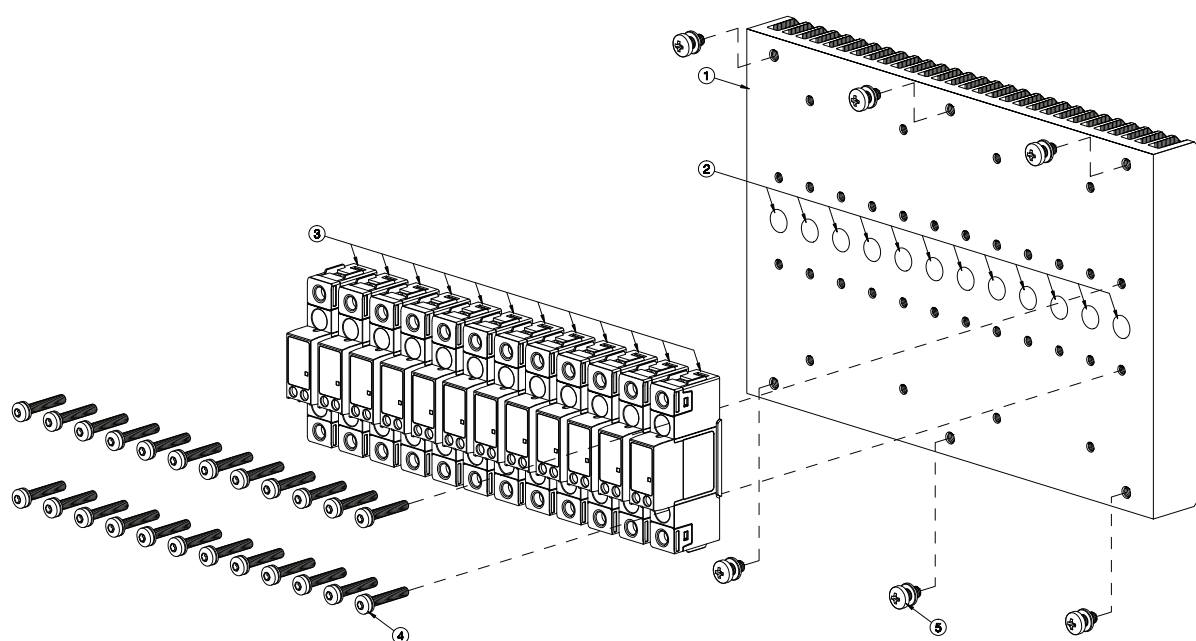
Element	Component	Qty	RHS30040D
1	RHS30040D heatsink assembly	1	Provided
2	Thermal Compound or Pad	1	Not provided
3	1-phase SSR 45x59mm (max.)	8	Not provided
4	M5x10mm PZ2 + Washer (per SSR)	2	Not provided
5	Thru wall panel mounting screws M6	6	Not provided

Note:

* 73mm for RK..C, 84mm for RK..P (including plug).

Dimensions including the SSR.

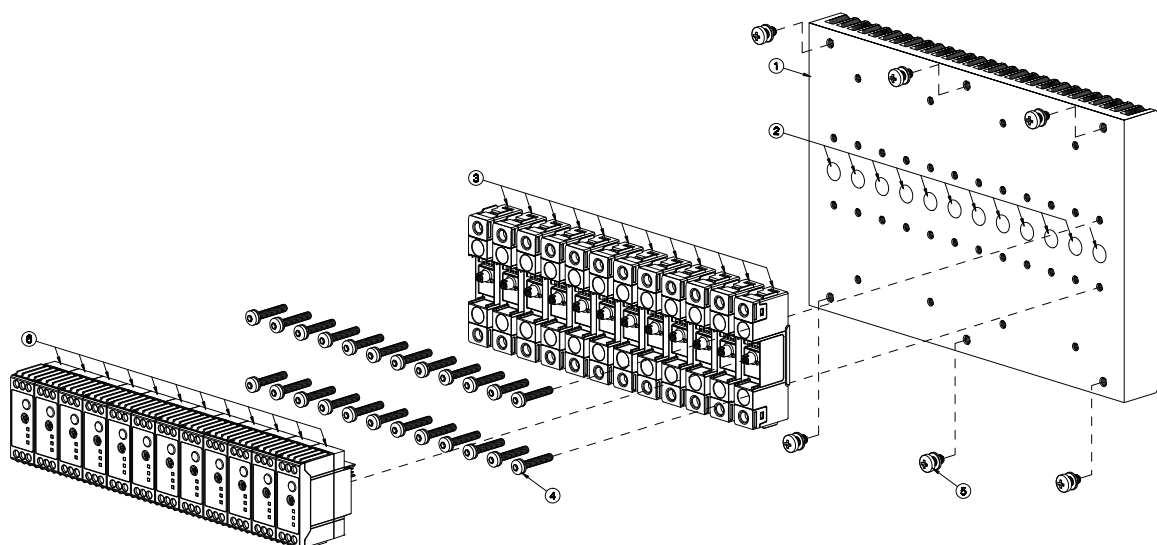
RGS1 18mm Module



Element	Component	Qty	RHS30040D
1	RHS30040D heatsink assembly	1	Provided
2	Thermal Compound or Pad	1	Not provided
3	RGS1 SSR 18x90mm (max.)	12	Not provided
4	M5x30mm Torx T20 + Washer (per SSR)	2	Not provided
5	Thru wall panel mounting screws M6	6	Not provided

Note:
Dimensions including the SSR.

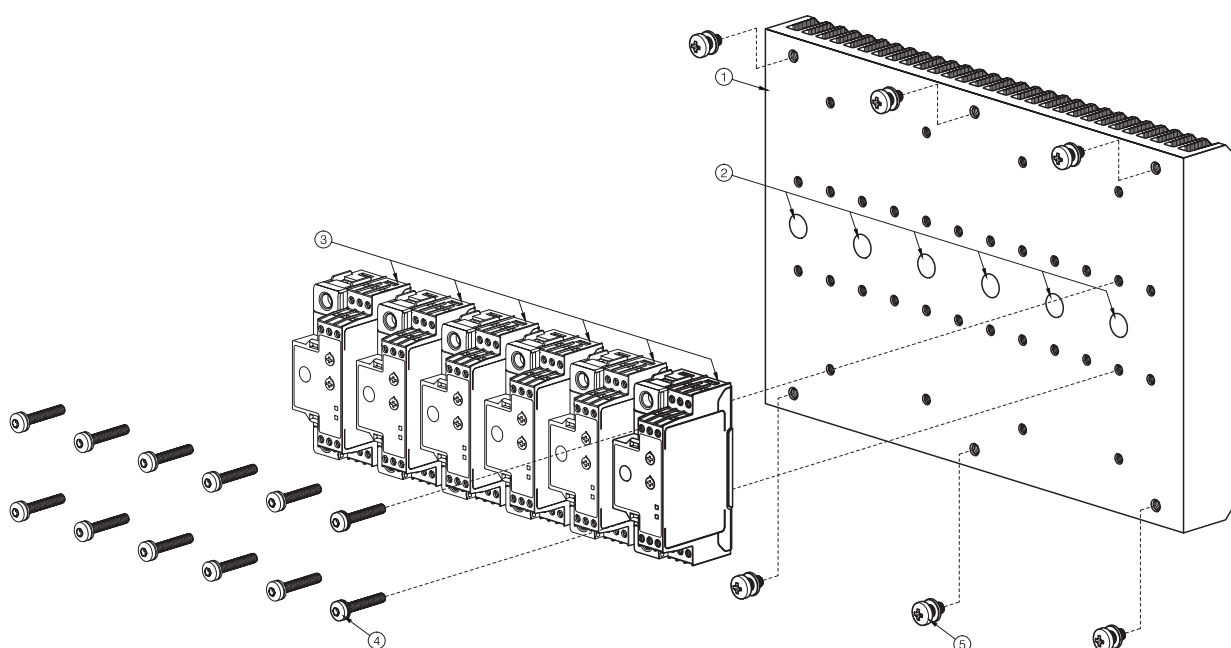
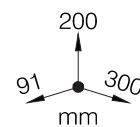
RGS1 22.5mm Module



Element	Component	Qty	RHS30040D
1	RHS30040D heatsink assembly	1	Provided
2	Thermal Compound or Pad	1	Not provided
3	RGS1 Power Module 18x90mm (max.)	12	Not provided
4	M5x30mm Torx T20 + Washer (per SSR)	2	Not provided
5	Thru wall panel mounting screws M5	6	Not provided
6	RGS1S Control Module 22.5x65mm (max.)	12	Not provided

Note:
Dimensions including the SSR.

RGS1P 35mm Module



Element	Component	Qty	RHS30040D
1	RHS30040D heatsink assembly	1	Provided
2	Thermal Compound or Pad	1	Not provided
3	RGS1P SSR 35x90mm (max.)	6	Not provided
4	M5x30mm Torx T20 + Washer (per SSR)	2	Not provided
5	Thru wall panel mounting screws M5	6	Not provided

Note:

Dimensions including the SSR.

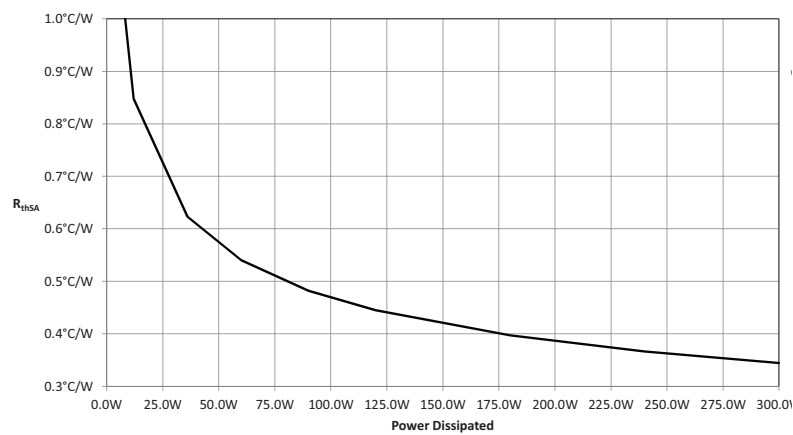
When only 1 SSR is utilized it shall be mounted at the centre of the heatsink.

Features

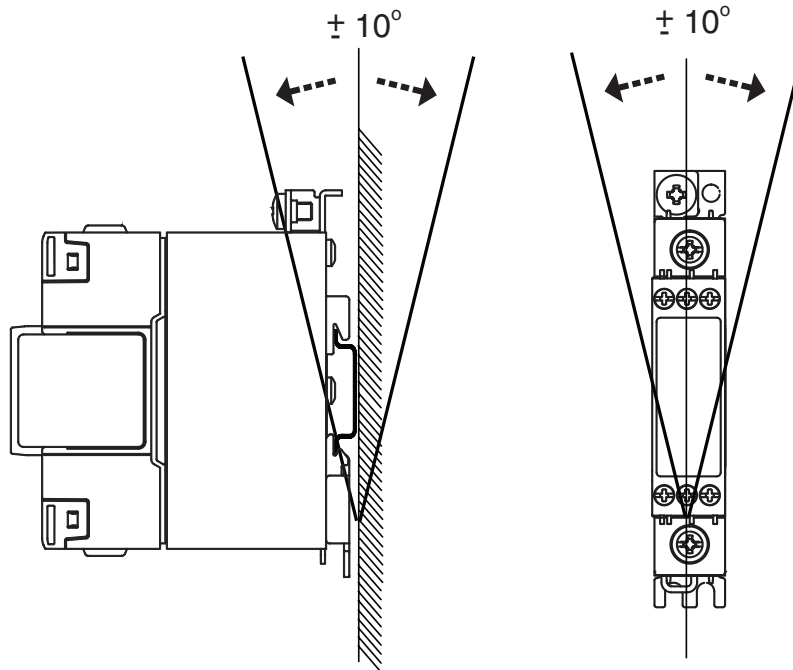
General

SSR max. mounting torque	1.5Nm (13.3 lb-in)
Weight (excl. SSR)	approx 2975g
Material	Aluminium
Finish	Black anodization
Fan mounting	Not possible

Thermal resistance curve



▶ Mounting position



▶ Installation

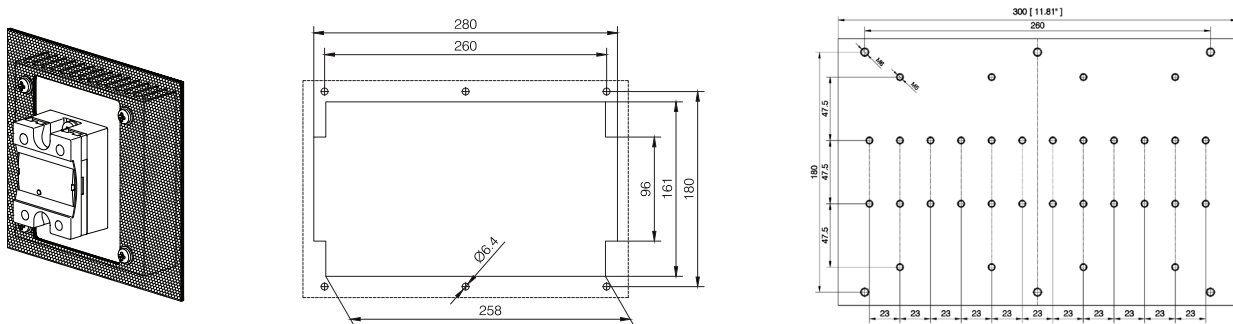


Fig. 1 Panel mount hole positions / Thru wall panel cutout

All dimensions in mm.
Illustrations are for example only.

Recommended maximum current rating (per SSR)

1. The below recommendations are only valid when the assembly (SSR + heatsink) is mounted as shown in the mounting instructions unless otherwise indicated.
2. The indicated ratings are applicable to one SSR, one pole. Please refer to the online selector tool at www.productselection.net for different load currents, surrounding temperatures or multiple units on one heatsink.
3. These recommendations are applicable only with the indicated Carlo Gavazzi thermal interface material between SSR and heatsink. In case a different thermal interface is utilised these recommendations may no longer be valid.

Pre-attached phase change paste

1x 2-pole SSR	Surrounding temperature							
	°C °F	20 68	30 86	40 104	50 122	60 140	70 158	80 176
RK 2.. (per pole)	50	50	50	50	45	38	31	23.5
	51	50	50	50	50	43	35	26.5
	75	75	75	69	60	50.5	40.5	30.5

 Thermal compound, HTS02S

1x 1-phase SSR	Surrounding temperature							
	°C °F	20 68	30 86	40 104	50 122	60 140	70 158	80 176
RA..L RA..T	10	10	10	10	10	10	10	-
	25	25	25	25	23.5	20	16	-
RA..	25	25	25	25	25	22	17	-
	50	50	50	45.5	38.5	31.5	24	-
	90	80.5	75.5	65.5	55.5	45	34	-
	110	94	88	76	63.5	51	38.5	-
RA60..	50	50	50	45	38	31.5	24.5	-
RA2A.. (per pole)	25	25	25	25	25	25	22	-
	40	40	40	38	33.5	29	24	-
	25M	25	25	25	25	25	22	-
	40M	40	40	39	34.5	29.5	25	-
RS1A..	10	10	10	10	10	8.5	6.5	-
	25	25	25	25	25	25	25	-
	40	40	40	40	40	40	32.5	-
RS1A..E	25	25	25	22.5	19.5	16.5	13.5	-
	40	33.5	31.5	28	24	20.5	16.5	-
RM1A.. RM1B.. RM1C..	25	25	25	25	25	25	25	-
	50	50	50	50	50	46.5	32.5	-
	75	75	75	75	73	59	41	-
	100	100	100	98.5	86	65	44.5	-
RM1A60.. RM1B60.. RM1C60.. RM1E60..	50	50	50	50	46	40	33	-
RAM1A.. RAM1B.. RM1E..	25	25	25	25	25	25	25	17
	50	50	50	50	50	46.5	32.5	18.5
	75	75	75	75	73	59	41	22.5
	100	98	93	83.5	73	59	41	22.5
	125	116.5	110.5	98.5	86	65	44.5	24
RM1D060	10	10	10	10	10	10	10	6
	20	20	20	20	20	18	13	6
	50	50	48	42	36	29	21	10
	100	75	71	62.5	53	42.5	30.5	14.5
RM1D200	20	19.5	18.5	17	15.5	13.5	11.5	8.5
	50	34.5	33	30	27	23.5	19.5	14.5
RM1D500	10	10	10	10	10	9	8	6

 Thermal compound, HTS02S

1x 1-phase SSR	Surrounding temperature							
	°C °F	20 68	30 86	40 104	50 122	60 140	70 158	80 176
RGS1..E RGS1P..E*	25	25	25	25	25	25	25	25
	50	50	50	50	50	50	45	36
	51	50	50	50	50	50	44	36
	75	75	75	75	69.5	60	50.5	40.5
	90 91 92	90	90	85	75	65	54.5	43.5
RGS1..U	20	20	20	20	20	20	20	20
	30	30	30	30	30	30	30	30
RGS1S..E	20	23	23	23	23	23	23	-
	30	30	30	30	30	30	30	-
	31	30	30	30	30	30	30	-
	92	90	90	85	75	65	54.5	-
RGS1D..	15	15	15	15	15	15	15	15
	25	25	25	25	25	25	24	20

* max. 70 °C / 158 °F for RGS1P..E

 Thermal pad KK071CUT for 1-phase SSRs, RGHT for RG SSRs

1x 1-phase SSR	Surrounding temperature							
	°C °F	20 68	30 86	40 104	50 122	60 140	70 158	80 176
RA..L RA..T	10	10	10	10	10	10	10	-
	25	25	25	23	20	17	14	-
RA..	25	25	25	25	24	19.5	15	-
	50	47.5	44.5	38.5	33	26.5	20.5	-
	90	62	58	50.5	42.5	34.5	26.5	-
	110	70	66	57	47.5	38.5	29	-
RA60..	50	46.5	44	38.5	33	27	21	-
RA2A.. (per pole)	25	25	25	25	25	22.5	19	-
	40	38.5	37	33	29	25	21	-
	25M	25	25	25	25	22.5	19	-
	40M	39.5	37.5	33.5	29.5	25.5	21.5	-
RS1A..	10	10	10	10	10	8	6	-
	25	25	25	25	25	25	21.5	-
	40	40	40	40	40	33	23.5	-
RS1A..E	25	23.5	22	19.5	17	14.5	11.5	-
	40	28	26.5	23.5	20	17	14	-
RM1A.. RM1B.. RM1C..	25	25	25	25	25	25	21.5	-
	50	50	50	50	42.5	33	23.5	-
	75	74	70.5	60	49	38	27	-
	100	84	78	66	54	41.5	29	-
RM1A60.. RM1B60.. RM1C60.. RM1E60..	50	50	49	44.5	39.5	33.5	24	-
RAM1A.. RAM1B.. RM1E..	25	25	25	25	25	25	21.5	13
	50	50	50	50	42.5	33	23.5	13.5
	75	74	70.5	60	49	38	27	15.5
	100	74	70.5	60	49	38	27	15.5
	125	84	78	66	54	41.5	29	16.5
RM1D060	10	10	10	10	10	10	10	6
	20	20	20	20	20	17.5	12.5	6
	50	48.5	46	41	35	28	20.5	10
	100	71.5	68	60	51	41	29.5	14.5
RM1D200	20	18.5	18	16.5	14.5	13	11	8.5
	50	33	31.5	29	26	23	19.5	14.5
RM1D500	10	10	10	10	10	9	7.5	6

 Thermal pad KK071CUT for 1-phase SSRs, RGHT for RG SSRs

1x 1-phase SSR	Surrounding temperature							
	°C °F	20 68	30 86	40 104	50 122	60 140	70 158	80 176
RGS1..E RGS1P..E*	25	25	25	25	25	25	25	21
	50	50	50	48.5	43	37	31.5	25.5
	51	50	50	47	42	36.5	31	25.5
	75	64.5	61.5	55	48.5	42	35.5	28.5
	90 91 92	68.5	65	58.5	52	45	37.5	30.5
RGS1..U	20	20	20	20	20	20	20	20
	30	30	30	30	30	30	30	25.5
RGS1S..E	20	23	23	23	23	23	23	-
	30	30	30	30	30	30	30	-
	31	30	30	30	30	30	30	-
	92	68.5	65	58.5	52	45	37.5	-
RGS1D..	15	15	15	15	15	15	15	13.5
	25	25	25	24	21.5	19	16	13.5

* max. 70 °C / 158 °F for RGS1P..E



References

CARLO GAVAZZI compatible components

Purpose	Component name/code	Notes
Thermal pads	KK071CUT	Packing qty. 50 pcs, suitable for 1-phase SSRs
	RGHT	Packing qty. 10 pcs, suitable for RG SSRs
Thermal compound	HTS02S	2.38 ml sachet of silicon based thermal compound
Screw Kits	SRWKITM5X10MM	Packing qty. 20 pcs.
	SRWKITM5X30MM	Packing qty. 20 pcs.

Further reading

Information	Where to find it
Online heatsink selector tool	https://gavazziautomation.com/nsc/HQ/EN/solid_state_relays
Accessories	https://gavazziautomation.com/images/PIM/DATASHEET/ENG/SSR_Accessories.pdf

Order code



RHS30040D



COPYRIGHT ©2020
Content subject to change. Download the PDF: <https://gavazziautomation.com>