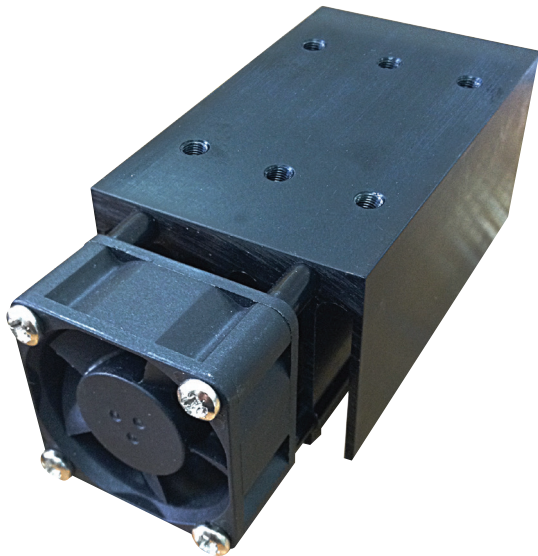


RHS540F



Accessories: Heatsinks



Main features

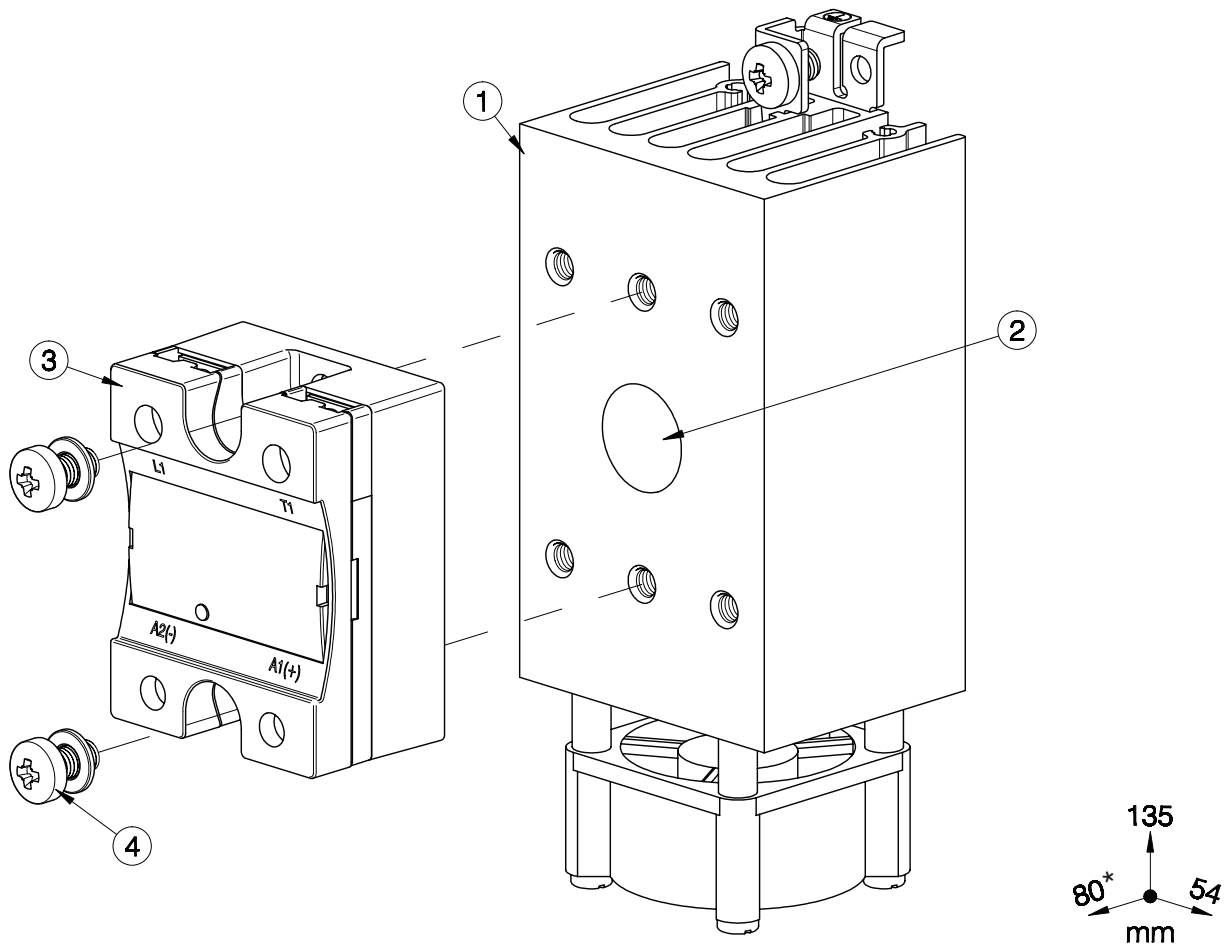
- 0.65°C/W thermal resistance
- Suitable for mounting of 3x 1-phase SSRs
- DIN rail mounting
- Suitable for panel mounting
- Dimensions W x H x D: 54 x 135 x 51 mm
- RoHS compliant

Description

Heatsink assembly, including fan, suitable for mounting of maximum 3x 1-phase solid state relay (SSRs). Suffix H67 added to SSR part no. refers to factory mounted heatsink. Conditions apply. Please ask your sales representative for further details.

Structure

1-phase SSR



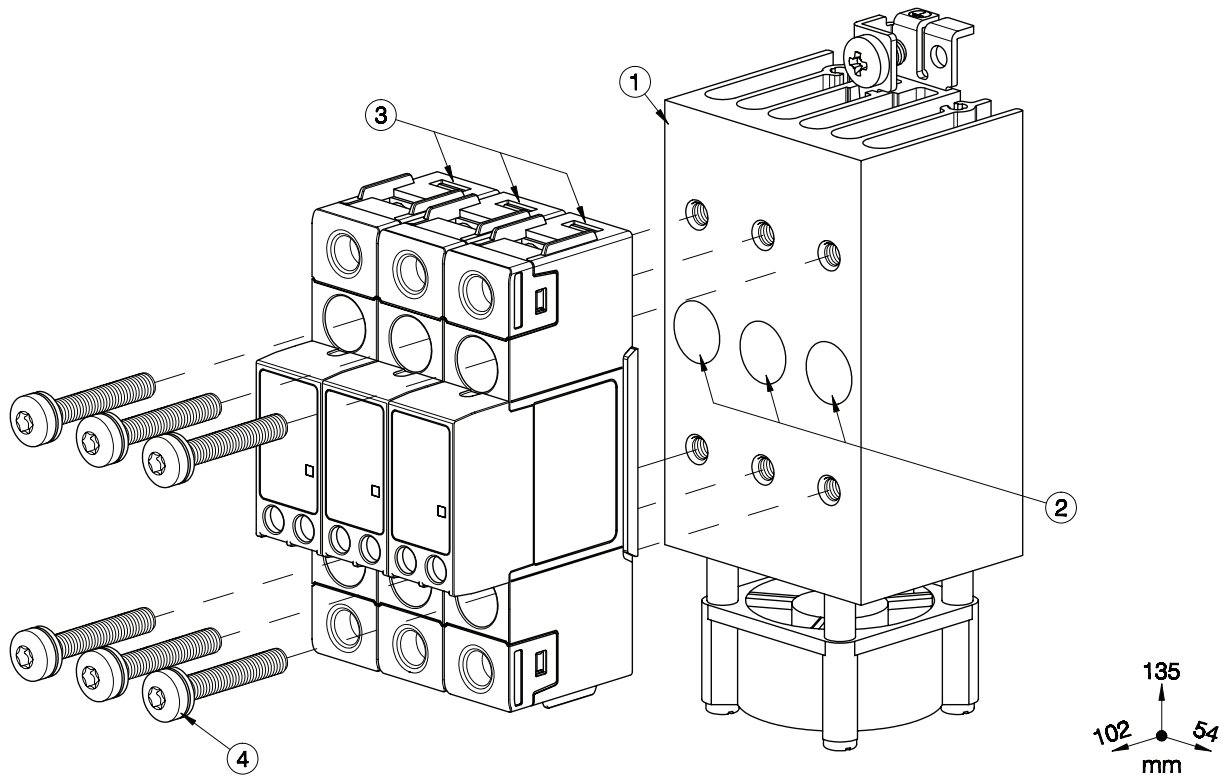
Element	Component	Qty	RHS540F
1	RHS540F heatsink assembly	1	Provided
2	Thermal Compound HTS02S	1	Provided
3	1-phase SSR 45x59mm	1	Not provided
4	M5x10mm PZ2 + Washer	2	Provided

Note:

* 84mm for RK..C, 95mm for RK..P (including plug).

Dimensions including the SSR.

RGS1 18mm Module



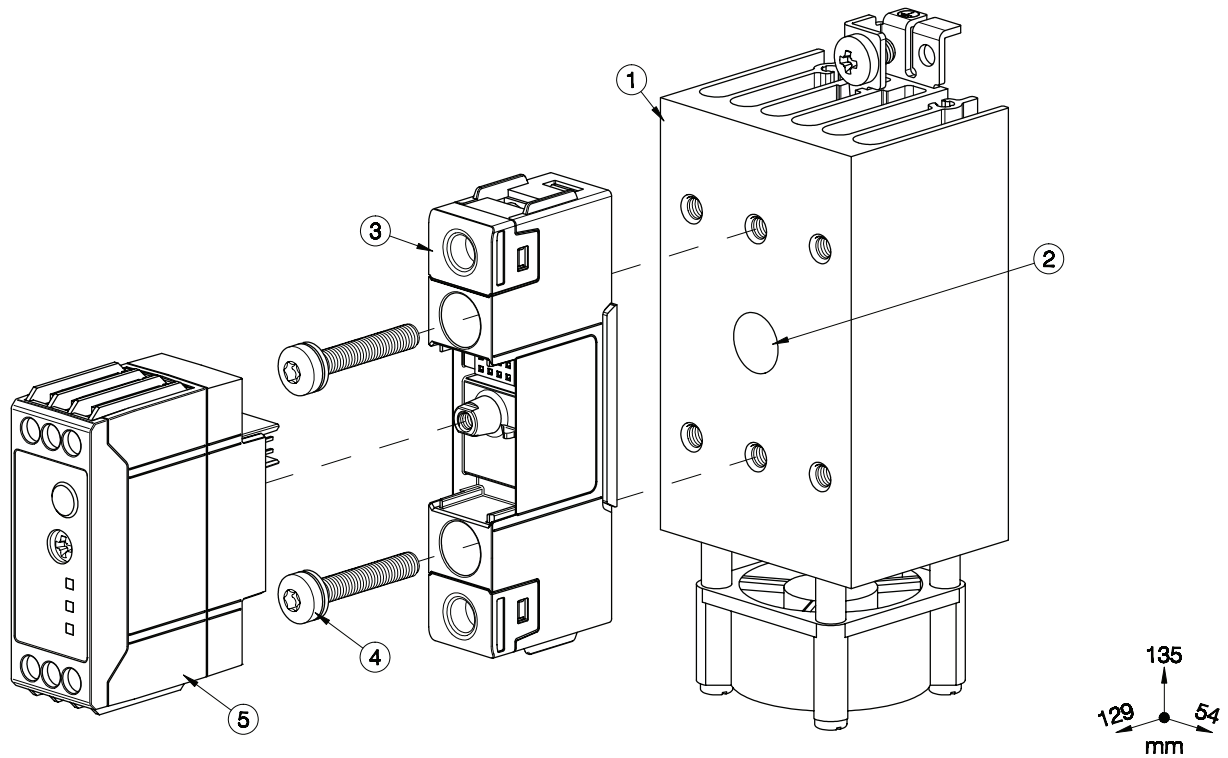
Element	Component	Qty	RHS540F
1	RHS540F heatsink assembly	1	Provided
2	Thermal Compound HTS02S	1	Provided
3	RGS1 SSR 18x90mm (max.)	3	Not provided
4	M5x30mm Torx T20 + Washer (per SSR)	2	Provided (x6)

Note:

Dimensions including the SSR.

When only 1 SSR is utilized it shall be mounted at the centre of the heatsink.

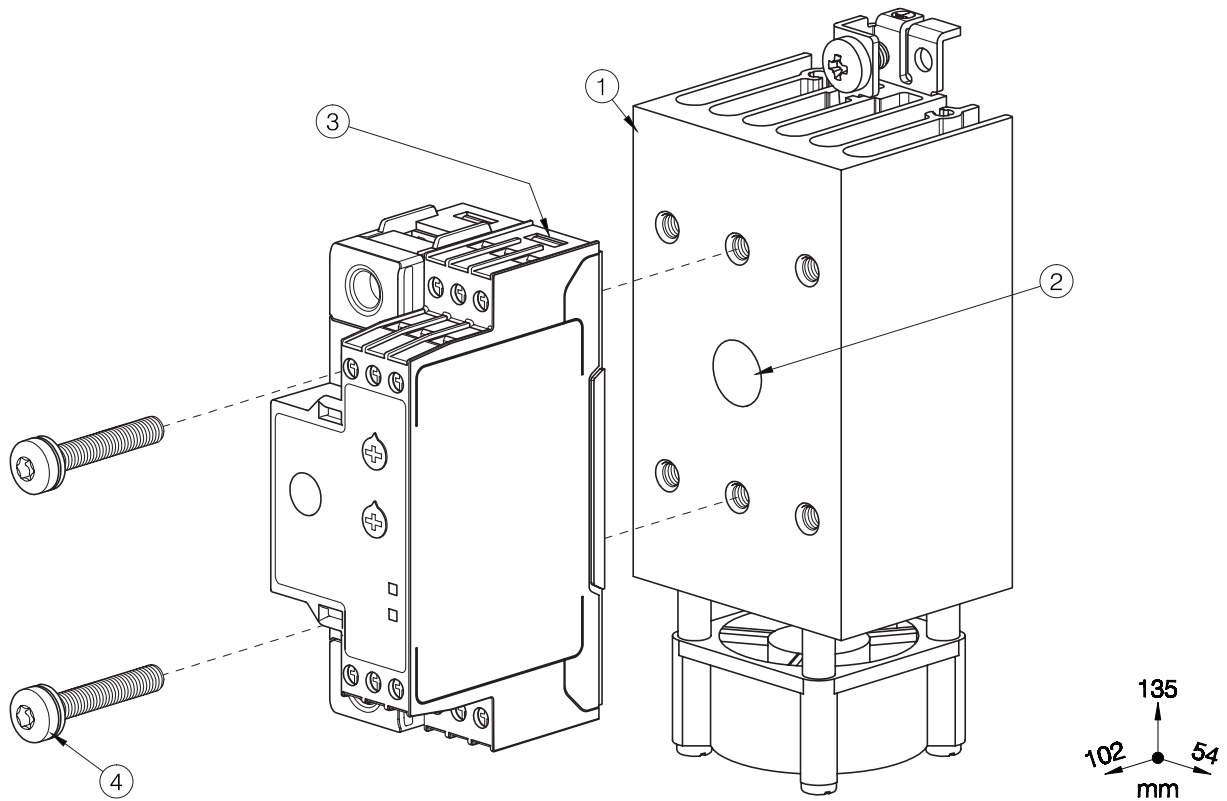
RGS1 22.5mm Module



Element	Component	Qty	RHS540F
1	RHS540F heatsink assembly	1	Provided
2	Thermal Compound HTS02S	1	Provided
3	RGS1 Power Module 18x90mm	1	Not provided
4	M5x30mm Torx T20 + Washer (per SSR)	2	Provided (x6)
5	RGS1S Control Module 22.5x65mm	1	Not provided

Note:
Dimensions including the SSR.

RGS1P 35mm Module



Element	Component	Qty	RHS540F
1	RHS540F heatsink assembly	1	Provided
2	Thermal Compound HTS02S	1	Provided
3	RGS1P SSR 35x90mm	1	Not provided
4	M5x30mm Torx T20 + Washer (per SSR)	2	Provided (x6)

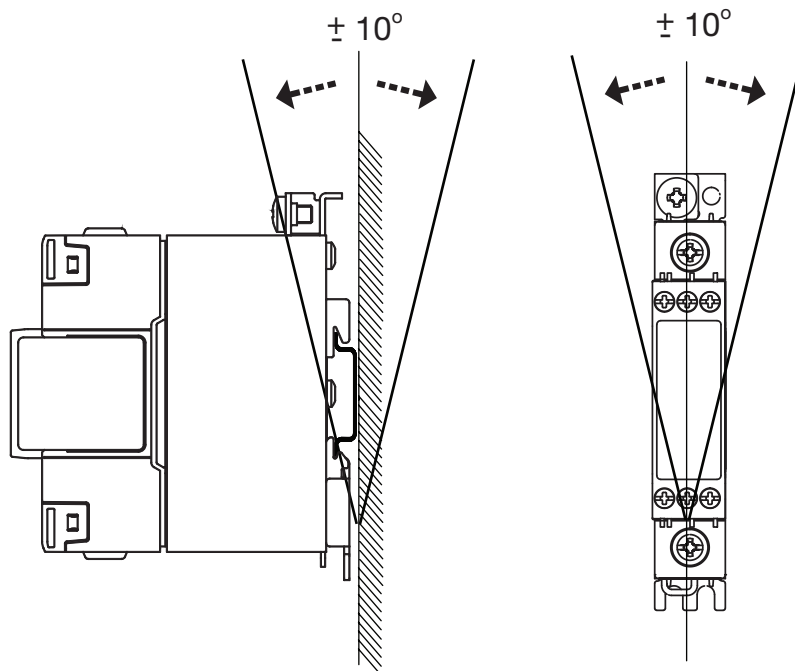
Note:
Dimensions including the SSR.

Features

General

SSR max. mounting torque	1.5Nm (13.3 lb-in)
PE screw (Not provided with assembly)	M5, max. 1.5Nm (13.3 lb-in)
Weight (excl. SSR)	approx. 430g
Material	Aluminium
Finish	Black anodization
Fan mounting	Integrated
Fan supply voltage	24 VDC
Power consumption	max. 0.92 Watts
Current consumption	33 mA

Mounting position



Installation

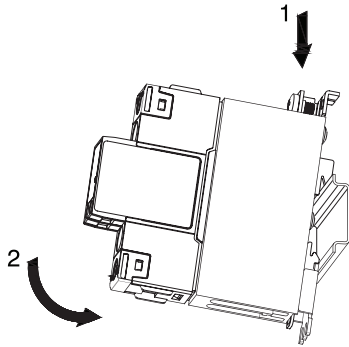


Fig. 1 Mounting on DIN rail

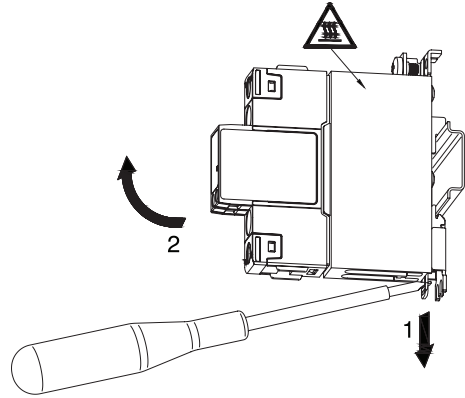


Fig. 2 Dismounting from DIN rail

Illustrations are for example only.



Recommended maximum current rating (per SSR)

1. The below recommendations are only valid when the assembly (SSR + heatsink) is mounted as shown in the mounting instructions unless otherwise indicated.
2. The indicated ratings are applicable to one SSR, one pole. Please refer to the online selector tool at www.productselection.net for different load currents, surrounding temperatures or multiple units on one heatsink.
3. These recommendations are applicable only with the indicated Carlo Gavazzi thermal interface material between SSR and heatsink. In case a different thermal interface is utilised these recommendations may no longer be valid.

Pre-attached phase change pad, RKHT


1x 2-pole SSR	Surrounding temperature						
	°C °F	20 68	30 86	40 104	50 122	60 140	70 158
RK 2.. (per pole)	50	50	48	43.5	38.5	33.5	28
	51	50	50	48	42.5	37	31
	75	67	61	55	48.5	42	35.5

 Thermal compound, HTS02S

1x 1-phase SSR	Surrounding temperature						
	°C °F	20 68	30 86	40 104	50 122	60 140	70 158
RA..L RA..T	10	10	10	10	10	10	10
	25	25	25	25	23.5	20.5	17
RA..	25	25	25	25	25	22.5	18
	50	50	50	44.5	38.5	32	25
	90	73	69	61	52.5	44	34.5
	110	84	79	69.5	59.5	49.5	39
RA60..	50	50	49.5	44	38	32	25.5
RA2A.. (per pole)	25	25	25	25	25	24.5	21
	40	40	39	35	31.5	27.5	23.5
	25M	25	25	25	25	24.5	21
	40M	40	40	36	32	28	23.5
RS1A..	10	10	10	10	10	9	7
	25	25	25	25	25	25	25
	40	40	40	40	40	40	33
RS1A..E	25	25	25	22.5	19.5	17	14
	40	33	31.5	27.5	24	20.5	17
RM1A.. RM1B.. RM1C..	25	25	25	25	25	25	25
	50	50	50	50	50	43.5	33
	75	75	75	75	66	53.5	40
	100	100	96	86.5	73	58.5	43.5
RM1A60.. RM1B60.. RM1C60.. RM1E60..	50	50	50	50	45	39.5	33
	25	25	25	25	25	25	25
	50	50	50	50	50	43.5	33
	75	75	75	75	66	53.5	40
	100	86.5	82.5	75	66	53.5	40
RAM1A.. RAM1B.. RM1E..	125	100.5	96	86.5	73	58.5	43.5
	10	10	10	10	10	10	10
	20	20	20	20	20	20	20
	50	50	50	50	50	50	42
	100	100	100	100	100	88	68.5
RM1D060	20	20	20	20	20	20	20
	50	50	50	50	49	44.5	39
RM1D200	20	20	20	20	20	20	20
	50	50	50	50	49	44.5	39
RM1D500	10	10	10	10	10	10	10

 Thermal compound, HTS02S

1x 1-phase SSR	Surrounding temperature						
	°C °F	20 68	30 86	40 104	50 122	60 140	70 158
RGS1..E RGS1P..E (per pole)	25	25	25	25	25	25	25
	50	50	50	50	50	50	43
	51	50	50	50	50	48.5	42.5
	75	75	75	71	63.5	56	48
	90 91 92	87	83	75.5	68	60	51.5
RGS1..U	20	20	20	20	20	20	20
	30	30	30	30	30	30	30
RGS1S..E	20	23	23	23	23	23	23
	30	30	30	30	30	30	30
	31	30	30	30	30	30	30
	92	87	83	75.5	68	60	51.5
RGS1S..U	61	65	65	65	65	60	51.5
RGS1D..	15	15	15	15	15	15	15
	25	25	25	25	25	25	23.5

 Thermal pad KK071CUT for 1-phase SSRs, RGHT for RG SSRs

1x 1-phase SSR	Surrounding temperature						
	°C °F	20 68	30 86	40 104	50 122	60 140	70 158
RA..L RA..T	10	10	10	10	10	10	10
	25	25	25	23.5	20.5	18	14.5
RA..	25	25	25	25	24.5	20.5	16
	50	46.5	44	38.5	33	27.5	21.5
	90	59.5	56	49.5	42.5	35	27.5
	110	67	63	55	47	39	30.5
RA60..	50	45.5	43	38	33	27.5	22
RA2A.. (per pole)	25	25	25	25	25	22	19
	40	36.5	34.5	31.5	28	24.5	21
	25M	25	25	25	25	22	19
	40M	37	35.5	32	28.5	25	21
RS1A..	10	10	10	10	10	8.5	6.5
	25	25	25	25	25	25	25
	40	40	40	40	40	33.5	25
RS1A..E	25	23.5	22.5	20	17.5	15	12
	40	28	26.5	23.5	20.5	17.5	14.5
RM1A.. RM1B.. RM1C..	25	25	25	25	25	25	25
	50	50	50	48.5	41.5	33.5	25
	75	69.5	65	56.5	47.5	38.5	28.5
	100	77	72	62	52	41.5	30.5
RM1A60.. RM1B60.. RM1C60.. RM1E60..	50	50	48	43.5	39	33.5	25.5
RAM1A.. RAM1B.. RM1E..	25	25	25	25	25	25	23
	50	50	50	48.5	41.5	33.5	25
	75	69.5	65	56.5	47.5	38.5	28.5
	100	69.5	65	56.5	47.5	38.5	28.5
	125	77	72	62	52	41.5	30.5
RM1D060	10	10	10	10	10	10	10
	20	20	20	20	20	20	20
	50	50	50	50	50	48.5	38
	100	100	100	100	90.5	76.5	59.5
RM1D200	20	20	20	20	20	20	18
	50	50	49.5	46.5	42.5	39	34
RM1D500	10	10	10	10	10	10	10

Thermal pad KK071CUT for 1-phase SSRs, RGHT for RG SSRs

1x 1-phase SSR	Surrounding temperature						
	°C °F	20 68	30 86	40 104	50 122	60 140	70 158
RGS1..E RGS1P..E (per pole)	25	25	25	25	25	25	25
	50	50	50	47	42	37	31.5
	51	50	50	46	41.5	36.5	31.5
	75	61.5	58.5	53	47.5	41.5	35.5
	90 91 92	65	62	56.5	50.5	44	38
RGS1..U	20	20	20	20	20	20	20
	30	30	30	30	30	30	30
RGS1S..E	20	23	23	23	23	23	23
	30	30	30	30	30	30	30
	31	30	30	30	30	30	30
	92	65	62	56.5	50.5	44	38
RGS1S..U	61	65	62	56.5	50.5	44	38
RGS1D..	15	15	15	15	15	15	15
	25	25	25	24	22	19	17

References

CARLO GAVAZZI compatible components

Purpose	Component name/code	Notes
Thermal pads	KK071CUT	Packing qty. 50 pcs, suitable for 1-phase SSRs
	RGHT	Packing qty. 10 pcs, suitable for RG SSRs
Phase change thermal pad	RKHT	Packing qty. 10 pcs, suitable for RK series
Thermal compound	HTS02S	2.38 ml sachet of silicon based thermal compound
Fans	RHSF40-24	24 VDC, 40x40mm
Screw Kits	SRWKITM5X10MM	Packing qty. 20 pcs.
	SRWKITM5X30MM	Packing qty. 20 pcs.

Further reading

Information	Where to find it
Online heatsink selector tool	https://gavazziautomation.com/nsc/HQ/EN/solid_state_relays
Accessories	https://gavazziautomation.com/images/PIM/DATASHEET/ENG/SSR_Accessories.pdf

Order code


RHS540F40-24


COPYRIGHT ©2020

 Content subject to change. Download the PDF: <https://gavazziautomation.com>