



CARLO GAVAZZI

IO-Link

capacitive sensors

CA18FA, CA30FA

Instruction manual

Betriebsanleitung

Manuel d'instructions

Manual de instrucciones

Manuale d'istruzione

Brugervejledning

使用手册

ENGLISH.....	3
DEUTSCH.....	32
FRANÇAIS.....	62
ESPAÑOL.....	92
ITALIANO.....	122
DANSK.....	152
中文 第页.....	182

Table of contents

1. Introduction	4
1.1 Description	4
1.2 Validity of documentation	4
1.3 Who should use this documentation	4
1.4 Use of the product	4
1.5 Safety precautions	4
1.6 Other documents	4
1.7 Acronyms	5
2. Product	6
2.1 Main features	6
2.2 Identification number	6
2.3 Operating modes	7
2.3.1 SIO mode	7
2.3.2 IO-Link mode	7
2.4 Output Parameters	8
2.4.1. Sensor front	8
2.4.2. Input selector	11
2.4.3. Logic function block	11
2.4.4. Timer (Can be set individually for Out1 and Out2)	13
2.4.5. Output Inverter	16
2.4.6. Output stage mode	16
2.5. Teach procedure	17
2.5.1. External Teach (Teach-by-wire)	17
2.5.2. Teach from IO-Link Master	17
2.6. Sensor Specific adjustable parameters	20
2.6.1. Selection of local or remote adjustment	20
2.6.2. Process data and variables	20
2.6.3. Sensor application setting	20
2.6.4. Temperature alarm threshold	20
2.6.5. Safe limits	21
2.6.6. Event configuration	21
2.6.7. Quality of run QoR	21
2.6.8. Quality of Teach QoT	22
2.6.9. Filter Scaler	22
2.6.10. LED indication	22
2.7. Diagnostic parameters	23
3. Wiring diagrams	24
4. Commissioning	24
5. Operation	25
5.1. User interface of CA18FA...IO and CA30FA... IO	25
6. IODD file and factory setting	26
6.1. IODD file of an IO-Link device	26
6.2. Factory settings	26
7. Appendix	26
7.1. Acronyms	26
7.2. IO-Link Device Parameters for CA18FA.. and CA30FA..	27
7.2.1. Device parameters	27
7.2.2. SSC parameters	28
7.2.3. Output Parameters	29
7.2.4. Sensor specific adjustable parameters	30
7.2.5. Diagnostic parameters	31
Dimensions	212
Mounting	212
Detection Stability	213
Installation Hints	214

1. Introduction

This manual is a reference guide for Carlo Gavazzi IO-Link capacitive proximity sensors CA18FA...IO and CA30FA...IO. It describes how to install, setup and use the product for its intended use.

1.1 Description

Carlo Gavazzi capacitive sensors are devices designed and manufactured in accordance with IEC international standards and are subject to the Low Voltage (2014/35/EU) and Electromagnetic Compatibility (2014/30/EU) EC directives.

All rights to this document are reserved by Carlo Gavazzi Industri, copies may be made for internal use only.

Please do not hesitate to make any suggestions for improving this document.

1.2 Validity of documentation

This manual is valid only for CA18 and CA30 capacitive sensors with IO-Link and until new documentation is published.

This instruction manual describes the function, operation and installation of the product for its intended use.

1.3 Who should use this documentation

This manual contains important information regarding installation and must be read and completely understood by specialized personnel dealing with these proximity capacitive sensors.

We highly recommend that you read the manual carefully before installing the sensor. Save the manual for future use. The Installation manual is intended for qualified technical personnel.

1.4 Use of the product

Capacitive proximity sensors are non-contact devices capable of measuring the position and/or change of position of any conductive target. They are also capable of measuring thickness or density of non-conductive materials. Capacitive proximity sensors are used in a wide variety of applications including plastic moulding processing, feeding systems for chicken or pigs, assembly line testing, filling or emptying processes of solid or liquid objects.

The CA18FA...IO and CA30FA...IO sensors are equipped with IO-Link communication. By using an IO-Link master it is possible to operate and configure these devices.

1.5 Safety precautions

This sensor must not be used in applications where personal safety depends on the function of the sensor (The sensor is not designed according to the EU Machinery Directive).

Installation and use must be carried out by trained technical personnel with basic electrical installation knowledge.

The installer is responsible for correct installation according to local safety regulations and must ensure that a defective sensor will not result in any hazard to people or equipment. If the sensor is defective, it must be replaced and secured against unauthorised use.

1.6 Other documents

It is possible to find the datasheet, the IODD file and the IO-Link parameter manual on the Internet at <http://gavazziautomation.com>

1.7 Acronyms

I/O	Input/Output
PD	Process Data
PLC	Programmable Logic Controller
SIO	Standard Input Output
SP	Setpoints
IODD	I/O Device Description
IEC	International Electrotechnical Commission
NO	Normally Open contact
NC	Normally Closed contact
NPN	Pull load to ground
PNP	Pull load to V+
Push-Pull	Pull load to ground or V+
QoR	Quality of Run
QoT	Quality of Teach
UART	Universal Asynchronous Receiver-Transmitter
SO	Switching Output
SSC	Switching Signal Channel

2. Product

2.1 Main features





New IO-Link Carlo Gavazzi 4-wire DC 4th Generation Tripleshield sensors, built to the highest quality standards, are available in two different housing sizes.

- CA18FA.. PTFE M18-cylindrical threaded barrel housing for flush or non-flush installation with 4-pole M12 connector or 2 metre PVC cable.
- CA30FA.. PTFE M30-cylindrical threaded barrel housing for flush or non-flush installation with 4-pole M12 connector or 2 metre PVC cable.

They can operate in standard I/O mode (SIO), which is the default operation mode. When connected to an IO-Link master, they automatically switch to IO-Link mode and can be operated and easily configured remotely.

Thanks to their IO-Link interface, these devices are much more intelligent and feature many additional configuration options, such as the settable sensing distance and hysteresis, also timer functions of the output. Advanced functionalities such as the Logic function block and the possibility to convert one output into an external input makes the sensor highly flexible in solving decentralized sensing tasks.

2.2 Identification number

Code	Option	Description
C	-	Sensing principle: Capacitive Sensor
A	-	Cylindrical housing with threaded barrel
	18	M18 housing
	30	M30 housing
F	-	PTFE housing
A	-	Axial sensing
	F	Flush installation
	N	Non-flush installation
	08	8 mm sensing distance (for CA18...)
	12	12 mm sensing distance (for CA18...)
	16	16 mm sensing distance (for CA30...)
	25	25 mm sensing distance (for CA30...)
B	-	Selectable functions: NPN, PNP, Push-Pull, External Input (only pin 2), External teach input (only pin 2)
P	-	Selectable: NO or NC
	A2	2 metre PVC cable
	M1	M12, 4-pole connector
IO	-	IO-Link version

Additional characters can be used for customized versions.

2.3 Operating modes

IO-Link capacitive sensors are provided with two switching outputs (SO) and can operate in two different modes: SIO mode (standard I/O mode) or IO-Link mode.

2.3.1 SIO mode

When the sensor operates in SIO mode (default), an IO-Link master is not required. The device works as a standard capacitive sensor, and it can be operated via a fieldbus device or a controller (e.g. a PLC) when connected to its PNP, NPN or push-pull digital inputs (standard I/O port). One of the greatest benefits of these capacitive sensors is the possibility to configure them via an IO-Link master and then, once disconnected, they will keep the last parameter and configuration settings. In this way it is possible, for example, to configure the outputs of the sensor individually as a PNP, NPN or push-pull, or to add timer functions such as T-on and T-off delays or logic functions and thereby satisfy several application requirements with the same sensor.

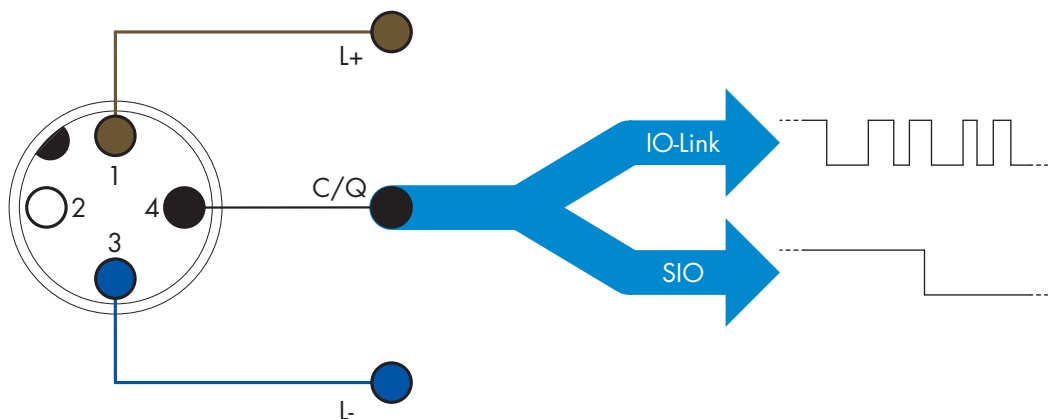
2.3.2 IO-Link mode

IO-Link is a standardized IO technology that is recognized worldwide as an international standard (IEC 61131-9).

It is today considered to be the "USB interface" for sensors and actuators in the industrial automation environment.

When the sensor is connected to one IO-Link port, the IO-Link master sends a wakeup request (wake up pulse) to the sensor, which automatically switches to IO-Link mode: point-to-point bidirectional communication then starts automatically between the master and the sensor.

IO-Link communication requires only standard 3-wire unshielded cable with a maximum length of 20 m.



IO-Link communication takes place with a 24 V pulse modulation, standard UART protocol via the switching and communication cable (combined switching status and data channel C/Q) PIN 4 or black wire.

For instance, an M12 4-pin male connector has:

- Positive power supply: pin 1, brown
- Negative power supply: pin 3, blue
- Digital output 1: pin 4, black
- Digital output 2: pin 2, white

The transmission rate of CA18FA...IO or CA30FA...IO, sensors is 38.4 kBaud (COM2).

Once connected to the IO-Link port, the master has remote access to all the parameters of the sensor and to advanced functionalities, allowing the settings and configuration to be changed during operation, and enabling diagnostic functions, such as temperature warnings, temperature alarms and process data.

Thanks to IO-Link it is possible to see the manufacturer information and part number (Service Data) of the device connected, starting from V1.1. Thanks to the data storage feature it is possible to replace the device and automatically have all the information stored in the old device transferred into the replacement unit.

Access to internal parameters allows the user to see how the sensor is performing, for example by reading the internal temperature.

Event Data allows the user to get diagnostic information such as an error, an alarm, a warning or a communication problem.

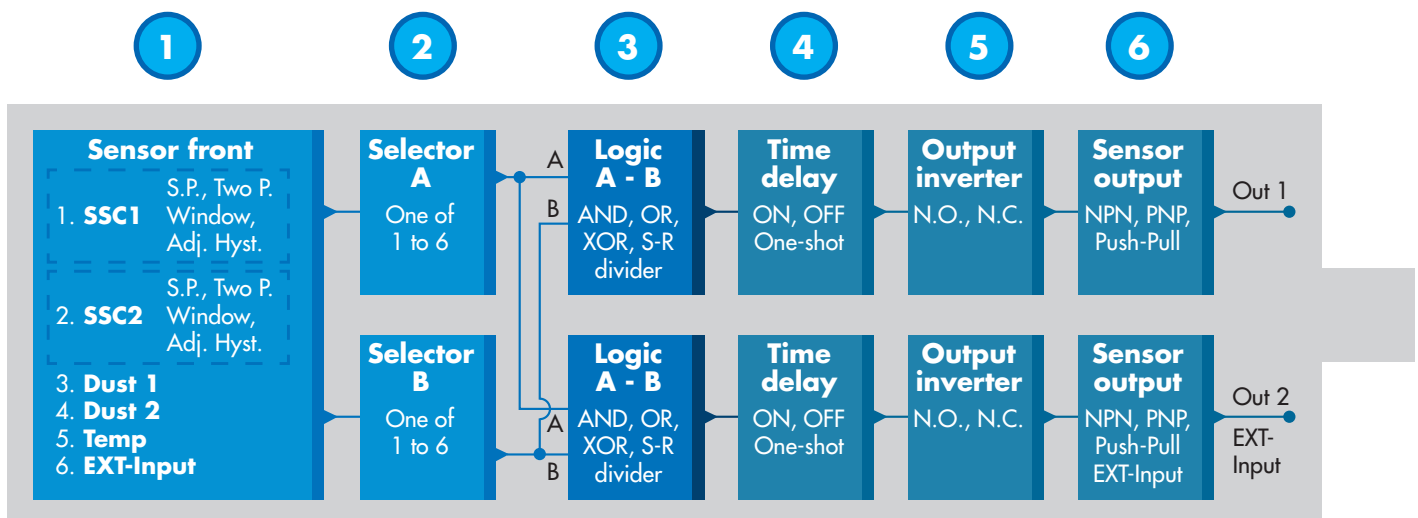
There are two different communication types between the sensor and the master and they are independent of each other:

- Cyclical for process data and value status – this data is exchanged cyclically.
- Acyclical for parameter configuration, identification data, diagnostic information and events (e.g. error messages or warnings) – this data can be exchanged on request.

2.4 Output Parameters

The sensor measures five different physical values. These values can be independently adjusted and used as source for the Switching Output 1 or 2; in addition to those an external input can be selected for SO2. After selecting one of these sources, it is possible to configure the output of the sensor with an IO-Link master, following the six steps shown in the Switching Output setup below.

Once the sensor has been disconnected from the master, it will switch to the SIO mode and keep the last configuration setting.



1

2.4.1. Sensor front

When an object, solid or liquid, approaches the face of the sensor, the capacitance of the detecting circuit is influenced and the sensor output changes its status.

2.4.1.1. SSC (Switching Signal Channel)

For presence (or absence of presence) detection of an object in front of the face of the sensor, the following settings are available: SSC1 or SSC2.

The setpoints can be set from 0 to 10.000 units which represent the change of capacitance of the detecting circuit. The higher the value, the closer the target appears to the sensing face of the sensor, also a higher dielectric value of the target will increase the value. E.g. a metal target has a higher dielectric value than a plastic target.

2.4.1.2. Switchpoint mode:

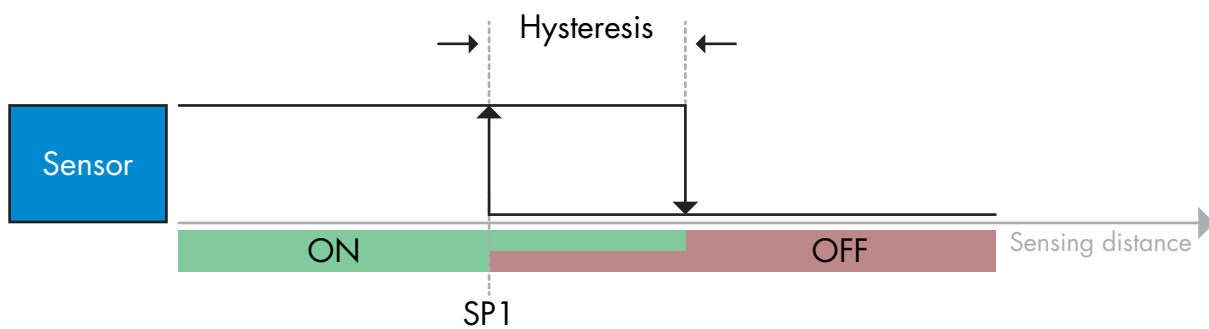
The Switchpoint mode setting can be used to create more advanced output behaviour. The following switchpoint modes can be selected for the switching behaviour of SSC1 and SSC2

Disabled

SSC1 or SSC2 can be disabled individually, but this will also disable the output if it is selected in the input selector (the logic value will always be "0").

Single point mode

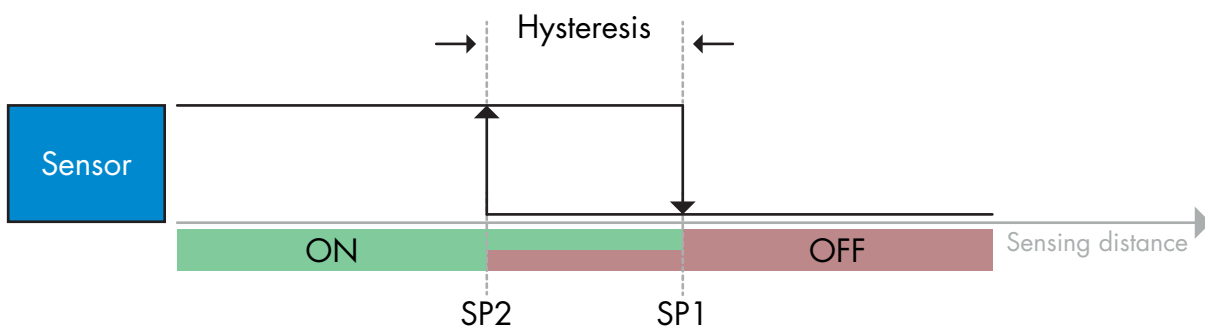
The switching information changes, when the measurement value passes the threshold defined in setpoint SP1, with rising or falling measurement values, taking into consideration the hysteresis.



Example of presence detection - with non-inverted logic

Two point mode

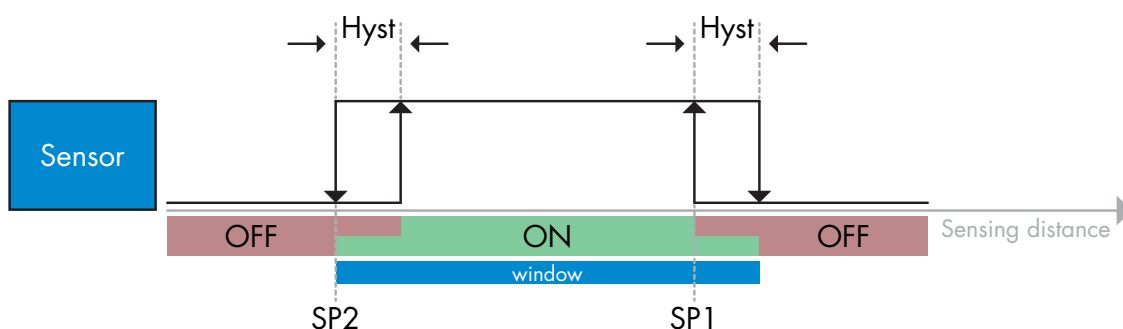
The switching information changes when the measurement value passes the threshold defined in setpoint SP1. This change occurs only with rising measurement values. The switching information also changes when the measurement value passes the threshold defined in setpoint SP2. This change occurs only with falling measurement values. Hysteresis is not considered in this case.



Example of presence detection - with non-inverted logic

Window mode

The switching information changes, when the measurement value passes the thresholds defined in setpoint SP1 and setpoint SP2, with rising or falling measurement values, taking into consideration the hysteresis.



Example of presence detection - with non-inverted logic

2.4.1.3. Hysteresis Settings

In SSC1 and SSC2 - single point mode and in windows mode the hysteresis can be set between 1 and 100 % of the actual switching value. Standard settings depend on the sensing type:

CA18FAF...	4%
CA18FAN...	15%
CA30FAF...	5%
CA30FAN...	10%

(SP2 + Hysteresis < SP1) & (SP1 + hysteresis < Sensing range upper limit).

Information

An extended hysteresis is generally used to solve vibration or EMC issues in the application.

2.4.1.4. Dust alarm 1 and Dust alarm 2

The safe limit between when the sensing output is switching and the value at which the sensor can detect safely even with a slightly build up of dust, can be set.

See 2.6.5 Safe limits.

2.4.1.5. Temperature alarm (TA)

The sensor constantly monitors the internal temperature in the front part of the sensor. Using the temperature alarm setting it is possible to get an alarm from the sensor if temperature thresholds are exceeded. See §2.6.4

The temperature alarm has two separate values, one for setting maximum temperature and one for setting minimum temperature.

It is possible to read the temperature of the sensor via the acyclic IO-Link parameter data.

NOTE!

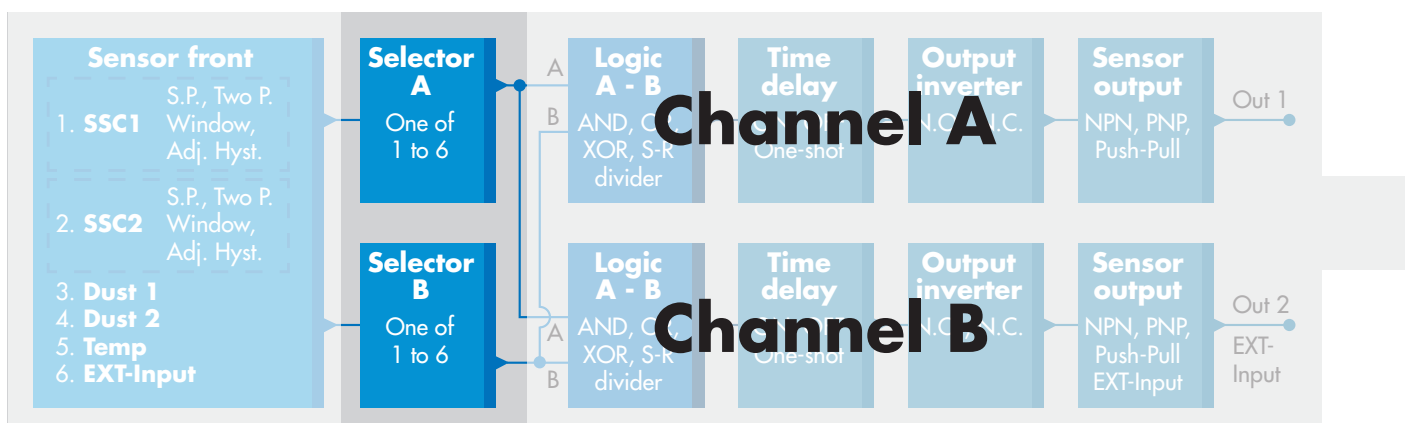
The temperature measured by the sensor will always be higher than the ambient temperature, due to internal heating.

The difference between ambient temperature and internal temperature is influenced by how the sensor is installed in the application. If the sensor is installed in a metal bracket the difference will be lower than if the sensor is mounted in a plastic one.

2.4.1.6. External input

The output 2 (SO2) can be configured as an external input allowing external signals to be fed into the sensor, this can be from a second sensor or from a PLC or directly from machine output.

2

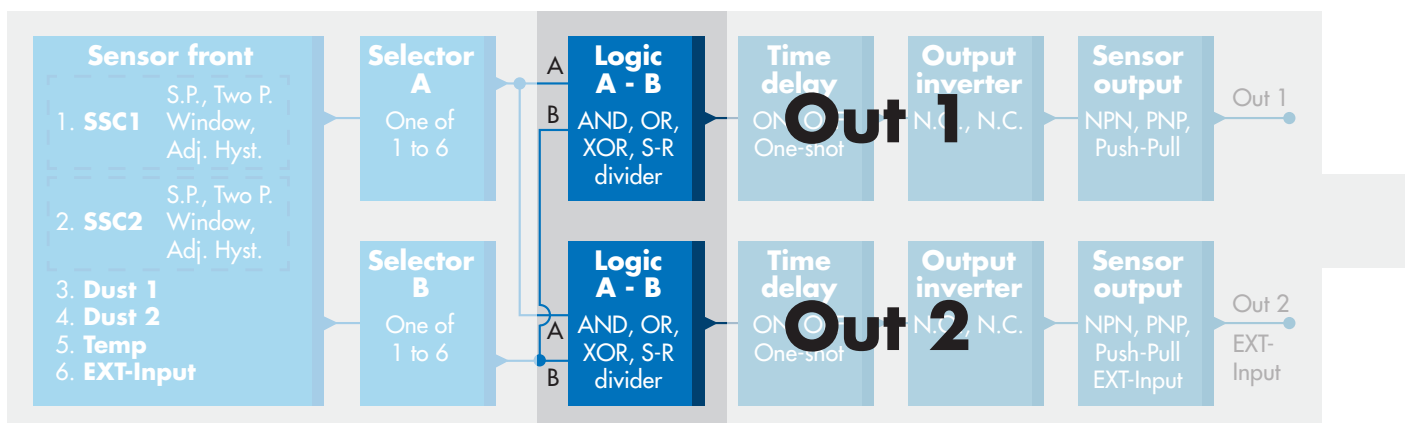


2.4.2. Input selector

This function block allows the user to select any of the signals from the “sensor front” to the Channel A or B.

Channels A and B: can select from SSC1, SSC2, Dust1, Dust2, Temperature alarm and external input.

3

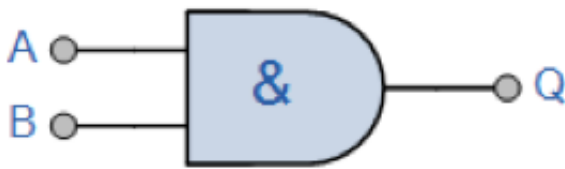


2.4.3. Logic function block

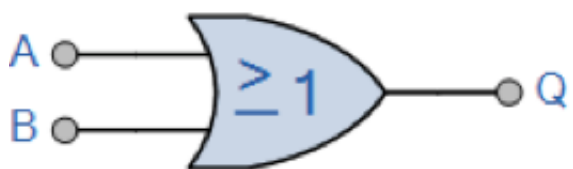
In the logic function block a logic function can be added directly to the selected signals from the input selector without using a PLC – making decentralised decisions possible.

The logic functions available are: AND, OR, XOR, SR-FF.

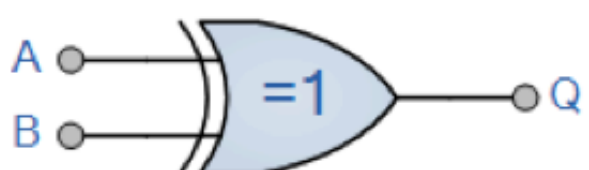
AND function

Symbol	Truth table		
 <p>2-input AND Gate</p>	A	B	Q
	0	0	0
	0	1	0
	1	0	0
	1	1	1
Boolean Expression Q = A.B	Read as A AND B gives Q		

OR function

Symbol	Truth table		
 <p>2-input OR Gate</p>	A	B	Q
	0	0	0
	0	1	1
	1	0	1
	1	1	1
Boolean Expression Q = A + B	Read as A OR B gives Q		

XOR function

Symbol	Truth table		
 <p>2-input XOR Gate</p>	A	B	Q
	0	0	0
	0	1	1
	2-input OR Gate		1
	1	1	0
Boolean Expression Q = A ⊕ B	A OR B but NOT BOTH gives Q		

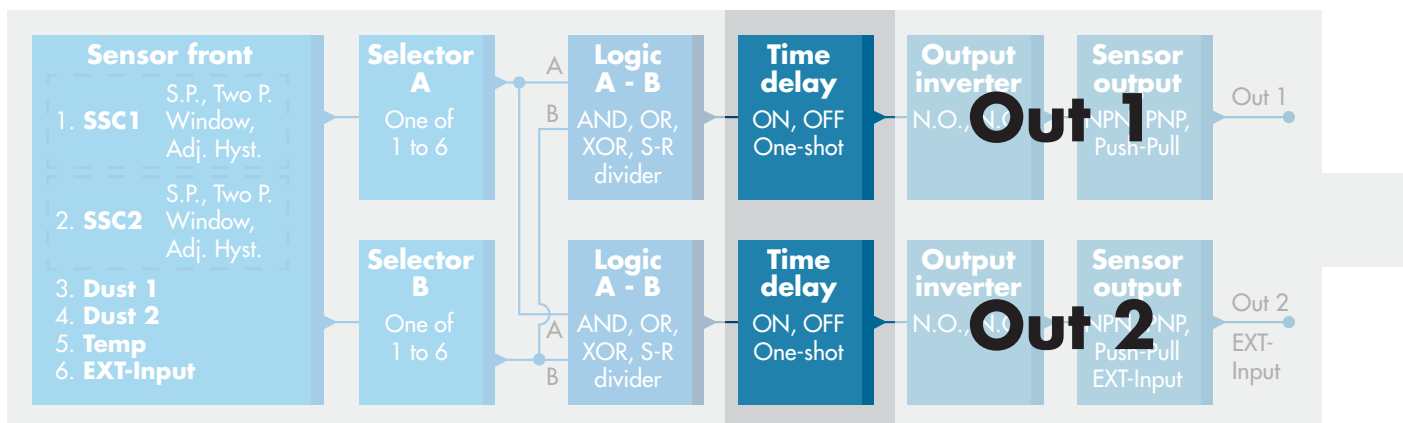
"Gated SR-FF" function

The function is designed (to: e.g. function) as a filling or emptying function using only two interconnected sensors

Symbol	Truth table		
	A	B	Q
	0	0	0
	0	1	X
	1	0	X
	1	1	1

X – no changes to the output.

4



2.4.4. Timer (Can be set individually for Out1 and Out2)

The Timer allows the user to introduce different timer functions by editing the 3 timer parameters:

- Timer mode
- Timer scale
- Timer value

2.4.4.1. Timer mode

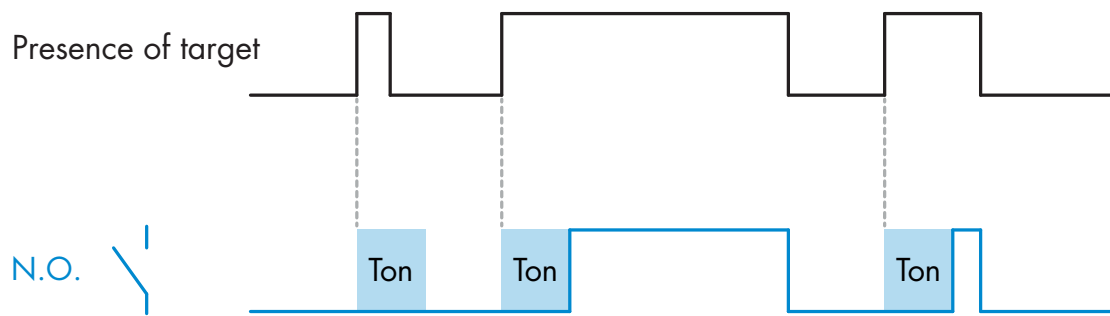
This selects which type of timer function is introduced on the Switching Output. Any one of the following is possible:

2.4.4.1.1. Disabled

This option disables the timer function no matter how the timer scale and timer delay is set up.

2.4.4.1.2. Turn On delay (T-on)

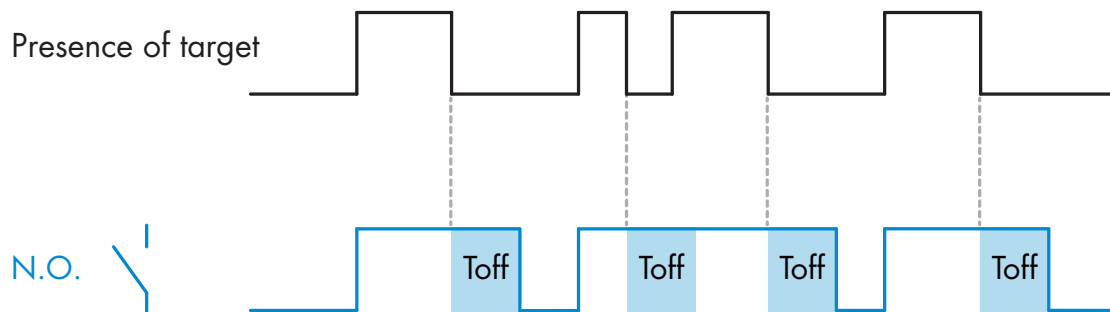
The activation of the switching output is generated after the actual sensor actuation as shown in the figure below.



Example with normally open output

2.4.4.1.3. Turn Off delay (T-off)

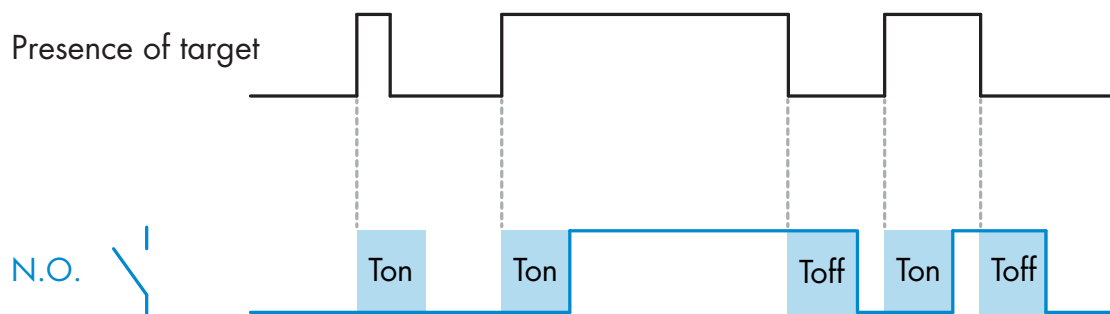
The deactivation of the switching output is delayed until after to the time of removal of the target in the front of the sensor, as like shown in the figure below.



Example with normally open output

2.4.4.1.4. Turn ON and Turn Off delay (T-on and T-off)

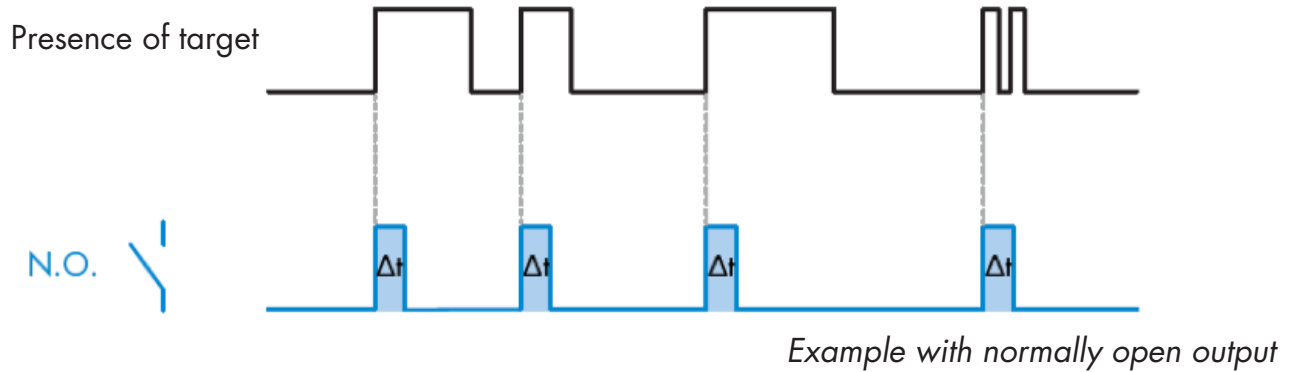
When selected, both the T-on and the T-off delays are applied to the generation of the switching output.



Example with normally open output

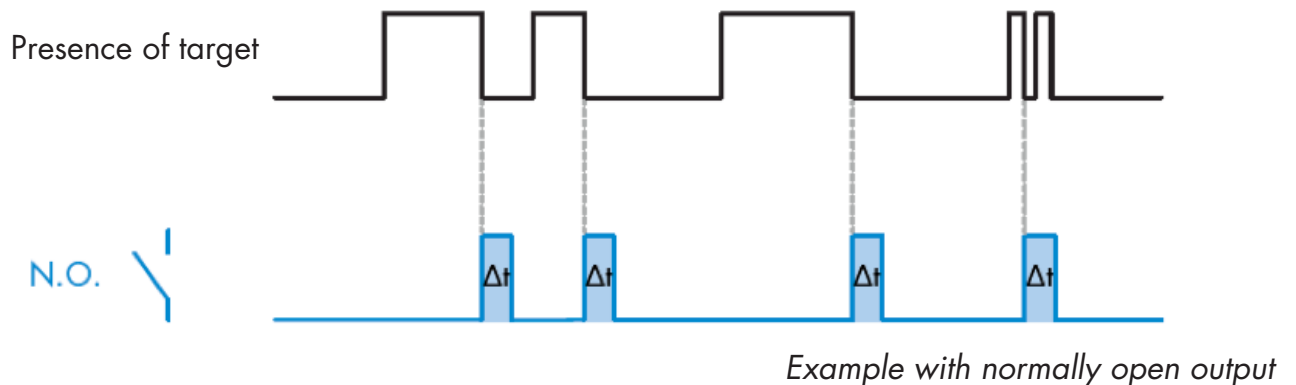
2.4.4.1.5. One shot leading edge

Each time a target is detected in front of the sensor the switching output generates a pulse of constant length on the leading edge of the detection. See figure below.



2.4.4.1.6. One shot trailing edge

Similar in function to the one shot leading edge mode, but in this mode the switching output is changed on the trailing edge of the activation as shown in the figure below.



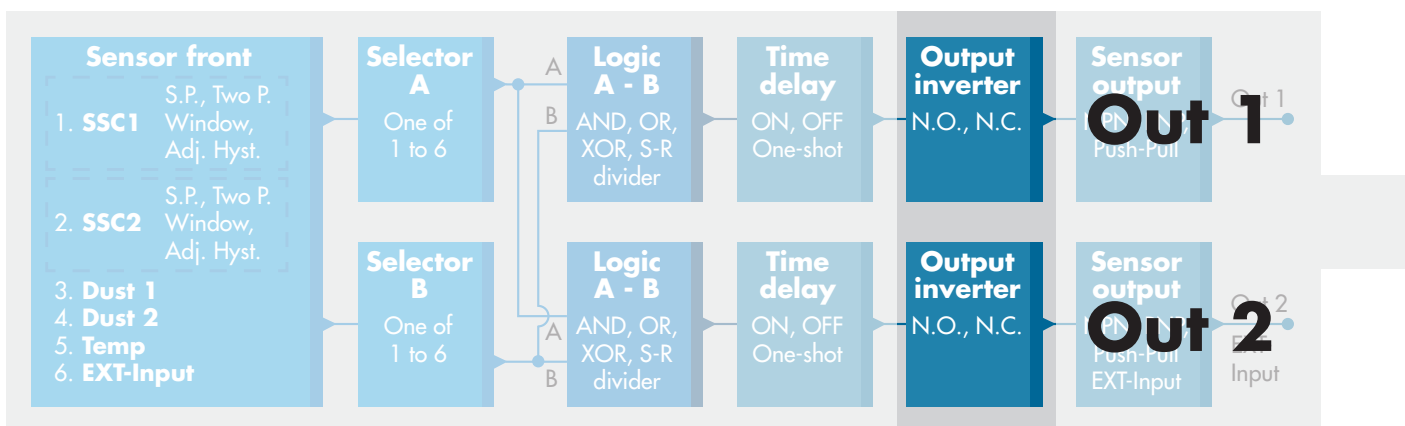
2.4.4.1.7. Timer scale

The parameter defines if the delay specified in the Timer delay should be in milliseconds, seconds or minutes

2.4.4.1.8. Timer Value

The parameter defines the actual duration of the delay. The delay can be set to any integer value between 1 and 32 767

5



2.4.5. Output Inverter

This function allows the user to invert the operation of the switching output between Normally Open and Normally Closed.

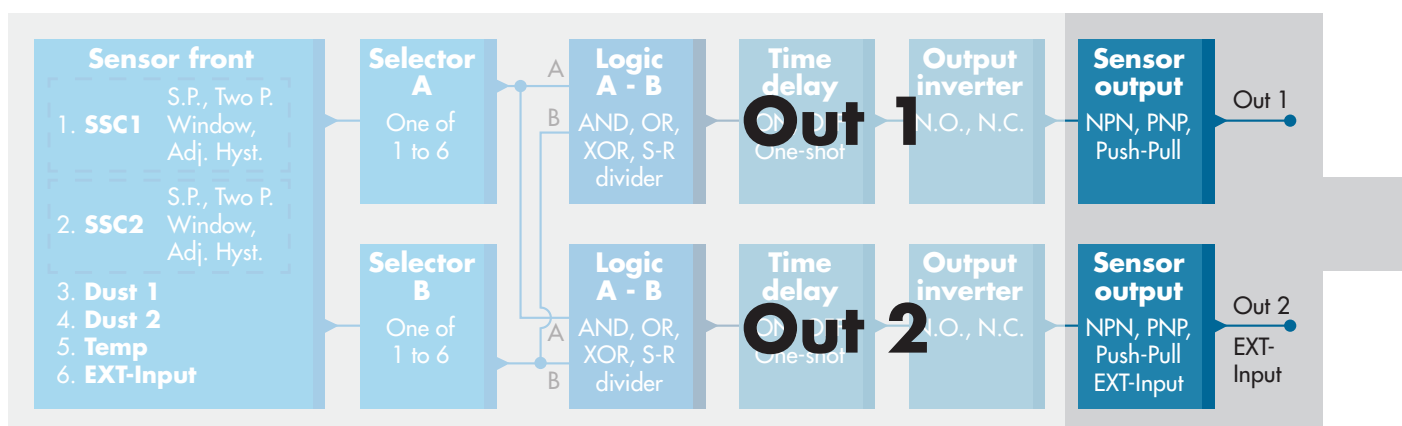
RECOMMENDED FUNCTION

The recommended function is found in the parameters under 64 (0x40) sub index 8 (0x08) for SO1 and 65 (0x41) sub index 8 (0x08) for SO2. It has no negative influence on the Logic functions or the timer functions of the sensor as it is added after those functions.

CAUTION!

The Switching logic function found under 61 (0x3D) sub index 1 (0x01) for SSC1 and 63 (0x3F) sub index 1 (0x01) for SSC2 are not recommended for use as they will have a negative influence on the logic or timer functions. Using this function will turn an ON delay into an Off delay if it is added for the SSC1 and SSC2. It is only for the SO1 and SO2.

6



2.4.6. Output stage mode

In this function block the user can select if the switching outputs should operate as:

SO1: Disabled, NPN, PNP or Push-Pull configuration.

SO2: Disabled, NPN, PNP, Push-Pull, External input (Active high/Pull-down), External input (Active low/pull up) or External Teach input.

2.5. Teach procedure

2.5.1. External Teach (Teach-by-wire)

NB! This function works in single point mode and only for SP1 in SSC1.

The Teach-by-wire must be set up first using an IO-link master:

- Select: "2=Teach by wire" in the Selection of local/remote adjustment parameters 68 (0x44).
- Select: "1=Single Point Mode", is already selected in "SSC1 Configuration" 61(0x3D), "Mode 1" 2(0x02), (this value should already be set as default).
- Select: 6=Teach-In (Active High) in Channel 2 (SO2) 65 (0x41) sub index 1 (0x01).

Teach-by-wire procedure.

- Place the target in front of the sensor and connect the teach-by-wire input (pin 2 white wire) to V+ (pin 1 brown wire). The yellow LED will Flash with 1Hz (ON 100mS and OFF 900 mS).
- Within 3-6 seconds the wire must be disconnected, and the yellow led will be flashing with 1Hz (ON 900 mS and OFF 100 mS).
- After a successful Teach the yellow LED will flash with 2 Hz (ON 250 mS and OFF 250 mS).

NB! If the Teach procedure is to be cancelled do not remove the wire after 3 to 6 seconds but keep the connection for 12 secs until the yellow LED is flashing with 10 Hz (On 50 mS and off 50 mS).

2.5.2. Teach from IO-Link Master

- To enable Teach from the IO-Link master first disable the trimmer input:

Select: "0=Disabled" in the Selection of local/remote adjustment parameters 68 (0x44).

- The individual team commands can be written to index 2.

2.5.2.1. Single point mode procedure

Select the Switching channel to be taught

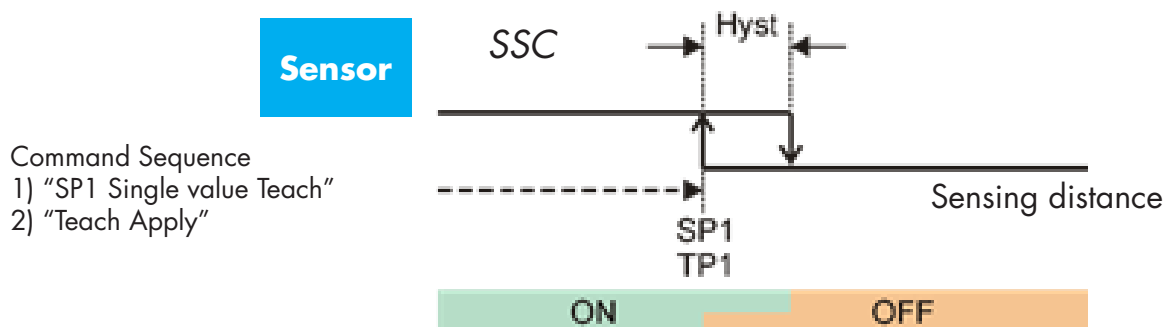
- Select: 1=SSC1 or 2=SSC2 in the "Teach-in Select" 58(0x3A) or 255 = All SSC.
- Change the Hysteresis if requested for SSC1 or SSC2.
 - "SSC1 configuration" 61(0x3D) "Hysteresis" 3(0x03).
 - "SSC2 configuration" 62(0x3E) "Hysteresis" 3(0x03).

NB! It is not recommended to change the hysteresis below the values stated in the SSC parameter list.

1) Single value teach command sequence:

#65"SP1 Single value teach"

#64"Teach apply" (optional command)

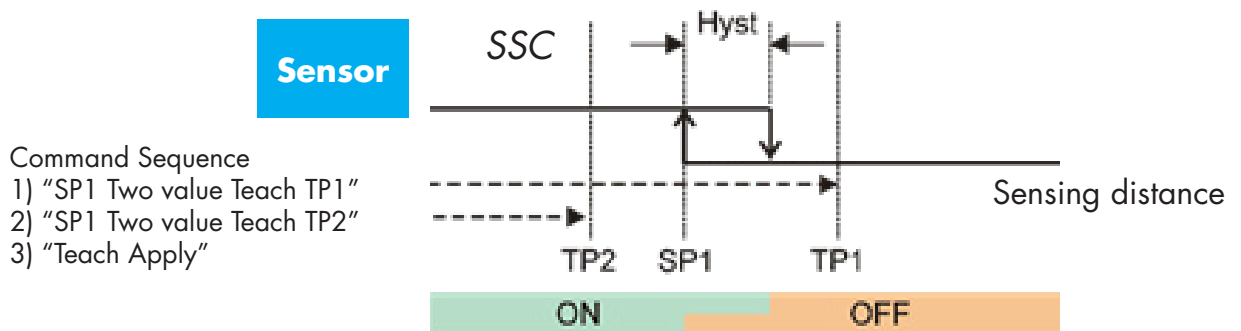


2) Dynamic teach command sequence

- #71 "SP1 dynamic teach start"
- #72 "SP1 dynamic teach stop"
- #64 "Teach apply" (optional command)

3) Two value teach command sequence

- #67 "SP1 two value teach TP1"
- #68 "SP1 two value teach TP2"
- #64 "Teach apply" (optional command)

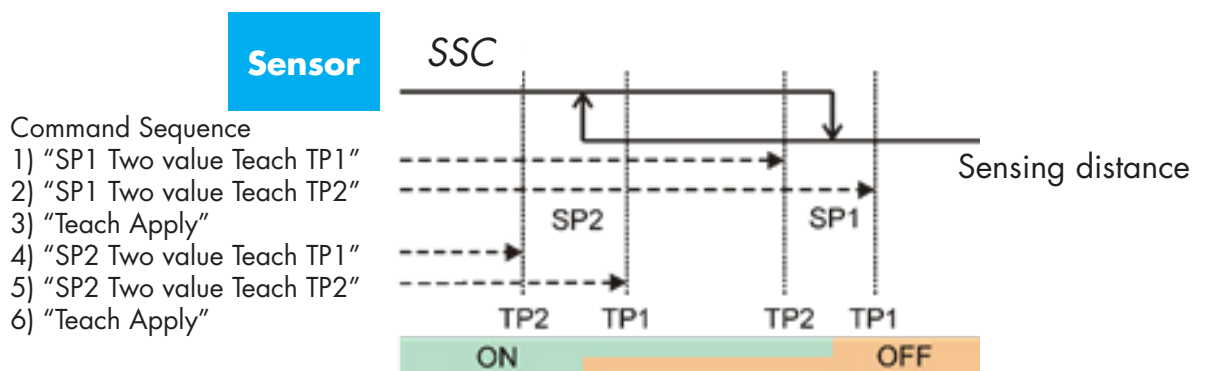


2.5.2.2. Two point mode procedure

1) Two value teach command sequence:

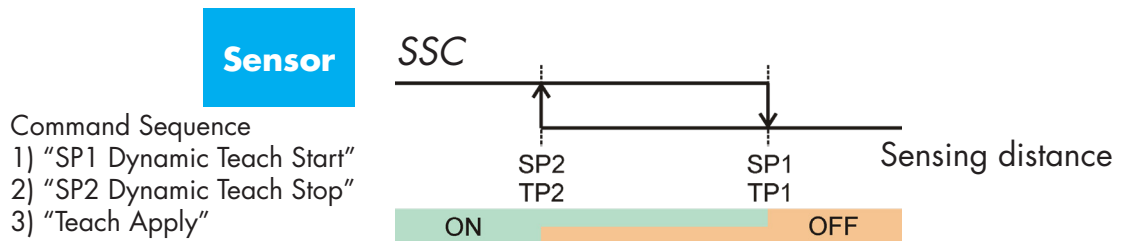
- #67 "SP1 two value teach TP1"
- #68 "SP1 two value teach TP2"
- #64 "Teach apply" (optional command)

- #69 "SP2 two value teach TP1"
- #70 "SP2 two value teach TP2"
- #64 "Teach apply" (optional command)



2) Dynamic teach command sequence:

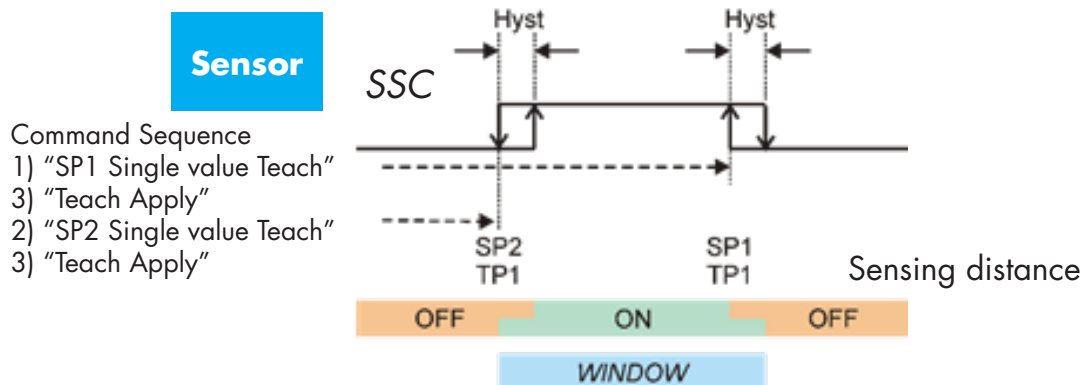
- #71 "SP1 dynamic teach start"
- #72 "SP1 dynamic teach stop"
- #73 "SP2 dynamic teach start"
- #74 "SP2 dynamic teach stop"
- #64 "Teach apply" (optional command)



2.5.2.3. Windows mode procedure

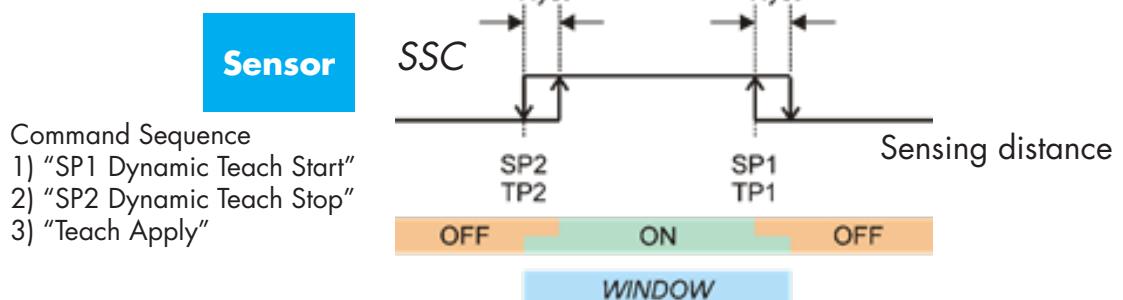
1) Single value teach command sequence:

- #65 "SP1 Single value teach"
- #66 "SP2 Single value teach"
- #64 "Teach apply" (optional command)



2) Dynamic teach command sequence:

- #71 "SP1 dynamic teach start"
- #72 "SP1 dynamic teach stop"
- #73 "SP2 dynamic teach start"
- #74 "SP2 dynamic teach stop"
- #64 "Teach apply" (optional command)



2.6. Sensor Specific adjustable parameters

Besides the parameters directly related to output configuration, the sensor also have various internal parameters useful for setup and diagnostics.

2.6.1. Selection of local or remote adjustment

It is possible to select how to set the sensing distance by either selecting the Trimmer or Teach-by-wire using the external input of the sensor, or to disable the potentiometer to make the sensor tamperproof.

2.6.2. Process data and variables

When the sensor is operated in IO-Link mode, the user has access to the cyclic Process Data Variable. By default the process data shows the following parameters as active: 16 bit Analogue value, Switching Output1 (SO1) and Switching Output 2 (SO2).

The following parameters are set as Inactive: SSC1, SSC2, DA1, DA2, TA, SC.

However by changing the Process Data Configuration parameter, the user can decide to also enable the status of the inactive parameters. This way several states can be observed in the sensor at the same time.

Byte 0	31	30	29	28	27	26	25	24
	MSB							
Byte 1	23	22	21	20	19	18	17	16
								LSB
Byte 2	15	14	13	12	11	10	9	8
			SC	TA	DA2	DA1	SSC2	SSC1
Byte 3	7	6	5	4	3	2	1	0
							SO2	SO1

4 Bytes

Analogue value 16 ... 31 (16 BIT)

2.6.3. Sensor application setting

The sensor has 3 pre-settings depending on the application:

- Full scale range, the setpoints of the sensor can be adjusted at full scale and the sensing speed is set to maximum
- Liquid level: this is to be used for slow moving objects with a high dielectric value such as in the detection of water-based liquids. When this function is selected the teach and potentiometer settings are optimized to high range scaling.
In this mode the "Filter Scaler" is set to 100
- Plastic Pellets: this is to be used for slow moving objects with a low dielectric value such as in the detection of plastic pellets. When this function is selected the teach and potentiometer settings are optimized to low range scaling.
In this mode the "Filter Scaler" is set to 100.

2.6.4. Temperature alarm threshold

The temperature at which the temperature alarm will activate can be changed for the maximum and minimum temperature. This means that the sensor will give an alarm if the maximum or minimum temperature is exceeded. The temperatures can be set between -50 °C to +150 °C. The default factory settings are, Low threshold -30 °C and high threshold +120 °C.

2.6.5. Safe limits

The sensor has a built-in safety margin that helps to adjust the sensing up to the set points with an additional safety margin. The factory settings are twice the standard hysteresis of the sensor e.g. for a CA18FAN... sensor with a hysteresis of 15% the safety margin is set to 30%. This value can be set individually from 0% to 100% for SSC1 or SSC2.

2.6.6. Event configuration

Temperature events transmitted over the IO-Link interface are turned off by default in the sensor. If the user wants to get information about critical temperatures detected in the sensor application, this parameter allows the following 3 events to be enabled or disabled:

- Temperature fault event: the sensor detects temperature outside the specified operating range.
- Temperature over-run: the sensor detects temperatures higher than those set in the Temperature Alarm threshold.
- Temperature under-run: the sensor detects temperatures lower than those set in the Temperature Alarm threshold.
- Short-circuit: the sensor detects if the sensor output is short-circuited.
- Maintenance: the sensor detects if maintenance is needed, e.g. the sensor needs cleaning.

2.6.7. Quality of run QoR

The quality of run value informs the user about the actual sensing performance compared to the set-points of the sensor: the higher the value the better quality of detection.

The value for QoR can vary from 0 ... 255 %.

The QoR value is updated for every detection cycle.

Examples of QoR is listed in the table below.

Quality of run values	Definitions
> 150%	Excellent sensing conditions, the sensor is not expected to have any maintenance issues.
100%	Good sensing conditions, the sensor performs as well as when the set-points were taught or set-up manually with a safety margin of twice the standard hysteresis. <ul style="list-style-type: none"> • Long term reliability is expected for all environmental conditions. • Maintenance is not expected to be required.
50%	Average sensing conditions <ul style="list-style-type: none"> • Short-term reliability and maintenance is expected due to environmental conditions • Reliable detection can be expected with restricted environmental influence.
0%	Poor to unreliable working sensing conditions are expected.

2.6.8. Quality of Teach QoT

The quality of Teach value lets the user know how well the actually the teach procedure was carried out, in terms of the margin between the actual setpoints and the environmental influences on the sensor.

The value for QoT can vary from 0 ... 255 %.

The QoT value is updated after every Teach procedure.

Examples of QoT are listed in the table below.

Quality of teach value	Definitions
> 150%	Excellent teach conditions, the sensor is not expected to have any maintenance issues.
100%	Good teach conditions, the sensor has been taught with a safety margin of twice the standard hysteresis. <ul style="list-style-type: none"> • Long term reliability is expected for all environmental conditions. • Maintenance is not expected to be required.
50%	Average teach conditions. <ul style="list-style-type: none"> • Short-term reliability and maintenance is expected due to environmental conditions. • Reliable detection can be expected with restricted environmental influence.
0%	Poor teach result. <ul style="list-style-type: none"> • Unreliable working sensing conditions are expected. (e.g. too small measuring margin between the target and the surroundings).

2.6.9. Filter Scaler

This function can increase the immunity towards unstable targets and electromagnetic disturbances: Its value can be set from 1 to 255, the default factory setting is 1.

A filter setting of 1 gives the maximum sensing frequency and a setting of 255 gives the minimum sensing frequency.

2.6.10. LED indication

The LED indication can be configured in 3 different modes: Inactive, Active or Find my sensor.

Inactive: The LEDs are turned off at all times

Active: The LEDs follow the indication scheme in 5.1.

Find my sensor: The LEDs are flashing alternating with 2Hz with 50% duty cycle in order to easily locate the sensor.

2.7. Diagnostic parameters

2.7.1. Operating hours

The sensor has a built-in counter that logs every hour in which the sensor has been operational. The maximum hours that can be recorded are 2 147 483 647 hours: this value can be read from an IO-Link master.

2.7.2. Number of power cycles [cycles]

The sensor has a built-in counter that logs every time the sensor has been powered-up. The value is saved every hour. The maximum numbers of power cycles that can be recorded is 2 147 483 647. This value can be read from an IO-Link master.

2.7.3. Maximum temperature – all time high [°C]

The sensor has a built-in function that logs the highest temperature that the sensor has been exposed to during its full operational lifetime. This parameter is updated once per hour and can be read from an IO-Link master.

2.7.4. Minimum temperature – all time low [°C]

The sensor has a built-in function that logs the lowest temperature that the sensor has been exposed to during its full operational lifetime. This parameter is updated once per hour and can be read from an IO-Link master.

2.7.5. Maximum temperature since last power-up [°C]

From this parameter the user can get information about what the maximum registered temperature has been since start-up. This value is not saved in the sensor.

2.7.6. Minimum temperature since last power-up [°C]

From this parameter the user can get information about what the minimum registered temperature has been since start-up. This value is not saved in the sensor.

2.7.7. Current temperature [°C]

From this parameter the user can get information about the current temperature of the sensor.

2.7.8. Detection counter [cycles]

The sensor logs every time the SSC1 changes state. This parameter is updated once per hour and can be read from an IO-Link master.

2.7.9. Minutes above maximum temperature [min]

The sensor logs how many minutes the sensor has been operational above the maximum temperature. The maximum number of minutes to be recorded is 2 147 483 647. This parameter is updated once per hour and can be read from an IO-Link master.

2.7.10. Minutes below minimum temperature [min]

The sensor logs how many minutes the sensor has been operational below the minimum temperature. The maximum number of minutes to be recorded is 2 147 483 647. This parameter is updated once per hour and can be read from an IO-Link master.

2.7.11. Maintenance event counter

The sensor logs how many times the event counter has asked for maintenance. The maximum number of events to be recorded is 2 147 483 647. This parameter is updated once per hour and can be read from an IO-Link master.

2.7.12. Download counter

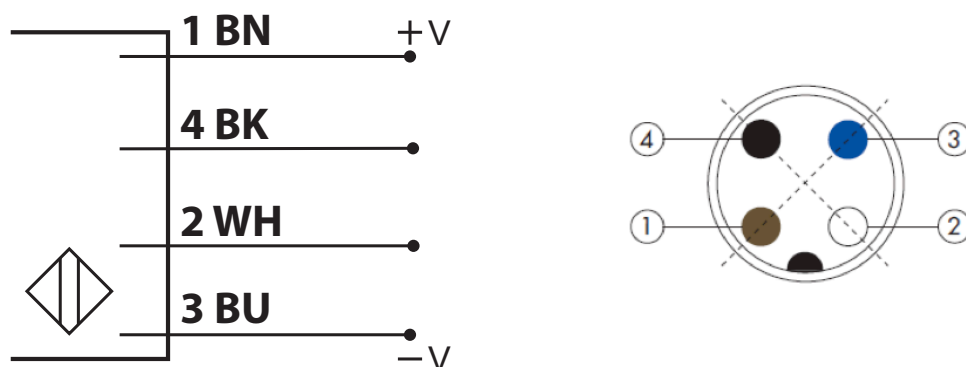
The sensor logs how many times its parameters have been changed. The maximum number of changes to be recorded is 65 536. This parameter is updated once per hour and can be read from an IO-Link master.

NOTE!

The temperature measured by the sensor will always be higher than the ambient temperature, due to internal heating.

The difference between ambient temperature and internal temperature is influenced by how the sensor is installed in the application. If the sensor is installed in a metal bracket the difference will be lower than if the sensor is mounted in a plastic one.

3. Wiring diagrams



PIN	Color	Signal	Description
1	Brown	10 to 40 VDC	Sensor Supply
2	White	Load	Output 2 / SIO mode / External input / External Teach
3	Blue	GND	Ground
4	Black	Load	IO-Link /Output 1 /SIO mode

4. Commissioning

50 ms after the power supply is switched on, the sensor will be operational.

If it is connected to an IO-link master, no additional setting is needed and the IO-Link communication will start automatically after the IO-Link master sends a wake-up request to the sensor.

5. Operation

5.1. User interface of CA18FA...IO and CA30FA... IO

CA18FA...IO and CA30FA...IO sensors are equipped with one yellow and one green LED.

Green LED	Yellow LED	Power	Function
SIO and IO-Link mode			
ON	ON	ON	ON (Stable)* SSC1
ON	OFF	ON	OFF (Stable)* SSC1
OFF	ON	-	ON (Not stable) SSC1
OFF	OFF	-	OFF (Not stable) SSC1
-	Flashing 10 Hz 50% dutycycle	ON	Output short-circuit
-	Flashing (0.5 ... 20 Hz)	ON	Timer indication
SIO mode only			
-	Flashing 1 Hz ON 10% dutycycle OFF 90% dutycycle	ON	External teach by wire. Only for single point mode
-	Flashing 1 Hz ON 90% dutycycle OFF 10% dutycycle	ON	Teach Time window (3-6 sec)
-	Flashing 10 Hz ON 50% dutycycle OFF 50% dutycycle Flashing for 2 sec	ON	Teach Time out (12 sec)
-	Flashing 2 Hz ON 50% dutycycle OFF 50% dutycycle Flashing for 2 sec	ON	Teach Successful
IO-Link mode only			
Flashing 1 HZ Stable: ON 90% dutycycle OFF 10% dutycycle Not stable: ON 10% dutycycle OFF 90% dutycycle	-	ON	Sensor is in IO_Link mode
Flashing 2 HZ 50% duty cycle		ON	Find my sensor

* Possibility to disable both LEDs

6. IODD file and factory setting

6.1. IODD file of an IO-Link device

All features, device parameters and setting values of the sensor are collected in a file called I/O Device Description (IODD file). The IODD file is needed in order to establish communication between the IO-Link master and the sensor. Every supplier of an IO-Link device has to supply this file and make it available for download on their web site. The file is compressed, so it is important to de-compress it. The IODD file includes:

- process and diagnostic data
- parameters description with the name, the allowed range, type of data and address (index and sub-index)
- communication properties, including the minimum cycle time of the device
- device identity, article number, picture of the device and Logo of the manufacturer

An IODD file is available on the Carlo Gavazzi Website: tbd

6.2. Factory settings

The Default factory settings are listed in appendix 7 under default values.

7. Appendix

7.1. Acronyms

DA	Dust Alarm
IntegerT	Signed Integer
OctetStringT	Array of Octets
PDV	Process Data Variable
R/W	Read and Write
RO	Read Only
SO	Switching Output
SP	Set point
SSC	Switching Signal Channel
StringT	String of ASCII characters
TA	Temperature Alarm
UIntegerT	Unsigned Integer
WO	Write Only

7.2. IO-Link Device Parameters for CA18FA.. and CA30FA..

7.2.1. Device parameters

Parameter Name	Index Dec (Hex)	Access	Default value	Data range	Data Type	Length
Vendor Name	16 (0x10)	RO	Carlo Gavazzi	-	StringT	20 Byte
Vendor Text	17 (0x11)	RO	www.gavazziautomation.com	-	StringT	26 Byte
Product Name	18 (0x12)	RO	(Sensor name) e.g. CA30FAN25BPA210	-	StringT	20 Byte
Product ID	19 (0x13)	RO	(EAN code of product) e.g. 5709870394046	-	StringT	13 Byte
Product Text	20 (0x14)	RO	Capacitive Proximity Sensor	-	StringT	30 Byte
Serial Number	21 (0x15)	RO	(Unique serial number) e.g. LR24101830834	-	StringT	13 Byte
Hardware Revision	22 (0x16)	RO	(Hardware revision) e.g. v01.00	-	StringT	6 Byte
Firmware Revision	23 (0x17)	RO	(Software revision) e.g. v01.00	-	StringT	6 Byte
Application Specific Tag	24 (0x18)	RW	***	Any string up to 32 characters	StringT	max 32 Byte
Function Tag	25 (0x19)	RW	***	Any string up to 32 characters	StringT	max 32 Byte
Location Tag	26 (0x1A)	RW	***	Any string up to 32 characters	StringT	max 32 Byte
Error Count	32 (0x20)	RO	0	0 .. 65 535	IntegerT	16 Bit
Device Status	36 (0x24)	RO	0 = Device is operating properly	0 = Device is operating properly 1 = Maintenance required 2 = Out-of-specification 3 = Functional-Check 4 = Failure	UIntegerT	8 Bit
Detailed Device Status	37 (0x25)		-	-		3 Byte
Temperature fault	-	RO	-	-	OctetStringT	3 Byte
Temperature over-run	-	RO	-	-	OctetStringT	3 Byte
Temperature under-run	-	RO	-	-	OctetStringT	3 Byte
Short-circuit	-	RO	-	-	OctetStringT	3 Byte
Maintenance Required	-	RO	-	-	OctetStringT	3 Byte
Process-DataInput	40 (0x28)	RO	-	-	IntegerT	32 bit

7.2.2. SSC parameters

Parameter Name	Index Dec (Hex)	Access	Default value	Data range	Data Type	Length
Teach-In Select	58 (0x3A)	RW	1 = Switching Signal Channel 1	0 = Default channel 1 = Switching Signal Channel 1 2 = Switching Signal Channel 2 255 = All SSC	UIntegerT	8 bit
Teach-In Result	59 (0x3B)	-	-	-	RecordT	8 bit
Teach-in State	1 (0x01)	RO	0 = Idle	0 = Idle 1 = Success 4 = Wait for command 5 = Busy 7 = Error	-	-
Flag SP1 TP1 TeachPoint 1 of Set point 1	2 (0x02)	RO	0 = Not OK	0 = Not OK 1 = OK	-	-
Flag SP1 TP2 TeachPoint 2 of Set point 1	3 (0x03)	RO	0 = Not OK	0 = Not OK 1 = OK	-	-
Flag SP2 TP1 TeachPoint 1 of Set point 2	4 (0x04)	RO	0 = Not OK	0 = Not OK 1 = OK	-	-
Flag SP2 TP2 TeachPoint 2 of Set point 2	5 (0x05)	RO	0 = Not OK	0 = Not OK 1 = OK	-	-
SSC1 Parameter (Switching Signal Channel)	60 (0x3C)		-	-	-	-
Set point 1 (SP1)	1 (0x01)	R/W	1 000	0 ... 10 000	IntegerT	16 bit
Set point 2 (SP2)	2 (0x02)	R/W	10 000	0 ... 10 000	IntegerT	16 bit
SSC1 Configuration (Switching Signal Channel)	61 (0x3D)	-	-	-	-	-
Switching Logic 1	1 (0x01)	R/W	0 = High active	0 = High active 1 = Low active	UIntegerT	8 bit
Mode 1	2 (0x02)	R/W	1 = Single Point Mode	0 = Deactivated 1 = Single Point Mode 2 = Window Mode 3 = Two Point Mode	UIntegerT	8 bit
Hysteresis 1	3 (0x03)	R/W	CA18FAF 6% CA18FAN 15% CA30FAF 7% CA30FAN 10%	1 ... 100	UIntegerT	16 bit
SSC2 Parameter	62 (0x3E)		-	-	-	-
Set point 1 (SP1)	1 (0x01)	R/W	1 000	0 ... 10 000	IntegerT	16 bit
Set point 2 (SP2)	2 (0x02)	R/W	10 000	0 ... 10 000	IntegerT	16 bit
SSC2 Configuration	63 (0x3F)				UIntegerT	8 bit
Switching Logic 2	1 (0x01)	R/W	0 = High active	0 = High active 1 = Low active	UIntegerT	8 bit
Mode 2	2 (0x02)	R/W	1 = Single Point Mode	0 = Deactivated 1 = Single Point Mode 2 = Window Mode 3 = Two Point Mode	UIntegerT	8 bit
Hysteresis 2	3 (0x03)	R/W	CA18FAF 6% CA18FAN 15% CA30FAF 8 % CA30FAN 10%	1 ... 100	UIntegerT	16 bit

7.2.3. Output Parameters

Parameter Name	Index Dec (Hex)	Access	Default value	Data range	Data Type	Length
Channel 1 (S01)	64 (0x40)					
Stage Mode 1	1 (0x01)	R/W	1 = PNP output	0 = Disabled output 1 = PNP output 2 = NPN output 3 = Push-pull output	UIntegerT	8 bit
Input selector 1	2 (0x02)	R/W	1 = SSC 1	0 = Deactivated 1 = SSC 1 2 = SSC 2 3 = Dust Alarm 1 (DA1) 4 = Dust Alarm 2 (DA2) 5 = Temperature Alarm (TA) 6 = External logic input	UIntegerT	8 bit
Timer 1 - Mode	3 (0x03)	R/W	0 = Disabled timer	0 = Disabled timer 1 = T-on delay 2 = T-off delay 3 = T-on/T-off delay 4 = One-shot leading edge 5 = One-shot trailing edge	UIntegerT	8 bit
Timer 1 - Scale	4 (0x04)	R/W	0 = Milliseconds	0 = Milliseconds 1 = Seconds 2 = Minutes	UIntegerT	8 bit
Timer 1 – Value	5 (0x05)	R/W	0	0 to 32'767	IntegerT	16 bit
Logic function 1	7 (0x07)	R/W	0 = Direct	0 = Direct 1 = AND 2 = OR 3 = XOR 4 = Gated SR-FF	UIntegerT	8 bit
Output Inverter 1	8 (0x08)	R/W	0 = Not inverted (N.O.)	0 = Not inverted (Normal Open) 1 = Inverted (Normal Closed)	UIntegerT	8 bit
Channel 2 (S02)	65 (0x41)					
Stage Mode 2	1 (0x01)	R/W	1 = PNP output	0 = Disabled output 1 = PNP output 2 = NPN output 3 = Push-Pull output 4 = Digital logic input (Active high/ Pull-down) 5 = Digital logic input (Active low/ Pull-up) 6 = Teach-in (Active high)	UIntegerT	8 bit
Input selector 2	2 (0x02)	R/W	1 = SSC 1	0 = Deactivated 1 = SSC 1 2 = SSC 2 3 = Dust Alarm 1 (DA1) 4 = Dust Alarm 2 (DA2) 5 = Temperature Alarm (TA) 6 = External logic input	UIntegerT	8 bit
Timer 2 – Mode	3 (0x03)	R/W	0 = Disabled timer	0 = Disabled timer 1 = T-on delay 2 = T-off delay 3 = T-on/T-off delay 4 = One-shot leading edge 5 = One-shot trailing edge	UIntegerT	8 bit
Timer 2 – Scale	4 (0x04)	R/W	0 = Milliseconds	0 = Milliseconds 1 = Seconds 2 = Minutes	UIntegerT	8 bit
Timer 2 – Value	5 (0x05)	R/W	0	0 to 32'767	IntegerT	16 bit
Logic function 2	7 (0x07)	R/W	0 = Direct	0 = Direct 1 = AND 2 = OR 3 = XOR 4 = Gated SR-FF	UIntegerT	8 bit
Output Inverter 2	8 (0x08)	R/W	1 = Inverted (Normally Closed)	0 = Not inverted (Normally Open) 1 = Inverted (Normally Closed)	UIntegerT	8 bit

7.2.4. Sensor specific adjustable parameters

Parameter Name	Index Dec (Hex)	Access	Default value	Data range	Data Type	Length
Selection of local/remote adjustment	68 (0x44)	RW	1 = Trimmer input	0 = Disabled 1 = Trimmer input 2 = Teach-by-wire	UIntegerT	8 bit
Trimmer value	69 (0x45)	RO		10 ... 10 000		
Process data configuration	70 (0x46)	RW			RecordT	16 bit
Analogue value	1 (0x01)	RW	1 = Analogue value Active	0 = Analogue value Inactive 1 = Analogue value Active		
Switching Output 1	2(0x02)	RW	1 = Switching Output 1 Active	0 = Switching Output 1 Inactive 1 = Switching Output 1 Active		
Switching Output 2	3 (0x03)	RW	1 = Switching Output 2 Active	0 = Switching Output 2 Inactive 1 = Switching Output 2 Active		
Switching Signal Channel 1	4 (0x04)	RW	0 = SSC1 Inactive	0 = SSC1 Inactive 1 = SSC1 Active		
Switching Signal Channel 2	5 (0x05)	RW	0 = SSC2 Inactive	0 = SSC2 Inactive 1 = SSC2 Active		
Dust alarm 1	6 (0x06)	RW	0 = DA1 Inactive	0 = DA1 Inactive 1 = DA1 Active		
Dust alarm 2	7 (0x07)	RW	0 = DA2 Inactive	0 = DA2 Inactive 1 = DA2 Active		
Temperature alarm	8 (0x08)	RW	0 = TA Inactive	0 = TA Inactive 1 = TA Active		
Short-circuit	9 (0x09)	RW	0 = SC Inactive	0 = SC Inactive 1 = SC Active		
Sensor Application pre-set	71 (0x47)	R/W	0 = Full scale range	0 = Full scale range 1 = Liquid level 2 = Plastic pellets	UIntegerT	8 bit
Temperature Alarm Threshold	72 (0x48)	R/W			RecordT	30 bit
High Threshold	1 (0x01)	R/W	120	-50 to 150 [°C]	IntegerT	16 bit
Low Threshold	2 (0x02)	R/W	- 30	-50 to 150 [°C]	IntegerT	16 bit
Safe ON/OFF Limits	73 (0x49)	R/W			RecordT	16 bit
SSC 1 - Safe limit	1 (0x01)	R/W	2 x standard hysteresis	0 ... 100	UIntegerT	8 bit
SSC 2 - Safe limit	2(0x02)	R/W	2 x standard hysteresis	0 ... 100	UIntegerT	8 bit
Event Configuration	74 (0x4A)	R/W			RecordT	16 bit
Maintenance (0x8C30)	1 (0x01)	R/W	0 = Maintenance Notification - Inactive	0 = Notification event Inactive 1 = Notification event Active		
Temperature fault event (0x4000)	2 (0x02)	R/W	0 = Temperature fault Error event - Inactive	0 = Error event Inactive 1 = Error event Active		
Temperature over-run (0x4210)	3 (0x03)	R/W	0 = Temperature over-run Warning event - Inactive	0 = Warning event Inactive 1 = Warning event Active		
Temperature under-run (0x4220)	4 (0x04)	R/W	0 = Temperature under-run Warning event - Inactive	0 = Warning event Inactive 1 = Warning event Active		
Short circuit (0x7710)	5 (0x05)	R/W	0 = Short circuit Error event - Inactive	0 = Error event Inactive 1 = Error event Active		
Quality of Teach	75 (0x4B)	RO	-	0 ... 255	UIntegerT	8 bit
Quality of Run	76 (0x4C)	RO	-	0 ... 255	UIntegerT	8 bit
Filter scaler	77 (0x4D)	R/W	1	1 ... 255	UIntegerT	8 bit
LED indication	78 (0x4E)	R/W	1 = LED indication Active	0 = LED indication Inactive 1 = LED indication Active 2 = Find my sensor	UIntegerT	8 bit

7.2.5. Diagnostic parameters

Parameter Name	Index Dec (Hex)	Access	Default value	Data range	Data Type	Length
Operating Hours	201 (0xC9)	RO	0	0 ... 2 147 483 647 [h]	IntegerT	32 bit
Number of Power Cycles	202 (0xCA)	RO	0	0 ... 2 147 483 647	IntegerT	32 bit
Maximum temperature – All time high	203 (0xCB)	RO	0	-50 to 150 [°C]	IntegerT	16 bit
Minimum temperature - All time low	204 (0xCC)	RO	0	-50 to 150 [°C]	IntegerT	16 bit
Maximum temperature since power-up	205 (0xCD)	RO	-	-50 to 150 [°C]	IntegerT	16 bit
Minimum temperature since power-up	206 (0xCE)	RO	-	-50 to 150 [°C]	IntegerT	16 bit
Current temperature	207 (0xCF)	RO	-	-50 to 150 [°C]	IntegerT	16 bit
Detection counter SSC1	210 (0xD2)	RO	-	0 ... 2 147 483 647	IntegerT	32 bit
Minutes above Maximum Temperature	211 (0xD3)	RO	-	0 ... 2 147 483 647 [min]	IntegerT	32 bit
Minutes below Minimum Temperature	212 (0xD4)	RO	-	0 ... 2 147 483 647 [min]	IntegerT	32 bit
Maintenance event counter	213 (0xD5)	RO	0	0 ... 2 147 483 647	IntegerT	32 bit
Download counter	214 (0xD6)	RO	0	0 ... 65 536	UIntegerT	16 bit



CARLO GAVAZZI

Kapazitive IO-Link-Sensoren

CA18FA, CA30FA

Instruction manual

Betriebsanleitung

Manuel d'instructions

Manual de instrucciones

Manuale d'istruzione

Brugervejledning

使用手册

Carlo Gavazzi Industri Over Hadstenevej 40, 8340 Hadsten, Dänemark

Inhaltsverzeichnis

1. Einführung	34
1.1. Beschreibung	34
1.2. Geltungsbereich der Dokumentation	34
1.3. Zielgruppe dieser Dokumentation	34
1.4. Verwendung des Produkts	34
1.5. Sicherheitshinweise	34
1.6. Sonstige Dokumente	34
1.7. Abkürzungen	35
2. Produkt	36
2.1. Hauptmerkmale	36
2.2. Kennnummer	36
2.3. Betriebsarten	37
2.3.1. SIO-Modus	37
2.3.2. IO-Link-Modus	37
2.4. Ausgangsparameter	38
2.4.1. Sensorfront	38
2.4.2. Eingangswähler	41
2.4.3. Logikfunktionen	41
2.4.4. Timer (einzeln einstellbar für Ausgang 1 und 2)	43
2.4.5. Ausgangsinvertierer	46
2.4.6. Betriebsart Schaltausgangsstufe	46
2.5. Teachvorgang	47
2.5.1. Externes, kabelgebundenes Teachen (Teach-by-Wire)	47
2.5.2. Teachen über IO-Link-Master	47
2.6. Sensorspezifisch einstellbare Parameter	50
2.6.1. Auswahl lokal/remote teach	50
2.6.2. Prozessdaten und Variablen	50
2.6.3. Einstellung der Sensoranwendung	50
2.6.4. Temperaturalarm-Grenzwert	50
2.6.5. Sichere Grenzwerte	51
2.6.6. Ereigniskonfiguration	51
2.6.7. „Quality of Run“ (QoR)	51
2.6.8. „Quality of Teach“ (QoT)	52
2.6.9. Erfassungsfiler	52
2.6.10. LED-Anzeige	52
2.7. Diagnoseparameter	53
3. Pinbelegung	54
4. Inbetriebnahme	54
5. Betrieb	55
5.1. Benutzeroberfläche von CA18FA...IO und CA30FA... IO	55
6. IODD-Datei und Werkseinstellung	56
6.1. IODD-Datei eines IO-Link-Geräts	56
6.2. Werkseinstellungen	56
7. Anhang	56
7.1. Abkürzungen	56
7.2. IO-Link-Geräteparameter für CA18FA.. und CA30FA..	57
7.2.1. Geräteparameter	57
7.2.2. SSC-Parameter	58
7.2.3. Ausgangsparameter	59
7.2.4. Sensorspezifisch einstellbare Parameter	60
7.2.5. Diagnoseparameter	61
Abmessungen	212
Montage	212
Erkennungsstabilität	213
Installationshinweise	214

1. Einführung

Diese Anleitung dient als Referenzhandbuch für die kapazitiven Näherungsschalter CA18FA...IO und CA30FA...IO mit IO-Link von Carlo Gavazzi. Sie beschreibt die Installation, Einrichtung und Verwendung des Produkts im Rahmen des bestimmungsgemäßen Gebrauchs.

1.1. Beschreibung

Die kapazitiven Sensoren von Carlo Gavazzi entsprechen den internationalen IEC-Normen und unterliegen den EG-Richtlinien zu Niederspannung (2014/35/EU) und elektromagnetischer Verträglichkeit (2014/30/EU).

Alle Rechte an diesem Dokument liegen bei Carlo Gavazzi Industri, Kopien dürfen nur für den internen Gebrauch angefertigt werden.

Wir freuen uns über Vorschläge zur Verbesserung dieses Dokuments.

1.2. Geltungsbereich der Dokumentation

Diese Anleitung gilt nur für kapazitive Sensoren der Typen CA18 und CA30 mit IO-Link und bis zur Veröffentlichung einer neuen Dokumentation.

Diese Betriebsanleitung beschreibt die Funktion, den Betrieb und die Installation des Produkts im Rahmen des bestimmungsgemäßen Gebrauchs.

1.3. Zielgruppe dieser Dokumentation

Die Anleitung enthält wichtige Informationen zur Installation und muss von Fachpersonal, das sich mit diesen kapazitiven Näherungsschaltern beschäftigt, gelesen und vollständig verstanden werden.

Wir empfehlen dringend, die Anleitung vor der Installation des Sensors sorgfältig zu lesen. Die Anleitung muss zur späteren Verwendung aufbewahrt werden. Die Installationsanleitung richtet sich an qualifiziertes Fachpersonal.

1.4. Verwendung des Produkts

Kapazitive Näherungsschalter sind berührungslose Geräte zur Messung von Position und/oder Positionsänderung eines beliebigen leitfähigen Messobjekts. Sie sind zudem in der Lage, die Dicke oder Dichte von nichtleitenden Materialien zu messen. Kapazitive Näherungsschalter werden in einer Vielzahl von Anwendungen eingesetzt, z. B. im Kunststoffspritzguss, in Fütterungsanlagen für Hühner oder Schweine, in der Montagelinienprüfung oder beim Befüllen bzw. Entleeren von festen oder flüssigen Objekten.

Die Sensoren der Typen CA18FA...IO und CA30FA...IO sind mit IO-Link-Kommunikation ausgestattet. Die Geräte können somit mit einem IO-Link-Master betrieben und konfiguriert werden.

1.5. Sicherheitshinweise

Dieser Sensor darf nicht in Anwendungen eingesetzt werden, bei denen die Personensicherheit von der Funktion des Sensors abhängt (Sensor wurde nicht nach der EU-Maschinenrichtlinie konzipiert).

Die Installation und Verwendung muss durch geschultes Fachpersonal mit grundlegenden Kenntnissen in der Elektroinstallation erfolgen.

Der Installateur ist für die ordnungsgemäße Installation gemäß den örtlichen Sicherheitsvorschriften verantwortlich und muss sicherstellen, dass ein defekter Sensor keine Gefahr für Personen oder Geräte darstellt. Ist der Sensor defekt, muss er ausgetauscht und gegen unbefugte Benutzung gesichert werden.

1.6. Sonstige Dokumente

Das Datenblatt, die IODD-Datei und das IO-Link-Parameterhandbuch können im Internet abgerufen werden: <http://gavazziautomation.com>

1.7. Abkürzungen

I/O	Eingang/Ausgang
PD	Prozessdaten
SPS	Speicherprogrammierbare Steuerung
SIO	Standard Eingang/Ausgang
SP	Sollwerte
IODD	I/O Device Description
IEC	International Electrotechnical Commission
NO	Schließerkontakt
NC	Öffnerkontakt
NPN	Verbindet Last mit Masse
PNP	Verbindet Last mit V+
Gegentakt	Verbindet Last mit Masse oder V+
QoR	Quality of Run (Prozessqualität)
QoT	Quality of Teach (Qualität des Teachvorgangs)
UART	Universal Asynchronous Receiver-Transmitter
SO	Schaltausgang
SSC	Schaltsignalkanal

2.1. Hauptmerkmale

Die neuen 4-adrigen IO-Link-Sensoren, DC mit Tripleshield der 4. Generation werden nach höchsten Qualitätsstandards gefertigt und sind in zwei verschiedenen Gehäusegrößen erhältlich.

- CA18FA.. Zylindrisches PTFE-Gehäuse mit M18-Gewinde für bündigen oder nicht bündigen Einbau mit 4-poligem M12-Anschlussstecker oder 2-m-PVC-Kabel.
- CA30FA.. Zylindrisches PTFE-Gehäuse mit M30-Gewinde für bündigen oder nicht bündigen Einbau mit 4-poligem M12-Anschlussstecker oder 2-m-PVC-Kabel.

Sie können im Standard-I/O-Modus (SIO), der Standardbetriebsart, arbeiten. Beim Anschluss an einen IO-Link-Master wechseln sie automatisch in den IO-Link-Modus und können einfach aus der Ferne gesteuert und konfiguriert werden.

Dank ihrer IO-Link-Schnittstelle sind diese Geräte wesentlich intelligenter und verfügen über viele zusätzliche Konfigurationsmöglichkeiten, wie z. B. einstellbarer Schaltabstand und Hysterese sowie Zeitfunktionen am Ausgang. Erweiterte Funktionalitäten wie ein Logikfunktionsblock und die Möglichkeit, einen Ausgang in einen externen Eingang zu verwandeln, erlauben einen äußerst flexiblen Einsatz des Sensors bei der Lösung dezentraler Messaufgaben.

2.2. Kennnummer

Code	Option	Beschreibung
C	-	Schaltprinzip: Kapazitiver Sensor
A	-	Zylindrisches Gehäuse mit Gewinde
<input type="checkbox"/>	18	M18-Gehäuse
	30	M30-Gehäuse
F	-	PTFE gehäuse
A	-	Axiale Erkennung
<input type="checkbox"/>	F	Bündiger Einbau
	N	Nichtbündiger Einbau
<input type="checkbox"/>	08	8 mm Schaltabstand (für CA18...)
	12	12 mm Schaltabstand (für CA18...)
	16	16 mm Schaltabstand (für CA30...)
	25	25 mm Schaltabstand (für CA30...)
B	-	Wählbare Funktionen: NPN, PNP, Gegentakt, externer Eingang (nur Pin 2) oder externer Teach-Eingang (nur Pin 2)
P	-	Wählbar: NO oder NC
<input type="checkbox"/>	A2	PVC-Kabel, 2 m
	M1	M12, 4-poliger Anschlussstecker
IO	-	IO-Link-Ausführung

Zusätzliche Zeichen können für angepasste Versionen verwendet werden.

2.3 Betriebsarten

Kapazitive IO-Link-Sensoren sind mit zwei Schaltausgängen (SO) ausgestattet und können in zwei verschiedenen Betriebsarten betrieben werden: SIO-Modus (Standard I/O-Modus) oder IO-Link-Modus.

2.3.1. SIO-Modus

Wenn der Sensor im SIO-Modus arbeitet (Standard), ist kein IO-Link-Master erforderlich. Das Gerät arbeitet als kapazitiver Standardsensor und kann über ein Feldbusgerät oder eine Steuerung (z. B. eine SPS) betrieben werden, wenn sie an seine PNP-, NPN- oder Gegentakt-Digitaleingänge (Standard-I/O-Anschluss) angeschlossen ist. Einer der größten Vorteile dieser kapazitiven Sensoren ist die Möglichkeit, sie über einen IO-Link-Master zu konfigurieren und nach dem Trennen die letzten Parameter und Konfigurationseinstellungen beizubehalten. So ist es beispielsweise möglich, die Ausgänge des Sensors einzeln als PNP, NPN oder Gegentakt zu konfigurieren oder Zeitfunktionen wie Ein- und Ausschaltverzögerungen des Timers oder Logikfunktionen hinzuzufügen und damit mehrere Anwendungsanforderungen mit dem gleichen Sensor zu erfüllen.

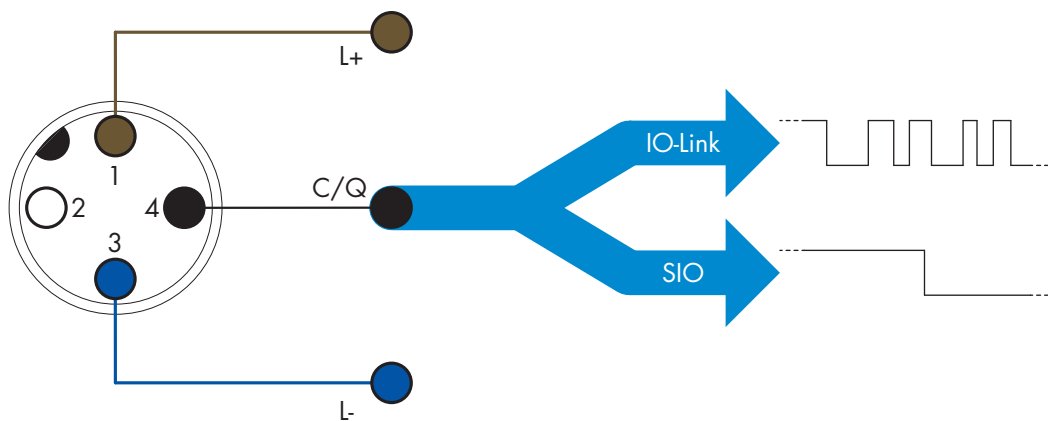
2.3.2. IO-Link-Modus

IO-Link ist eine standardisierte I/O-Technologie, die weltweit als internationaler Standard (IEC 61131-9) anerkannt ist.

Sie ist eine Art „USB-Schnittstelle“ für Sensoren und Aktoren in der industriellen Automation.

Wenn der Sensor an einen IO-Link-Anschluss angeschlossen ist, sendet der IO-Link-Master einen Weckruf (Weckimpuls) an den Sensor, der automatisch in den IO-Link-Modus wechselt. Zwischen Master und Sensor startet daraufhin automatisch eine bidirektionale Punkt-zu-Punkt-Kommunikation.

Die IO-Link-Kommunikation erfordert lediglich ein 3-adriges ungeschirmtes Standardkabel mit einer maximalen Länge von 20 m.



Die IO-Link-Kommunikation erfolgt mit einer Pulsweitenmodulation von 24 V, Standard-UART-Protokoll über das Schalt- und Kommunikationskabel (kombinierter Schaltzustand und Datenkanal C/Q), Pin 4 oder schwarzer Leiter.

Beispiel: männlicher, 4-poliger M12-Anschlussstecker:

- Positive Spannungsversorgung: Pin 1, braun
- Negative Spannungsversorgung: Pin 3, blau
- Digitalausgang 1: Pin 4, schwarz
- Digitalausgang 2: Pin 2, weiß

Die Übertragungsrate der Sensoren CA18FA...IO oder CA30FA...IO beträgt 38,4 kBaud (COM2). Einmal mit dem IO-Link-Anschluss verbunden, hat der Master Fernzugriff auf alle Parameter des Sensors und auf erweiterte Funktionalitäten, so dass die Einstellungen und Konfigurationen während des Betriebs geändert und Diagnosefunktionen wie Temperaturwarnungen, Temperaturalarmlenken und Prozessdaten genutzt werden können.

Mit IO-Link ist es ab V1.1 möglich, die Herstellerinformationen und die Teilenummer (Servicedaten) des angeschlossenen Geräts einzusehen. Dank der Datenspeicherung können das Gerät ausgetauscht und alle im alten Gerät gespeicherten Informationen automatisch in das Austauschgerät übertragen werden.

Der Zugriff auf die internen Parameter ermöglicht es dem Benutzer, die Leistung des Sensors zu sehen, z. B. durch Ablesen der internen Temperatur.

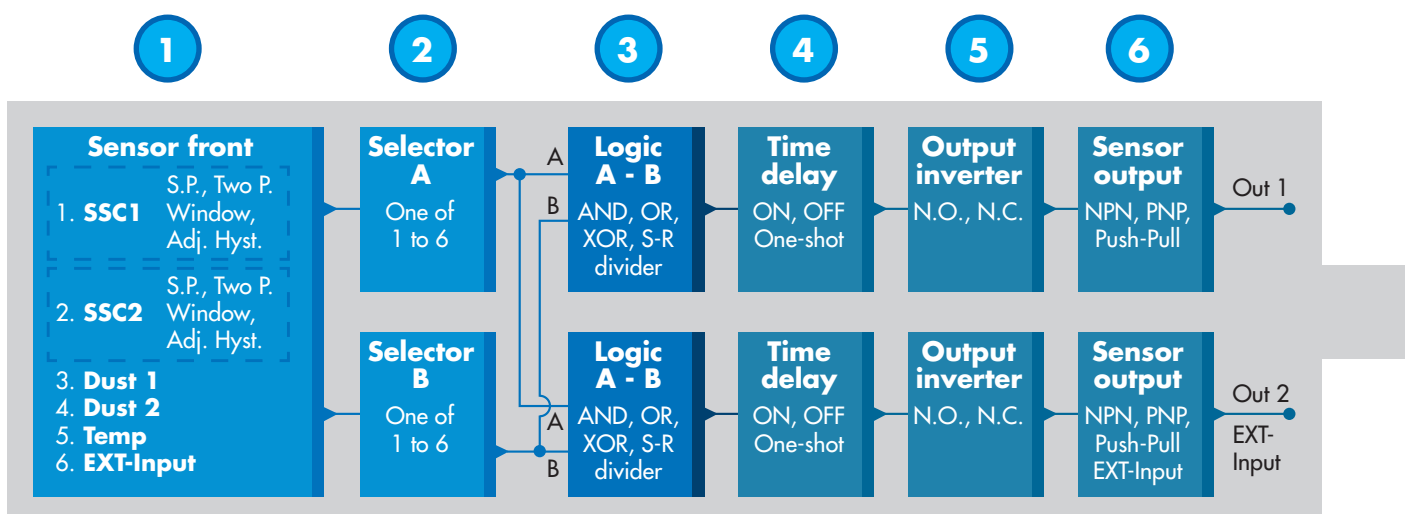
Ereignisdaten ermöglichen es dem Benutzer, Diagnoseinformationen zu erhalten, wie z. B. Fehler, Alarmer, Warnungen oder Informationen zu Kommunikationsproblemen.

Es gibt zwei verschiedene, voneinander unabhängige Kommunikationsarten zwischen dem Sensor und dem Master:

- zyklisch, für Prozessdaten und Wertstatus – diese Daten werden zyklisch ausgetauscht.
- azyklisch, für Parametrierung, Identifikationsdaten, Diagnoseinformationen und Ereignisse (z. B. Fehlermeldungen oder Warnungen) – diese Daten können auf Anfrage ausgetauscht werden.

2.4. Ausgangsparameter

Der Sensor misst fünf verschiedene physikalische Größen. Diese Größen können unabhängig voneinander eingestellt und als Quelle für den Schaltausgang 1 (SO1) oder 2 (SO2) verwendet werden. Zusätzlich kann ein externer Eingang für SO2 gewählt werden. Nach Auswahl einer dieser Quellen ist es möglich, den Ausgang des Sensors mit einem IO-Link-Master zu konfigurieren. Hierzu sind die sechs Schritte zu befolgen, die in der folgenden Schaltausgang-Konfiguration gezeigt werden. Nachdem der Sensor vom Master getrennt wurde, wechselt er in den SIO-Modus und behält die letzte Konfigurationseinstellung bei.



1

2.4.1. Sensorfront

Nähert sich ein festes oder flüssiges Objekt der Sensorfront, wird die Kapazität des Erfassungsschaltkreises beeinflusst, und der Schaltausgang ändert seinen Zustand.

2.4.1.1. SSC (Schaltsignalkanal)

Für die Erkennung der Anwesenheit (oder Abwesenheit) eines Objekts vor der Sensorfläche stehen folgende Einstellungen zur Verfügung: SSC1 oder SSC2.

Die Sollwerte können von 0 bis 10.000 Einheiten eingestellt werden, mit denen die Kapazitätsänderung der Detektionsschaltung dargestellt wird. Der Wert erhöht sich, je näher sich das Messobjekt an der Sensorfläche befindet. Auch eine höhere Permittivität des Messobjekts steigert den Wert. Beispiel: Ein Messobjekt aus Metall hat eine höhere Permittivität als ein Messobjekt aus Kunststoff.

2.4.1.2. Betriebsarten Schalterpunkt

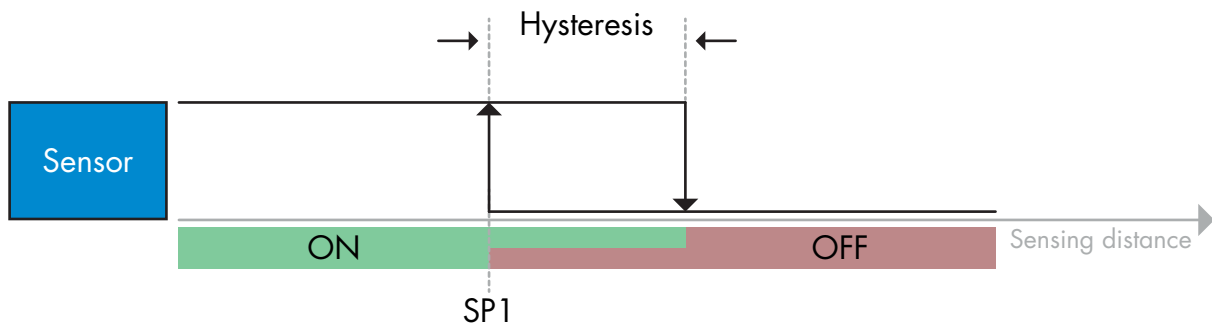
Mit den verschiedenen Betriebsarten kann ein erweitertes Ausgangsverhalten erzeugt werden. Für das Schaltverhalten von SSC1 und SSC2 können folgende Betriebsarten gewählt werden:

Deaktiviert

SSC1 oder SSC2 können einzeln deaktiviert werden. Dies deaktiviert jedoch auch den Ausgang, wenn er am Eingangswähler ausgewählt ist (der Logikwert ist immer „0“).

Ein Grenzwert

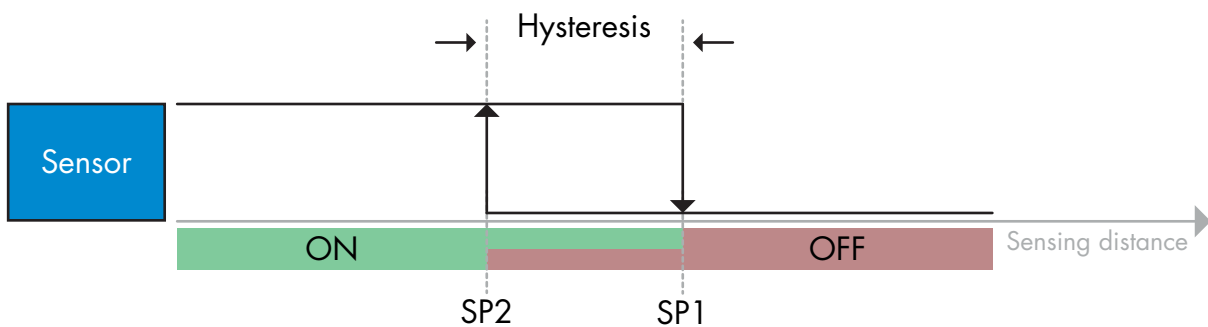
Die Schaltinformation ändert sich, wenn der Messwert die im Sollwert SP1 definierte Schwelle bei steigenden oder fallenden Messwerten überschreitet (unter Berücksichtigung der Hysterese).



Beispiel einer Anwesenheitserkennung – mit nicht invertierter Logik

Zwei Grenzwerte

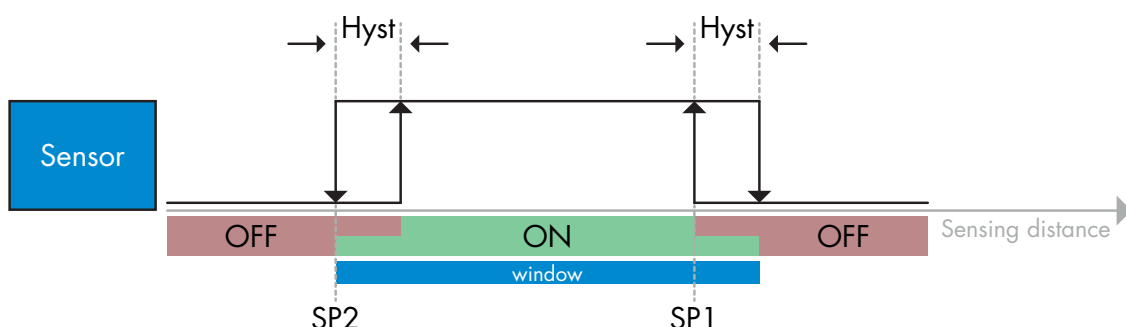
Die Schaltinformation ändert sich, wenn der Messwert die im Sollwert SP1 definierte Schwelle überschreitet. Diese Änderung tritt nur bei steigenden Messwerten auf. Die Schaltinformation ändert sich auch dann, wenn der Messwert die im Sollwert SP2 definierte Schwelle überschreitet. Diese Änderung tritt nur bei fallenden Messwerten auf. Die Hysterese wird in diesem Fall nicht berücksichtigt.



Beispiel einer Anwesenheitserkennung – mit nicht invertierter Logik

Fensterbetrieb

Die Schaltinformation ändert sich, wenn der Messwert die in den Sollwerten SP1 und SP2 definierten Schwellen bei steigenden oder fallenden Messwerten überschreitet (unter Berücksichtigung der Hysterese).



Beispiel einer Anwesenheitserkennung – mit nicht invertierter Logik

2.4.1.3. Hysterese-Einstellungen

In den Betriebsarten „Ein Grenzwert“ und Fensterbetrieb kann die Hysterese in SCC1 und SCC2 zwischen 1 und 100 % des aktuellen Schaltwerts eingestellt werden. Die Standardeinstellungen sind abhängig vom Sensortyp:

CA18FAF...	4 %
CA18FAN...	15 %
CA30FAF...	5 %
CA30FAN...	10 %

(SP2 + Hysterese < SP1) & (SP1 + Hysterese < Schaltbereich oberer Grenzwert)

Information

Eine erweiterte Hysterese wird in der Regel zur Lösung von Vibrations- oder EMV-Problemen in der Anwendung verwendet.

2.4.1.4. Verschmutzungsalarm DA1 und Verschmutzungsalarm DA2

Die sichere Grenze zwischen dem Schalten des Sensorausgangs und dem Wert, bei dem der Sensor auch bei leichter Staubablagerung eine sichere Erkennung gewährleisten kann, ist einstellbar.

Siehe 2.6.5 „Sichere Grenzwerte“.

2.4.1.5. Temperaturalarm (TA)

Der Sensor überwacht ständig die Innentemperatur im vorderen Teil des Sensors. Mit Hilfe der Temperaturalarmeinstellung ist es möglich, einen Alarm vom Sensor zu erhalten, wenn Temperaturgrenzwerte überschritten werden. Siehe 2.6.4.

Der Temperaturalarm hat zwei getrennte Werte, einen für die Einstellung der Höchsttemperatur und einen für die Einstellung der Mindesttemperatur.

Die Temperatur des Sensors kann über die azyklischen IO-Link-Parameterdaten ausgelesen werden.

HINWEIS!

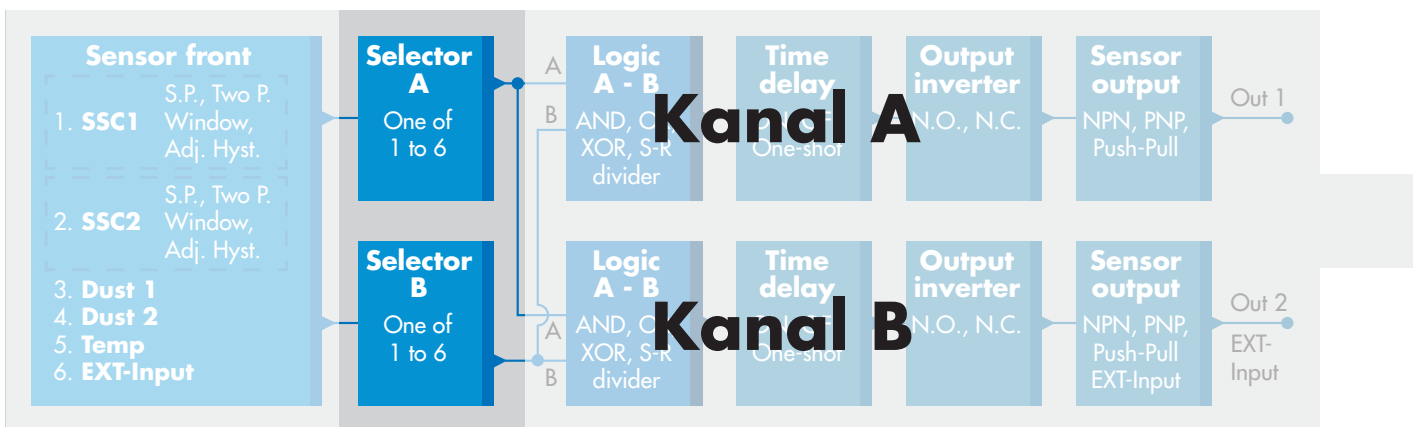
Die vom Sensor gemessene Temperatur ist aufgrund der internen Erwärmung immer höher als die Umgebungstemperatur.

Die Differenz zwischen Umgebungstemperatur und Innentemperatur wird dadurch beeinflusst, wie der Sensor in der Anwendung verbaut ist. Wenn der Sensor in einer Metallhalterung montiert ist, ist die Differenz geringer als wenn der Sensor in einer Kunststoffhalterung montiert ist.

2.4.1.6. Externer Eingang

Der Ausgang 2 (SO2) kann als externer Eingang konfiguriert werden, so dass externe Signale in den Sensor eingespeist werden können: von einem zweiten Sensor, einer SPS oder direkt von einem Maschinenausgang.

2

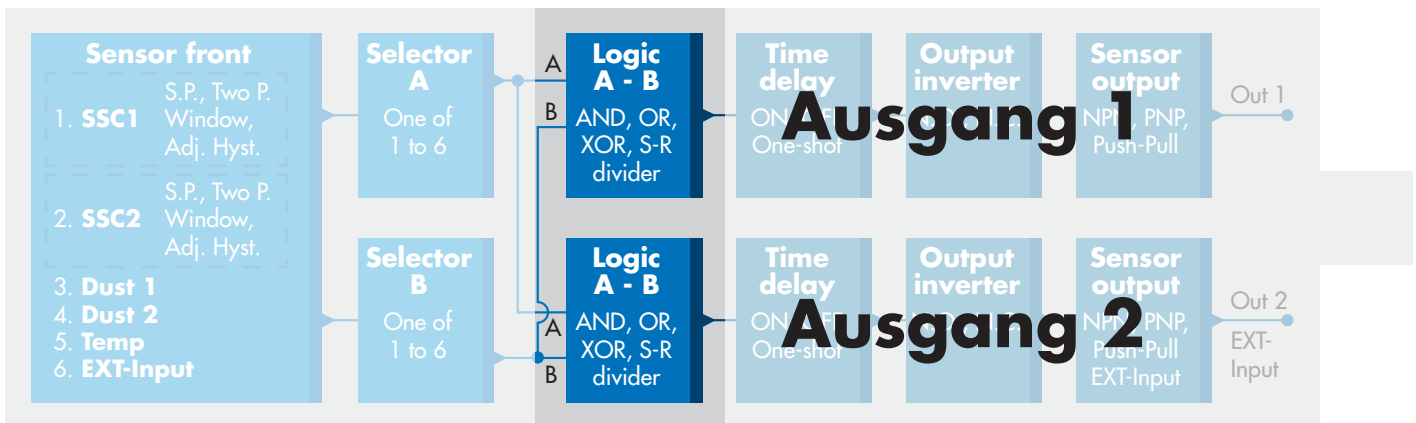


2.4.2. Eingangswähler

Mit diesem Funktionsblock kann der Benutzer beliebige Signale von der Sensorfront für Kanal A oder B auswählen.

Kanal A und B: Wählbar aus SSC1, SSC2, Verschmutzungsalarm (dustalarm DA1), Verschmutzungsalarm (dust alarm DA2), Temperaturalarm und externem Eingang.

3

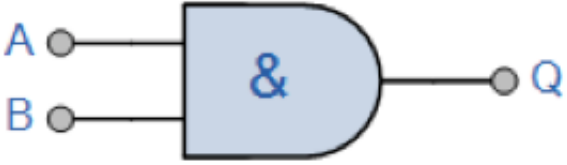


2.4.3. Logikfunktionen

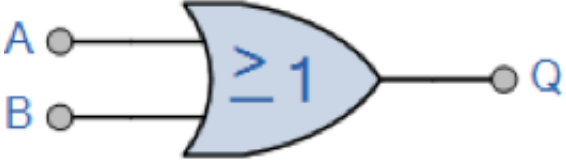
Im Logikfunktionsblock können die ausgewählten Signale des Eingangswählers direkt ohne Einsatz einer SPS um eine Logikfunktion ergänzt werden. So sind dezentrale Entscheidungen möglich.

Verfügbare Logikfunktionen sind: AND, OR, XOR, SR-FF.

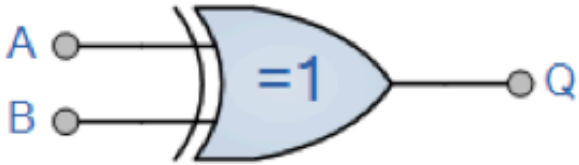
AND-Funktion

Symbol	Wahrheitstabelle		
 <p>AND-Gatter mit 2 Eingängen</p>	A	B	Q
	0	0	0
	0	1	0
	1	0	0
	1	1	1
Boolescher Ausdruck $Q = A \cdot B$	A UND B ergeben Q		

OR-Funktion

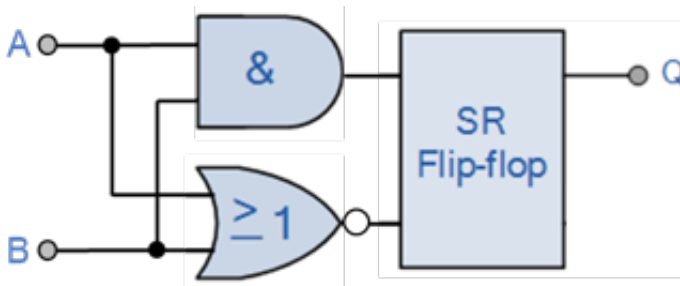
Symbol	Wahrheitstabelle		
 <p>OR-Gatter mit 2 Eingängen</p>	A	B	Q
	0	0	0
	0	1	1
	1	0	1
	1	1	1
Boolescher Ausdruck $Q = A + B$	A ODER B ergibt Q		

XOR-Funktion

Symbol	Wahrheitstabelle		
 <p>XOR-Gatter mit 2 Eingängen</p>	A	B	Q
	0	0	0
	0	1	1
	OR-Gatter mit 2 Eingängen		1
	1	1	0
Boolescher Ausdruck $Q = A \oplus B$	A ODER B, aber NICHT BEIDES ergibt Q		

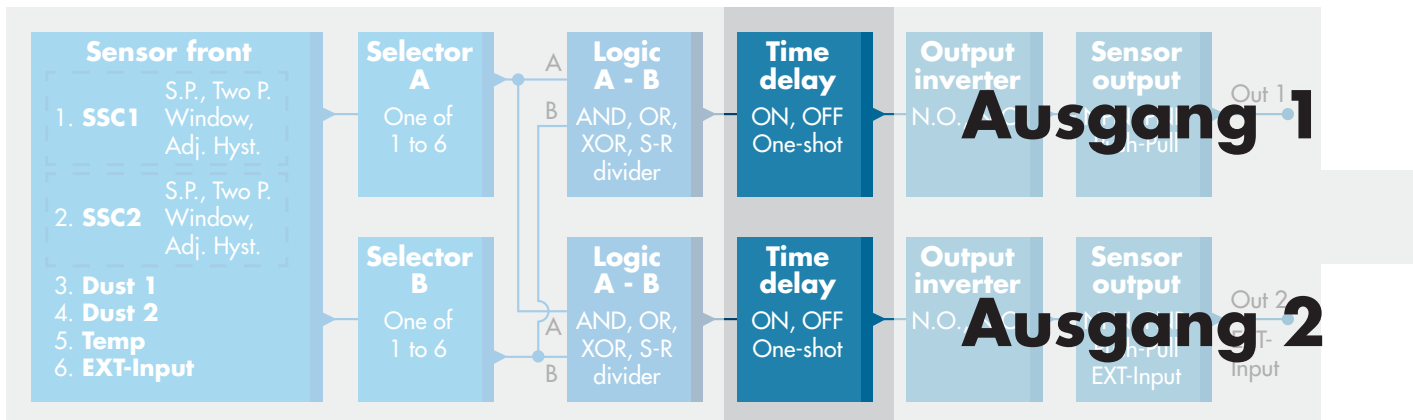
Gattergesteuerte SR-FF-Funktion

Die Funktion ist so ausgelegt, dass sie z. B. als Befüll- oder Entleerfunktion mit nur zwei miteinander verbundenen Sensoren funktioniert.

Symbol	Wahrheitstabelle		
	A	B	Q
	0	0	0
	0	1	X
	1	0	X
	1	1	1

X – keine Änderungen am Ausgang.

4



2.4.4. Timer (einzeln einstellbar für Ausgang 1 und 2)

Mit dem Timer hat der Benutzer die Möglichkeit, verschiedene Zeitfunktionen durch Bearbeiten der 3 Timerparameter einzuführen:

- Timermodus
- Timerskala
- Timerwert

2.4.4.1. Timermodus

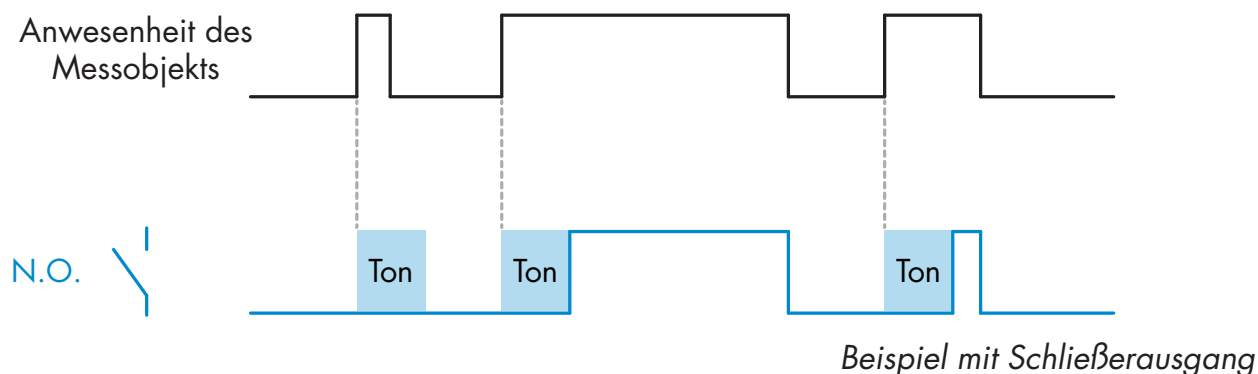
Wählt aus, welche Art von Timerfunktion am Schaltausgang angewandt wird. Es bestehen folgende Möglichkeiten:

2.4.4.1.1. Deaktiviert

Diese Option deaktiviert die Timerfunktion, unabhängig davon, wie die Timerskala und die Zeitverzögerung eingestellt sind.

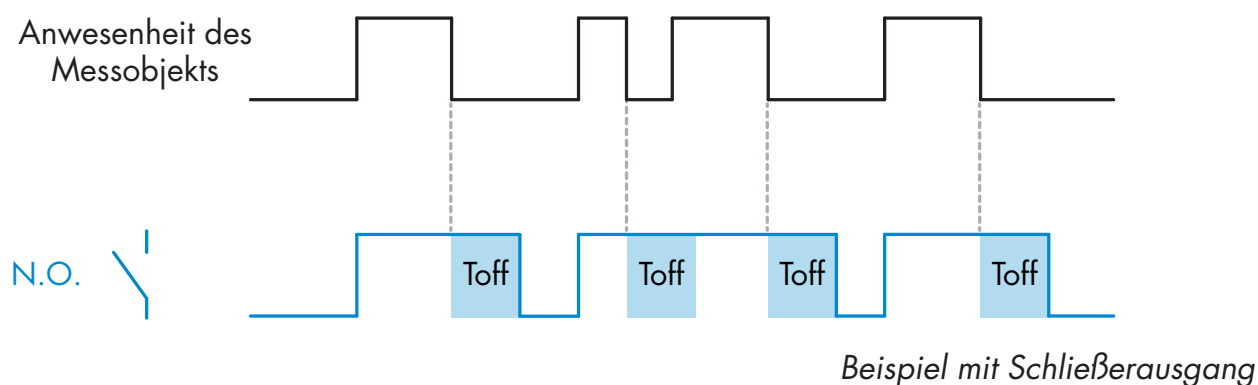
2.4.4.1.2. Einschaltverzögerung (T-on)

Nach der Erfassung des Objekts startet die Zeitfunktion mit der positiven Flanke des Erfassungssignals und nach Ablauf der eingestellten Zeitverzögerung wird der Schaltausgang aktiviert. Siehe Abbildung unten



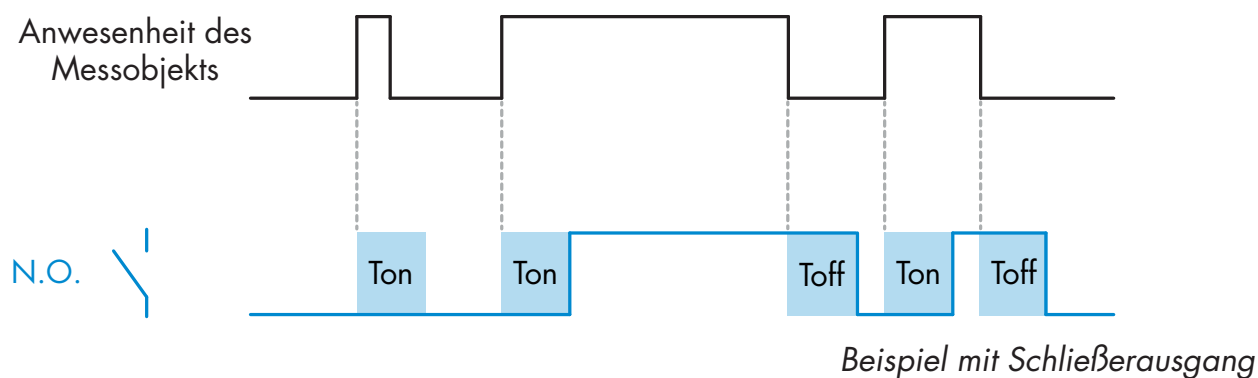
2.4.4.1.3. Ausschaltverzögerung (T-off)

Hier startet die Zeitfunktion mit der Entfernung des Objekts, also bei negativer Flanke des Erfassungssignals wie in der Abbildung unten dargestellt wird.



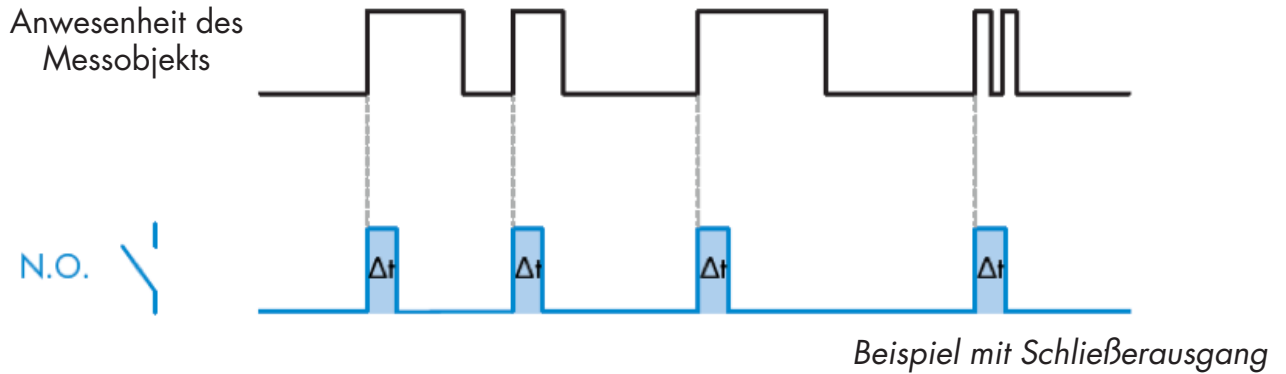
2.4.4.1.4. Ein- und Ausschaltverzögerung (T-on und T-off)

Bei der Ein- und Ausschaltverzögerung startet die Zeitfunktion mit der positiven und negativen Flanke des Erfassungssignals und nach Ablauf der eingestellten Zeitverzögerung wird der Schaltausgang aktiviert bzw. deaktiviert.



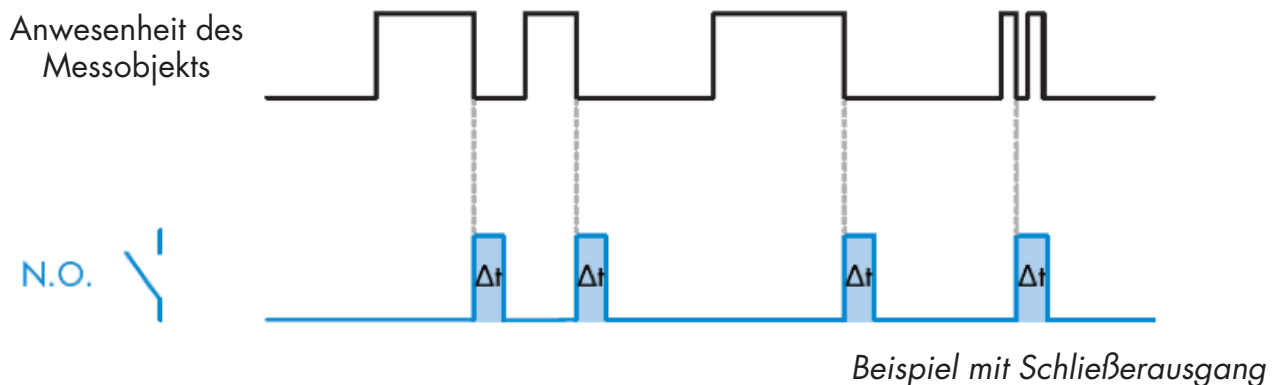
2.4.4.1.5. Einschaltwischend

Jedes Mal wenn der Sensor das Objekt erfasst wird bei der positiven Flanke des Erfassungssignals am Schaltausgang jeweils ein Impuls mit konstanter Impulsbreite generiert.



2.4.4.1.6. Ausschaltwischend

Ähnlich wie Einschaltwischend, allerdings wird bei der negativen Flanke des Erfassungssignals der Impuls am Schaltausgang generiert.



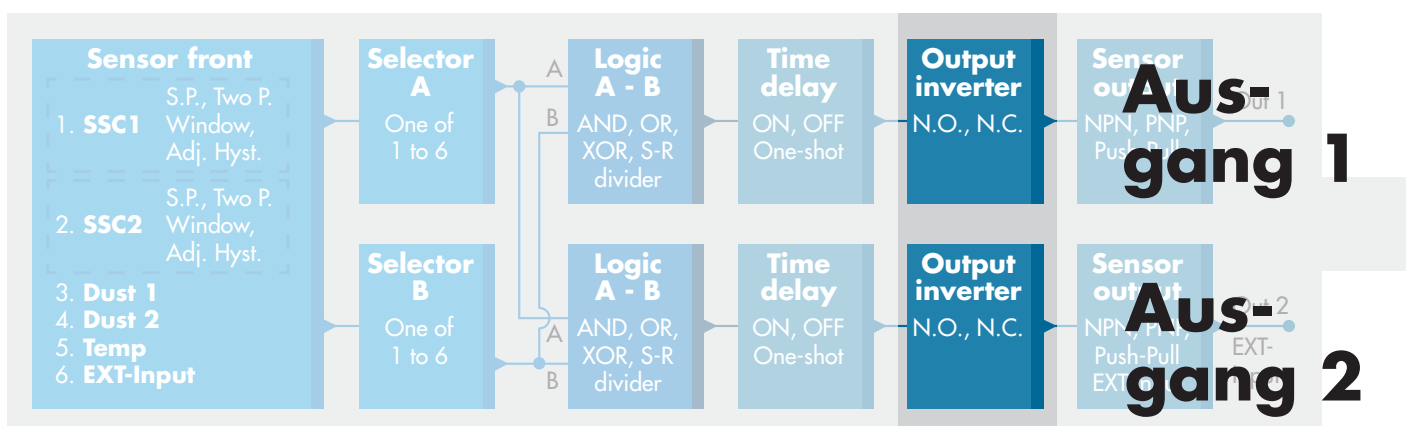
2.4.4.1.7. Timerskala

Der Parameter legt fest, ob die Zeitverzögerung in Millisekunden, Sekunden oder Minuten angegeben werden soll.

2.4.4.1.8. Timerwert

Der Parameter legt die eigentliche Dauer der Verzögerung fest. Die Verzögerung kann auf einen beliebigen ganzzahligen Wert zwischen 1 und 32.767 eingestellt werden.

5



2.4.5. Ausgangsinvertierer

Mit dieser Funktion kann der Benutzer den Betrieb des Schaltausgangs zwischen Schließer und Öffner umkehren.

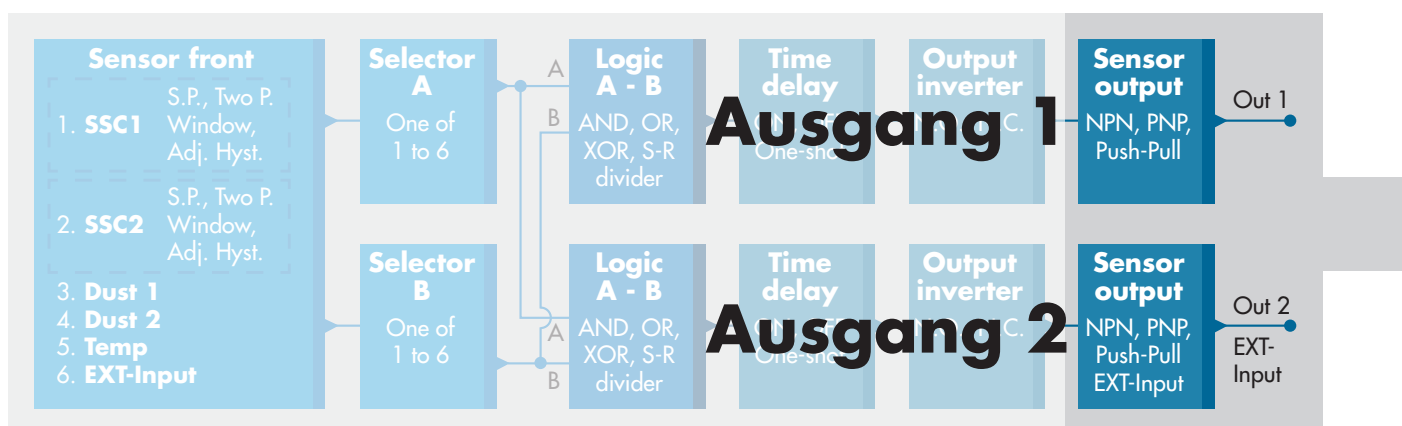
EMPFOHLENE FUNKTION!

Die empfohlene Funktion befindet sich in den Parametern unter 64 (0x40) Subindex 8 (0x08) für SO1 und 65 (0x41) Subindex 8 (0x08) für SO2. Sie hat keinen negativen Einfluss auf die Logikfunktionen oder die Zeitfunktionen des Sensors, da sie nach diesen Funktionen hinzugefügt wird.

VORSICHT!

Von der Verwendung der unter 61 (0x3D) Subindex 1 (0x01) für SSC1 und 63 (0x3F) Subindex 1 (0x01) für SSC2 vorliegenden Schaltlogikfunktion wird abgeraten, da sie einen negativen Einfluss auf die Logik- oder Zeitfunktionen hat. So wird z. B. bei Verwendung dieser Funktion eine Einschaltverzögerung in eine Ausschaltverzögerung umgewandelt, da sie auch für SSC1 und SSC2 und nicht nur für SO1 und SO2 hinzugefügt wird.

6



2.4.6. Betriebsart Schaltausgangsstufe

In diesem Funktionsblock kann der Benutzer auswählen, ob die Schaltausgänge wie folgt arbeiten sollen:

SO1: Deaktiviert oder in NPN-, PNP- oder Gegentakt-Konfiguration.

SO2: Deaktiviert, NPN, PNP, Gegentakt, externer Eingang (aktiv-high/Pull-down), externer Eingang (aktiv-low/Pull-up) oder externer Teach-Eingang.

2.5. Teachvorgang

2.5.1. Externes, kabelgebundenes Teachen (Teach-by-Wire)

HINWEIS! Diese Funktion arbeitet in der Betriebsart „Ein Grenzwert“ und nur für SP1 in SCC1. „Teach-by-Wire“ muss zunächst über einen IO-Link-Master eingerichtet werden:

- Auszuwählen ist: „2=Teach-by-Wire“ in der Auswahl „Einstellung lokal/remote teach“ 68 (0x44).
- Auszuwählen ist: „1=Betriebsart Ein Grenzwert ist bereits unter „SSC1-Konfiguration“ 61(0x3D), „Modus 1“ 2(0x02) ausgewählt (dieser Wert sollte bereits als Standard eingestellt sein).
- Auszuwählen ist: „6=Teachen (aktiv-high)“ in Kanal 2 (SO2) 65 (0x41) Subindex 1 (0x01).

Teach-by-Wire-Verfahren

- Das Messobjekt vor den Sensor platzieren und den Teach-by-Wire-Eingang (Pin 2, weißer Leiter) mit V+ (Pin 1, brauner Leiter) verbinden. Die gelbe LED blinkt mit 1 Hz (EIN 100 ms und AUS 900 ms).
- Innerhalb von 3–6 Sekunden muss der Leiter abgetrennt werden und die gelbe LED blinkt mit 1 Hz (EIN 900 ms und AUS 100 ms).
- Nach erfolgreichem Teachen blinkt die gelbe LED mit 2 Hz (EIN 250 ms und AUS 250 ms).

HINWEIS! Soll der Teachvorgang abgebrochen werden, den Leiter nicht nach 3 bis 6 Sekunden abtrennen, sondern die Verbindung 12 Sekunden lang aufrecht erhalten, bis die gelbe LED mit 10 Hz blinkt (EIN 50 ms und AUS 50 ms).

2.5.2. Teachen über IO-Link-Master

- Um das Teachen vom IO-Link-Master zu aktivieren, zunächst den Potentiometereingang deaktivieren:
Auszuwählen ist: „0=Deaktiviert“ in der Auswahl der lokalen/fernen Einstellparameter 68 (0x44).
- Die einzelnen Teambefehle können in den Index 2 geschrieben werden.

2.5.2.1. Ablauf bei der Betriebsart „Ein Grenzwert“

Den zu teachenden Schaltkanal auswählen:

- Auszuwählen ist: 1=SSC1 oder 2=SSC2 in „Teach-Auswahl“ 58(0x3A) oder 255 = Alle SSC.
- Die Hysterese ändern, falls für SSC1 oder SSC2 gefordert.
 - „SSC1-Konfiguration“ 61(0x3D) „Hysterese“ 3(0x03).
 - „SSC2-Konfiguration“ 62(0x3E) „Hysterese“ 3(0x03).

HINWEIS! Es wird davon abgeraten, die Hysterese auf einen Wert unter den in der SSC-Parameterliste angegebenen Werten zu ändern.

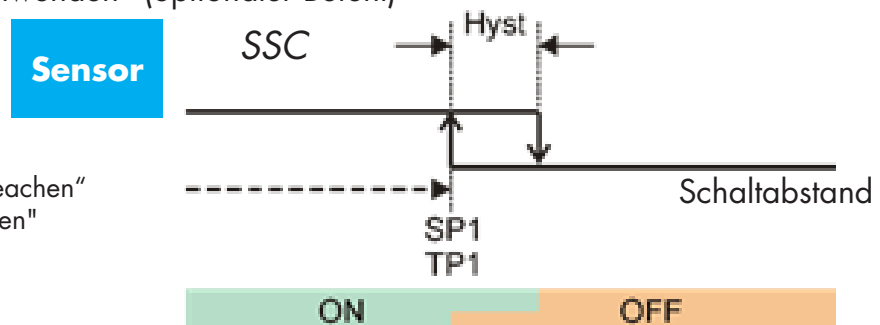
1) Befehlsabfolge für Einzelwert-Teachvorgang

#65 „SP1 Einzelwert-Teachen“

#64 „Teachen anwenden“ (optionaler Befehl)

Befehlsabfolge

- „SP1 Einzelwert-Teachen“
- „Teachen anwenden“

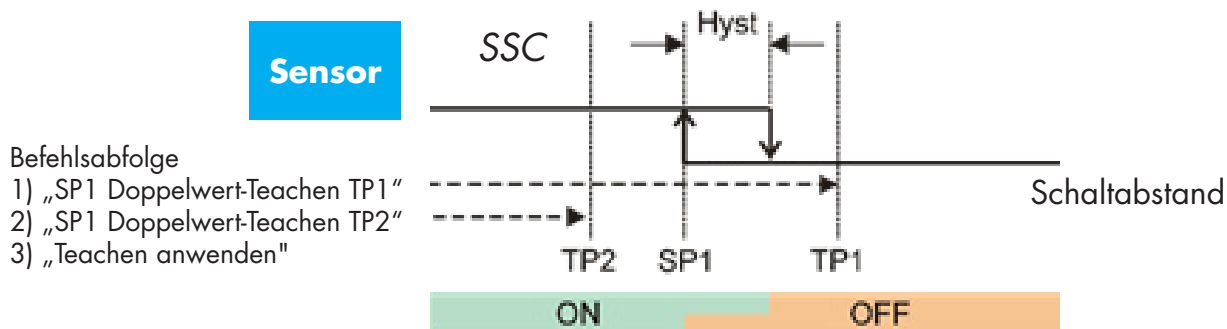


2) Befehlsabfolge für dynamisches Teachen

- #71 „SP1 Start dynamisches Teachen“
- #72 „SP1 Stopp dynamisches Teachen“
- #64 „Teachen anwenden“ (optionaler Befehl)

3) Befehlsabfolge für Doppelwert-Teachvorgang

- #67 „SP1 Doppelwert-Teachen TP1“
- #68 „SP1 Doppelwert-Teachen TP2“
- #64 „Teachen anwenden“ (optionaler Befehl)

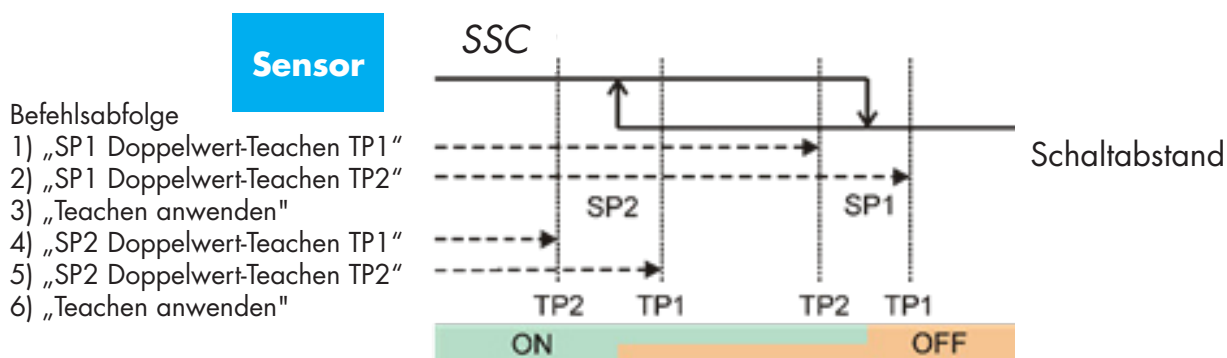


2.5.2.2. Ablauf bei der Betriebsart „Zwei Grenzwerte“

1) Befehlsabfolge für Doppelwert-Teachvorgang:

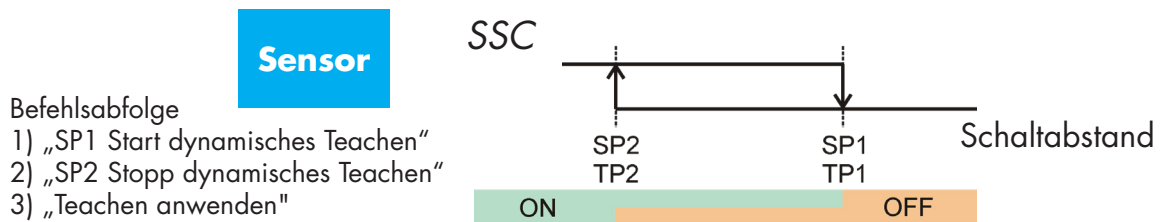
- #67 „SP1 Doppelwert-Teachen TP1“
- #68 „SP1 Doppelwert-Teachen TP2“
- #64 „Teachen anwenden“ (optionaler Befehl)

- #69 „SP2 Doppelwert-Teachen TP1“
- #70 „SP2 Doppelwert-Teachen TP2“
- #64 „Teachen anwenden“ (optionaler Befehl)



2) Befehlsabfolge für dynamisches Teachen

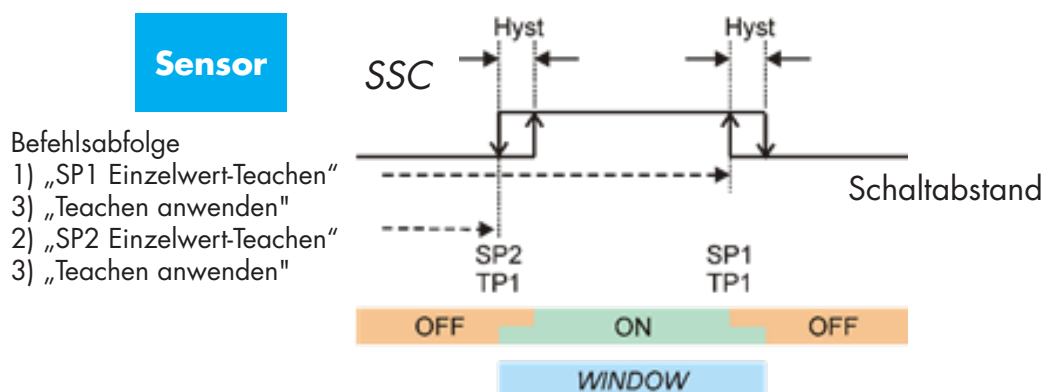
- #71 „SP1 Start dynamisches Teachen“
- #72 „SP1 Stopp dynamisches Teachen“
- #73 „SP2 Start dynamisches Teachen“
- #74 „SP2 Stopp dynamisches Teachen“
- #64 „Teachen anwenden“ (optionaler Befehl)



2.5.2.3. Ablauf bei der Betriebsart „Fensterbetrieb“

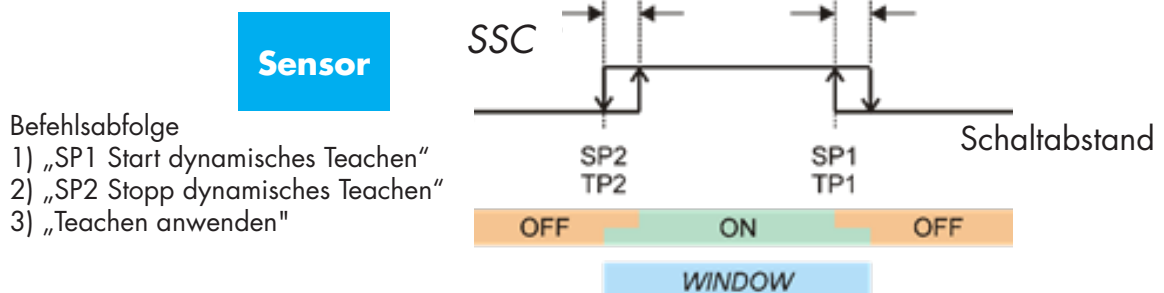
1) Befehlsabfolge für Einzelwert-Teachvorgang

- #65 „SP1 Einzelwert-Teachen“
- #66 „SP2 Einzelwert-Teachen“
- #64 „Teachen anwenden“ (optionaler Befehl)



2) Befehlsabfolge für dynamisches Teachen

- #71 „SP1 Start dynamisches Teachen“
- #72 „SP1 Stopp dynamisches Teachen“
- #73 „SP2 Start dynamisches Teachen“
- #74 „SP2 Stopp dynamisches Teachen“
- #64 „Teachen anwenden“ (optionaler Befehl)



2.6. Sensorspezifisch einstellbare Parameter

Neben den Parametern, die sich direkt auf die Ausgangskonfiguration beziehen, verfügt der Sensor auch über verschiedene interne Parameter, die für Einrichtung und Diagnose nützlich sind.

2.6.1. Auswahl lokal/remote teach

Der Schaltabstand kann entweder mit dem Potenziometer oder mithilfe von Teach-by-Wire über den externen Eingang des Sensors eingestellt werden. Alternativ kann das Potentiometer auch deaktiviert werden, um den Sensor manipulationssicher zu machen.

2.6.2. Prozessdaten und Variablen

Wird der Sensor im IO-Link-Modus betrieben, hat der Benutzer Zugriff auf die zyklische Prozessdatenvariable.

Standardmäßig zeigen die Prozessdaten die folgenden Parameter als aktiv an: 16-Bit-Analogwert, Schaltausgang 1 (SO1) und Schaltausgang 2 (SO2).

Die folgenden Parameter sind als inaktiv eingestellt: SSC1, SSC2, DA1, DA2, TA, SC.

Durch Änderung des Prozessdaten-Konfigurationsparameters kann der Benutzer jedoch auch den Zustand der inaktiven Parameter aktivieren. Auf diese Weise können mehrere Zustände gleichzeitig im Sensor beobachtet werden.

Byte 0	31	30	29	28	27	26	25	24
	MSB							
Byte 1	23	22	21	20	19	18	17	16
								LSB
Byte 2	15	14	13	12	11	10	9	8
			SC	TA	DA2	DA1	SSC2	SSC1
Byte 3	7	6	5	4	3	2	1	0
							SO2	SO1

4 Bytes

Analogwert 16–31 (16 Bit)

2.6.3. Einstellung der Sensoranwendung

Der Sensor verfügt über 3 anwendungsspezifische Voreinstellungen:

- Messbereichsendwert: Die Sollwerte des Sensors können auf den Messbereichsendwert eingestellt werden und die Messgeschwindigkeit ist auf Maximum eingestellt.
- Flüssigkeitsstand: Zu verwenden für sich langsam bewegende Objekte mit hoher Permittivität, wie z. B. bei der Erkennung von Flüssigkeiten auf Wasserbasis. Bei Auswahl dieser Funktion werden die Teach- und Potentiometereinstellungen auf hohe Skalierung optimiert. In diesem Modus ist der Erfassungsfiler auf 100 eingestellt.
- Kunststoffpellets: Zu verwenden für sich langsam bewegende Objekte mit niedriger Permittivität, wie z. B. bei der Erkennung von Kunststoffpellets. Bei Auswahl dieser Funktion werden die Teach- und Potentiometereinstellungen auf niedrige Skalierung optimiert. In diesem Modus ist der Erfassungsfiler auf 100 eingestellt.

2.6.4. Temperaturalarm-Grenzwert

Die Temperatur, bei der der Temperaturalarm ausgelöst wird, kann für die Höchst- und Mindesttemperatur geändert werden. Dies bedeutet, dass der Sensor einen Alarm bei Überschreitung der Höchst- oder Mindesttemperatur auslöst. Die Temperaturen können zwischen -50 °C und +150 °C eingestellt werden. Die Werkseinstellungen sind: unterer Grenzwert -30 °C und oberer Grenzwert +120 °C.

2.6.5. Sichere Grenzwerte

Der Sensor verfügt über einen eingebauten Sicherheitsspielraum, der die Erfassung der Sollwerte mit einem zusätzlichen Sicherheitsspielraum unterstützt. Die Werkseinstellung ist auf das Doppelte der Standardhysterese des Sensors eingestellt. Beispiel: Bei einem CA18FAN.... Sensor mit einer Hysterese von 15 % ist der Sicherheitsspielraum auf 30 % eingestellt.

Dieser Wert kann für SSC1 oder SSC2 einzeln von 0 % bis 100 % eingestellt werden.

2.6.6. Ereigniskonfiguration

Temperaturereignisse, die über die IO-Link-Schnittstelle übertragen werden, sind im Sensor standardmäßig ausgeschaltet. Wenn der Benutzer Informationen über kritische Temperaturen in der Sensoranwendung erhalten möchte, können mit diesem Parameter die folgenden 5 Ereignisse aktiviert oder deaktiviert werden:

- Temperaturfehlerereignis: Der Sensor erkennt Temperaturen außerhalb des spezifizierten Arbeitsbereichs.
- Temperaturüberschreitung: Der Sensor erkennt Temperaturen, die höher sind, als beim Temperaturalarm-Grenzwert eingestellt.
- Temperaturunterschreitung: Der Sensor erkennt Temperaturen, die tiefer sind, als beim Temperaturalarm-Grenzwert eingestellt.
- Kurzschluss: Der Sensor erkennt, ob der Sensorausgang kurzgeschlossen ist.
- Wartung: Der Sensor erkennt, ob eine Wartung erforderlich ist, wie z. B. die Reinigung des Sensors.

2.6.7. „Quality of Run“ (QoR)

Der Prozessqualitätswert „Quality of Run“ gibt Auskunft über die tatsächliche Erkennungsleistung im Vergleich zu den Sollwerten des Sensors. Je höher der Wert, desto besser die Erkennungsqualität.

Der QoR-Wert kann von 0 bis 255 % abweichen.

Der QoR-Wert wird für jeden Erkennungszyklus aktualisiert.

Beispiele für QoR sind in der folgenden Tabelle aufgeführt.

„Quality of Run“-Wert	Definitionen
>150 %	Hervorragende Messbedingungen. Es wird davon ausgegangen, dass der Sensor keine Wartung benötigt.
100 %	Gute Messbedingungen. Die Sensorleistung ist genauso gut, als wenn die Sollwerte manuell eingelernt oder eingestellt worden wären. Der Sicherheitsspielraum beträgt das Doppelte der Standardhysterese. <ul style="list-style-type: none"> • Langfristige Zuverlässigkeit wird für alle Umgebungsbedingungen erwartet. • Wartungsbedarf ist nicht zu erwarten.
50 %	Durchschnittliche Messbedingungen <ul style="list-style-type: none"> • Kurzfristige Zuverlässigkeit; Wartung ist aufgrund der Umgebungsbedingungen zu erwarten. • Eine zuverlässige Erkennung ist bei eingeschränktem Umgebungseinfluss zu erwarten.
0 %	Schlechte bis unzuverlässige Messbedingungen werden erwartet.

2.6.8. „Quality of Teach“ (QoT)

Der Qualitätswert für den Teachvorgang gibt Auskunft darüber, wie gut der eigentliche Teachvorgang durchgeführt wurde, d. h. er gibt die Marge zwischen den tatsächlichen Sollwerten und dem Umgebungseinfluss des Sensors an.

Der QoT-Wert kann zwischen 0 und 255 % variieren.

Der QoT-Wert wird nach jedem Teachvorgang aktualisiert.

Beispiele für QoT sind in der folgenden Tabelle aufgeführt.

„Quality of Teach“-Wert	Definitionen
>150 %	Hervorragende Teachbedingungen. Es wird davon ausgegangen, dass der Sensor keine Wartung benötigt.
100 %	Gute Teachbedingungen. Der Sensor wurde mit einem Sicherheitsspielraum von dem Zweifachen der Standardhysterese eingelernt. <ul style="list-style-type: none"> • Langfristige Zuverlässigkeit wird für alle Umgebungsbedingungen erwartet. • Wartungsbedarf ist nicht zu erwarten.
50 %	Durchschnittliche Teachbedingungen <ul style="list-style-type: none"> • Kurzfristige Zuverlässigkeit; Wartung ist aufgrund der Umgebungsbedingungen zu erwarten. • Eine zuverlässige Erkennung ist bei eingeschränktem Umgebungseinfluss zu erwarten.
0 %	Schlechtes Teachergebnis. <ul style="list-style-type: none"> • Unzuverlässige Messbedingungen werden erwartet (z. B. zu kleiner Messbereich zwischen Messobjekt und Umgebung).

2.6.9. Erfassungsfiler

Diese Funktion kann die Störfestigkeit bei instabilen Messobjekten und elektromagnetischen Störungen erhöhen: Der Wert kann von 1 bis 255 eingestellt werden, die Werkseinstellung ist 1.

Eine Filtereinstellung von 1 ergibt die maximale Messfrequenz und eine Einstellung von 255 die minimale Messfrequenz.

2.6.10. LED-Anzeige

Die LED-Anzeige verfügt über 3 verschiedene Modi: Inaktiv, Aktiv oder Meinen Sensor finden.

Inaktiv: Die LEDs sind durchgehend ausgeschaltet

Aktiv: Die LEDs folgen dem Anzeigeschema unter 5.1.

Meinen Sensor finden: Die LEDs blinken abwechselnd mit 2 Hz und 50% Einschaltdauer, um den Sensor zu lokalisieren.

2.7. Diagnoseparameter

2.7.1. Betriebsstunden

Der Sensor hat einen eingebauten Zähler, der jede volle Betriebsstunde des Sensors protokolliert. Die maximale Aufzeichnungsdauer beträgt 2.147.483.647 Stunden. Dieser Wert kann von einem IO-Link-Master ausgelesen werden.

2.7.2. Anzahl der Ein- und Ausschaltzyklen [Zyklen]

Der Sensor hat einen eingebauten Zähler, der jeden Einschaltvorgang des Sensors protokolliert. Der Wert wird stündlich gespeichert. Die Zyklenzahl, die maximal aufgezeichnet werden kann, beträgt 2.147.483.647 Zyklen. Dieser Wert kann von einem IO-Link-Master ausgelesen werden.

2.7.3. Höchsttemperatur – Höchster Rekordwert [°C]

Der Sensor verfügt über eine eingebaute Funktion, die die höchste Temperatur protokolliert, der der Sensor während der gesamten Lebensdauer ausgesetzt war. Dieser Parameter wird einmal pro Stunde aktualisiert und kann von einem IO-Link-Master ausgelesen werden.

2.7.4. Tiefsttemperatur – Tiefster Rekordwert [°C]

Der Sensor verfügt über eine eingebaute Funktion, die die niedrigste Temperatur protokolliert, der der Sensor während der gesamten Lebensdauer ausgesetzt war. Dieser Parameter wird einmal pro Stunde aktualisiert und kann von einem IO-Link-Master ausgelesen werden.

2.7.5. Höchsttemperatur – seit letztem Einschalten [°C]

Über diesen Parameter kann der Benutzer Informationen über die maximale registrierte Temperatur seit dem Einschalten erhalten. Dieser Wert wird nicht im Sensor gespeichert.

2.7.6. Tiefsttemperatur – seit letztem Einschalten [°C]

Über diesen Parameter kann der Benutzer Informationen über die minimale registrierte Temperatur seit dem Einschalten erhalten. Dieser Wert wird nicht im Sensor gespeichert.

2.7.7. Aktuelle Temperatur [°C]

Über diesen Parameter kann der Benutzer Informationen über die aktuelle Temperatur des Sensors erhalten.

2.7.8. Zähler für Zustandsänderung in SCC1 [Zyklen]

Der Sensor protokolliert jede Zustandsänderung des SSC1. Dieser Parameter wird einmal pro Stunde aktualisiert und kann von einem IO-Link-Master ausgelesen werden.

2.7.9. Minuten über Höchsttemperatur [min]

Der Sensor protokolliert, wie viele Minuten der Sensor über der maximalen Temperatur für den Sensor in Betrieb war. Die maximal aufzeichenbare Minutenzahl beträgt 2.147.483.647. Dieser Parameter wird einmal pro Stunde aktualisiert und kann von einem IO-Link-Master ausgelesen werden.

2.7.10. Minuten unter Mindesttemperatur [min]

Der Sensor protokolliert, wie viele Minuten der Sensor unter der minimalen Temperatur für den Sensor in Betrieb war. Die maximal aufzeichenbare Minutenzahl beträgt 2.147.483.647. Dieser Parameter wird einmal pro Stunde aktualisiert und kann von einem IO-Link-Master ausgelesen werden.

2.7.11. Zähler für Wartungsereignisse

Der Sensor protokolliert, wie oft der Ereigniszähler um Wartung gebeten hat. Die Ereigniszahl, die maximal aufgezeichnet werden kann, beträgt 2.147.483.647. Dieser Parameter wird einmal pro Stunde aktualisiert und kann von einem IO-Link-Master ausgelesen werden.

2.7.12. Download counter

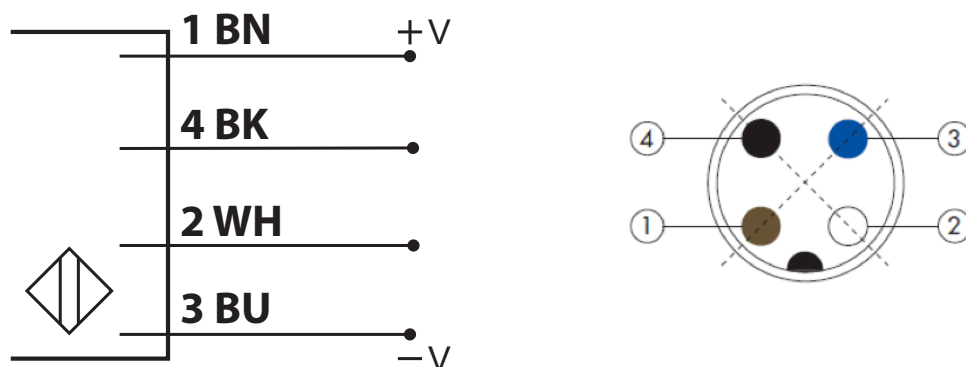
Der Sensor protokolliert, wie oft die Parameter im Sensor geändert wurden. Die Änderungszahl, die maximal aufgezeichnet werden kann, beträgt 65.536. Dieser Parameter wird einmal pro Stunde aktualisiert und kann von einem IO-Link-Master ausgelesen werden.

HINWEIS!

Die vom Sensor gemessene Temperatur ist aufgrund der internen Erwärmung immer höher als die Umgebungstemperatur.

Die Differenz zwischen Umgebungstemperatur und Innentemperatur wird dadurch beeinflusst, wie der Sensor in der Anwendung verbaut ist. Wenn der Sensor in einer Metallhalterung montiert ist, ist die Differenz geringer als wenn der Sensor in einer Kunststoffhalterung montiert ist.

3. Pinbelegung



Pin	Farbe	Signal	Beschreibung
1	Braun	10–40 VDC	Sensorversorgung
2	Blau	GND	Masse
3	Schwarz	Last	IO-Link / Ausgang 1 / SIO-Modus
4	Weiß	Last	Ausgang 2 / SIO-Modus / Externer Eingang / Externer remote teach

4. Inbetriebnahme

50 ms nach dem Einschalten der Spannungsversorgung ist der Sensor betriebsbereit.

Bei Anschluss an einen IO-Link-Master ist keine zusätzliche Einstellung erforderlich. Die IO-Link-Kommunikation startet automatisch, nachdem der IO-Link-Master einen Weckruf an den Sensor gesendet hat.

5. Betrieb

5.1. Benutzeroberfläche von CA18FA...IO und CA30FA... IO

CA18FA...IO und CA30FA...IO Sensoren sind mit einer gelben und einer grünen LED ausgestattet.

Grüne LED	Gelbe LED	Stromversorgung	Erkennung
SIO- und IO-Link-Modus			
EIN	EIN	EIN	EIN (stabil)* SSC1
EIN	AUS	EIN	AUS (stabil)* SSC1
AUS	EIN	-	EIN (nicht stabil) SSC1
AUS	AUS	-	AUS (nicht stabil) SSC1
-	Blinkend, 10 Hz 50 % Einschaltdauer	EIN	Ausgangskurzschluss
-	Blinkend (0,5–20 Hz)	EIN	Timer-Anzeige
Nur SIO-Modus			
-	Blinkend, 1 Hz EIN - 10 % Einschaltdauer AUS - 90 % Einschaltdauer	EIN	Externer remote teach per wire. Nur für „Ein Grenzwert“
-	Blinkend, 1 Hz EIN - 90 % Einschaltdauer AUS - 10 % Einschaltdauer	EIN	Teach-Zeitfenster (3–6 s)
-	Blinkend, 10 Hz EIN - 50 % Einschaltdauer AUS - 50 % Einschaltdauer Blinkdauer 2 s	EIN	Teach-Zeitüberschreitung (12 s)
-	Blinkend, 2 Hz EIN - 50 % Einschaltdauer AUS - 50 % Einschaltdauer Blinkdauer 2 s	EIN	Teachvorgang erfolgreich
Nur IO-Link-Modus			
Blinkend, 1 Hz Stabil: EIN - 90 % Einschaltdauer AUS - 10 % Einschaltdauer Nicht stabil: EIN - 90 % Einschaltdauer AUS - 10 % Einschaltdauer	-	EIN	Sensor im IO-Link-Modus
Blinkend, 10 Hz 50 % Einschaltdauer		EIN	Meinen Sensor finden

* Beide LEDs können deaktiviert werden.

6. IODD-Datei und Werkseinstellung

6.1. IODD-Datei eines IO-Link-Geräts

Alle Merkmale, Geräteparameter und Einstellwerte des Sensors werden in einer Datei mit der Bezeichnung „I/O Device Description“ (IODD-Datei) zusammengefasst. Die IODD-Datei wird benötigt, um die Kommunikation zwischen dem IO-Link-Master und dem Sensor herzustellen. Jeder Anbieter eines IO-Link-Geräts muss diese Datei vorhalten und auf der Website zum Download bereitstellen. Die Datei ist komprimiert, daher muss sie vor der Verwendung entpackt werden.

Die IODD-Datei enthält:

- Prozess- und Diagnosedaten
- Parameterbeschreibungen mit dem Namen, dem zulässigen Bereich, der Art der Daten und der Adresse (Index und Subindex)
- Kommunikationseigenschaften, einschließlich der minimalen Zykluszeit des Geräts
- Gerätekennung, Artikelnummer, Bild des Geräts und Logo des Herstellers

IODD-Dateien werden auf der Website von Carlo Gavazzi zur Verfügung gestellt: tbd

6.2. Werkseinstellungen

Die Werkseinstellungen sind in Kapitel 7, „Anhang“ unter den Standardwerten aufgeführt.

7. Anhang

7.1. Abkürzungen

DA	Staubalarm
IntegerT	Integer mit Vorzeichen
OctetStringT	Array aus Oktetts
PDV	Prozessdatenvariable
R/W	Lesen und Schreiben
RO	Nur Lesen
SO	Schaltausgang
SP	Sollwert
SSC	Schaltsignalkanal
StringT	Zeichenfolge aus ASCII-Zeichen
TA	Temperaturalarm
UIntegerT	Integer ohne Vorzeichen
WO	Nur Schreiben

7.2. IO-Link-Geräteparameter für CA18FA.. und CA30FA..

7.2.1. Geräteparameter

Parametername	Index, dec (hex)	Zugriff	Standardwert	Datenbereich	Datentyp	Länge
Lieferantenname	16 (0x10)	RO	Carlo Gavazzi	-	StringT	20 Bytes
Lieferantentext	17 (0x11)	RO	www.gavazziautomation.com	-	StringT	26 Bytes
Produktbezeichnung	18 (0x12)	RO	(Sensorname) z. B. CA30FAN25BPA2IO	-	StringT	20 Bytes
Produkt-ID	19 (0x13)	RO	(EAN-Code des Produkts) z. B. 5709870394046	-	StringT	13 Bytes
Produkttext	20 (0x14)	RO	Kapazitiver Näherungsschalter	-	StringT	30 Bytes
Seriennummer	21 (0x15)	RO	(Eindeutige Seriennummer) z. B. LR24101830834	-	StringT	13 Bytes
Hardware-Version	22 (0x16)	RO	(Hardware-Version) z. B. v01.00	-	StringT	6 Bytes
Firmware-Version	23 (0x17)	RO	(Software-Version) z. B. v01.00	-	StringT	6 Bytes
Anwendungsspezifisches Tag	24 (0x18)	RW	***	Beliebige Zeichenfolge mit bis zu 32 Zeichen	StringT	max. 32 Bytes
Function Tag	25 (0x19)	RW	***	Beliebige Zeichenfolge mit bis zu 32 Zeichen	StringT	max. 32 Bytes
Location Tag	26 (0x1A)	RW	***	Beliebige Zeichenfolge mit bis zu 32 Zeichen	StringT	max. 32 Bytes
Fehleranzahl	32 (0x20)	RO	0	0 bis 65.535	IntegerT	16 Bit
Gerätestatus	36 (0x24)	RO	0 = Gerät arbeitet einwandfrei	0 = Gerät arbeitet einwandfrei 1 = Wartung erforderlich 2 = Außerhalb der Spezifikation 3 = Funktionsprüfung 4 = Störung	UIntegerT	8 Bit
Detaillierter Gerätestatus	37 (0x25)		-	-		3 Bytes
Temperaturfehler	-	RO	-	-	OctetStringT	3 Bytes
Temperaturüberschreitung	-	RO	-	-	OctetStringT	3 Bytes
Temperaturunterschreitung	-	RO	-	-	OctetStringT	3 Bytes
Kurzschluss	-	RO	-	-	OctetStringT	3 Bytes
Wartung erforderlich	-	RO	-	-	OctetStringT	3 Bytes
Prozessdateneingabe	40 (0x28)	RO	-	-	IntegerT	32 Bit

7.2.2. SSC-Parameter

Parametername	Index, dec (hex)	Zugriff	Standardwert	Datenbereich	Datentyp	Länge
Teach-in Auswahl	58 (0x3A)	RW	1 = Schaltsignalkanal 1	0 = Standardkanal 1 = Schaltsignalkanal 1 2 = Schaltsignalkanal 2 255 = Alle SSC	UIntegerT	8 Bit
Teach-in Ergebnis	59 (0x3B)	-	-	-	RecordT	8 Bit
Teach-in Zustand	1 (0x01)	RO	0 = Leerlauf	0 = Ruhemodus 1 = Erfolgreich 4 = Warte auf Befehl 5 = Beschäftigt 7 = Fehler	-	-
Flag SP1 TP1 Teachpunkt 1 von Sollwert 1	2 (0x02)	RO	0 = Nicht OK	0 = Nicht OK 1 = OK	-	-
Flag SP1 TP2 Teachpunkt 2 von Sollwert 1	3 (0x03)	RO	0 = Nicht OK	0 = Nicht OK 1 = OK	-	-
Flag SP2 TP1 Teachpunkt 1 von Sollwert 2	4 (0x04)	RO	0 = Nicht OK	0 = Nicht OK 1 = OK	-	-
Flag SP2 TP2 Teachpunkt 2 von Sollwert 2	5 (0x05)	RO	0 = Nicht OK	0 = Nicht OK 1 = OK	-	-
SSC1-Parameter (Schaltsignalkanal)	60 (0x3C)		-	-	-	-
Sollwert 1 (SP1)	1 (0x01)	R/W	1.000	0 bis 10.000	IntegerT	16 Bit
Sollwert 2 (SP2)	2 (0x02)	R/W	10.000	0 bis 10.000	IntegerT	16 Bit
SSC1-Konfiguration (Schaltsignalkanal)	61 (0x3D)	-	-	-	-	-
Schaltlogik 1	1 (0x01)	R/W	0 = aktiv-high	0 = aktiv-high 1 = aktiv-low	UIntegerT	8 Bit
Modus 1	2 (0x02)	R/W	1 = Betriebsartmodus, ein Grenzwert	0 = Deaktiviert 1 = Betriebsartmodus, ein Grenzwert 2 = Fensterbetrieb 3 = Betriebsartmodus, zwei Grenzwerte	UIntegerT	8 Bit
Hysterese 1	3 (0x03)	R/W	CA18FAF 6 % CA18FAN 15 % CA30FAF 7 % CA30FAN 10 %	1 bis 100	UIntegerT	16 Bit
SSC2-Parameter	62 (0x3E)		-	-	-	-
Sollwert 1 (SP1)	1 (0x01)	R/W	1.000	0 bis 10.000	IntegerT	16 Bit
Sollwert 2 (SP2)	2 (0x02)	R/W	10.000	0 bis 10.000	IntegerT	16 Bit
SSC2-Konfiguration	63 (0x3F)				UIntegerT	8 Bit
Schaltlogik 2	1 (0x01)	R/W	0 = aktiv-high	0 = aktiv-high 1 = aktiv-low	UIntegerT	8 Bit
Modus 2	2 (0x02)	R/W	1 = Betriebsartmodus, ein Grenzwert	0 = Deaktiviert 1 = Betriebsartmodus, ein Grenzwert 2 = Fensterbetrieb 3 = Betriebsartmodus, zwei Grenzwerte	UIntegerT	8 Bit
Hysterese 2	3 (0x03)	R/W	CA18FAF 6 % CA18FAN 15 % CA30FAF 8 % CA30FAN 10 %	1 bis 100	UIntegerT	16 Bit

7.2.3. Ausgangsparameter

Parametername	Index, dec (hex)	Zugriff	Standardwert	Datenbereich	Datentyp	Länge
Kanal 1 (S01)	64 (0x40)					
Betriebsart Schaltausgangsstufe 1	1 (0x01)	R/W	1 = PNP-Ausgang	0 = Deaktivierter Ausgang 1 = PNP-Ausgang 2 = NPN-Ausgang 3 = Gegentakt-Ausgang	UIntegerT	8 Bit
Eingangswähler 1	2 (0x02)	R/W	1 = SSC 1	0 = Deaktiviert 1 = SSC 1 2 = SSC 2 3 = Verschmutzungsalarm 1 (DA1) 4 = Verschmutzungsalarm 2 (DA2) 5 = Temperaturalarm (TA) 6 = Externer Logikeingang	UIntegerT	8 Bit
Timer 1 – Modus	3 (0x03)	R/W	0 = Deaktivierter Timer	0 = Deaktivierter Timer 1 = Einschaltverzögerung 2 = Ausschaltverzögerung 3 = Ein-/Ausschaltverzögerung 4 = Einschaltwischend 5 = Ausschaltwischend	UIntegerT	8 Bit
Timer 1 – Skala	4 (0x04)	R/W	0 = Millisekunden	0 = Millisekunden 1 = Sekunden 2 = Minuten	UIntegerT	8 Bit
Timer 1 – Wert	5 (0x05)	R/W	0	0 bis 32.767	IntegerT	16 Bit
Logikfunktion 1	7 (0x07)	R/W	0 = Direkt	0 = Direkt 1 = AND 2 = OR 3 = XOR 4 = Gated SR-FF	UIntegerT	8 Bit
Ausgangsinvertierer 1	8 (0x08)	R/W	0 = Nicht invertiert (Schließer)	0 = Nicht invertiert (Schließer) 1 = Invertiert (Öffner)	UIntegerT	8 Bit
Kanal 2 (S02)	65 (0x41)					
Betriebsart Schaltausgangsstufe 2	1 (0x01)	R/W	1 = PNP-Ausgang	0 = Deaktivierter Ausgang 1 = PNP-Ausgang 2 = NPN-Ausgang 3 = Gegentakt-Ausgang 4 = Digitaler Logikeingang (aktiv-high/Pull-down) 5 = Digitaler Logikeingang (aktiv-low/Pull-up) 6 = Teachen (aktiv-high)	UIntegerT	8 Bit
Eingangswähler 2	2 (0x02)	R/W	1 = SSC 1	0 = Deaktiviert 1 = SSC 1 2 = SSC 2 3 = Verschmutzungsalarm1 (DA1) 4 = Verschmutzungsalarm 2 (DA2) 5 = Temperaturalarm (TA) 6 = Externer Logikeingang	UIntegerT	8 Bit
Timer 2 – Modus	3 (0x03)	R/W	0 = Deaktivierter Timer	0 = Deaktivierter Timer 1 = Einschaltverzögerung 2 = Ausschaltverzögerung 3 = Ein-/Ausschaltverzögerung 4 = Einschaltwischend 5 = Ausschaltwischend	UIntegerT	8 Bit
Timer 2 – Skala	4 (0x04)	R/W	0 = Millisekunden	0 = Millisekunden 1 = Sekunden 2 = Minuten	UIntegerT	8 Bit
Timer 2 – Wert	5 (0x05)	R/W	0	0 bis 32.767	IntegerT	16 Bit
Logikfunktion 2	7 (0x07)	R/W	0 = Direkt	0 = Direkt 1 = AND 2 = OR 3 = XOR 4 = Gated SR-FF	UIntegerT	8 Bit
Ausgangsinvertierer 2	8 (0x08)	R/W	1 = Invertiert (Öffner)	0 = Nicht invertiert (Schließer) 1 = Invertiert (Öffner)	UIntegerT	8 Bit

7.2.4. Sensorspezifisch einstellbare Parameter

Parametername	Index, dec (hex)	Zugriff	Standardwert	Datenbereich	Datentyp	Länge
Einstellung lokal/ remote teach	68 (0x44)	RW	1 = Pot.-Stellschraubeneingabe	0 = Deaktiviert 1 = Potenziometer 2 = Teach-by-Wire	UIntegerT	8 Bit
Potentiometer-Stellschraubenwert	69 (0x45)	RO		10 bis 10.000		
Prozessdatenkonfiguration	70 (0x46)	RW			RecordT	16 Bit
Analogwert	1 (0x01)	RW	1 = Analogwert Aktiv	0 = Analogwert Inaktiv 1 = Analogwert Aktiv		
Schaltausgang 1	2 (0x02)	RW	1 = Schaltausgang 1 Aktiv	0 = Schaltausgang 1 Inaktiv 1 = Schaltausgang 1 Aktiv		
Schaltausgang 2	3 (0x03)	RW	1 = Schaltausgang 2 Aktiv	0 = Schaltausgang 2 Inaktiv 1 = Schaltausgang 2 Aktiv		
Schaltsignal Kanal 1 (SCC1)	4 (0x04)	RW	0 = SSC1 Inaktiv	0 = SSC1 Inaktiv 1 = SSC1 Aktiv		
Schaltsignal Kanal 2 (SCC2)	5 (0x05)	RW	0 = SSC2 Inaktiv	0 = SSC2 Inaktiv 1 = SSC2 Aktiv		
Verschmutzungsalarm 1 (DA1)	6 (0x06)	RW	0 = DA1 Inaktiv	0 = DA1 Inaktiv 1 = DA1 Aktiv		
Verschmutzungsalarm 2 (DA2)	7 (0x07)	RW	0 = DA2 Inaktiv	0 = DA2 Inaktiv 1 = DA2 Aktiv		
Temperaturalarm (TA)	8 (0x08)	RW	0 = TA Inaktiv	0 = TA Inaktiv 1 = TA Aktiv		
Kurzschluss (SC)	9 (0x09)	RW	0 = SC Inaktiv	0 = SC Inaktiv 1 = SC Aktiv		
Anwendungsspez. Sensorvoreinstellung	71 (0x47)	R/W	0 = Messbereichsendwert	0 = Messbereichsendwert 1 = Flüssigkeitsstand 2 = Kunststoffpellets	UIntegerT	8 Bit
Temperaturalarm-Grenzwert	72 (0x48)	R/W			RecordT	30 bit
Oberer Grenzwert	1 (0x01)	R/W	120	-50 bis 150 [°C]	IntegerT	16 Bit
Unterer Grenzwert	2 (0x02)	R/W	-30	-50 bis 150 [°C]	IntegerT	16 Bit
Sichere EIN/AUS-Grenzwerte	73 (0x49)	R/W			RecordT	16 bit
SSC 1 – Sicherer Grenzwert	1 (0x01)	R/W	2-fache Standardhysterese	0 bis 100	UIntegerT	8 Bit
SSC 2 – Sicherer Grenzwert	2 (0x02)	R/W	2-fache Standardhysterese	0 bis 100	UIntegerT	8 Bit
Ereigniskonfiguration	74 (0x4A)	R/W			RecordT	16 Bit
Wartung (0x8C30)	1 (0x01)	R/W	0 = Wartung Benachrichtigungsereignis Inaktiv	0 = Benachrichtigungsereignis Inaktiv 1 = Benachrichtigungsereignis Aktiv		
Temperaturfehlerereignis (0x4000)	2 (0x02)	R/W	0 = Temperaturfehler Fehlerereignis Inaktiv	0 = Fehlerereignis Inaktiv 1 = Fehlerereignis Aktiv		
Temperaturüberschreitung (0x4210)	3 (0x03)	R/W	0 = Temperaturüberschreitung Warnereignis Inaktiv	0 = Warnereignis Inaktiv 1 = Warnereignis Aktiv		
Temperaturunterschreitung (0x4220)	4 (0x04)	R/W	0 = Temperaturunterschreitung Warnereignis Inaktiv	0 = Warnereignis Inaktiv 1 = Warnereignis Aktiv		
Kurzschluss (0x7710)	5 (0x05)	R/W	0 = Kurzschluss Fehlerereignis Inaktiv	0 = Fehlerereignis Inaktiv 1 = Fehlerereignis Aktiv		
Quality of Teach	75 (0x4B)	RO	-	0 bis 255	UIntegerT	8 Bit
Quality of Run	76 (0x4C)	RO	-	0 bis 255	UIntegerT	8 Bit
Erfassungsfiler	77 (0x4D)	R/W	1	0 bis 255	UIntegerT	8 Bit
LED-Anzeige	78 (0x4E)	R/W	1 = LED-Anzeige Aktiv	0 = LED-Anzeige Inaktiv 1 = LED-Anzeige Aktiv 2 = Meinen Sensor finden	UIntegerT	8 Bit

7.2.5. Diagnoseparameter

Parametername	Index, dec (hex)	Zugriff	Standardwert	Datenbereich	Datentyp	Länge
Betriebsstunden	201 (0xC9)	RO	0	0 bis 2.147.483.647 [h]	IntegerT	32 Bit
Anzahl der Ein-und Ausschaltzyklen	202 (0xCA)	RO	0	0 bis 2.147.483.647	IntegerT	32 Bit
Höchsttemperatur– höchster Rekordwert	203 (0xCB)	RO	0	-50 bis 150 [°C]	IntegerT	16 Bit
Tiefsttemperatur– tiefster Rekordwert	204 (0xCC)	RO	0	-50 bis 150 [°C]	IntegerT	16 Bit
Höchsttemperatur seit Einschalten	205 (0xCD)	RO	-	-50 bis 150 [°C]	IntegerT	16 Bit
Tiefsttemperatur seit Einschalten	206 (0xCE)	RO	-	-50 bis 150 [°C]	IntegerT	16 Bit
Aktuelle Temperatur	207 (0xCF)	RO	-	-50 bis 150 [°C]	IntegerT	16 Bit
Zähler für Zustandsänderung in SCC1	210 (0xD2)	RO	-	0 bis 2.147.483.647	IntegerT	32 Bit
Minuten über Höchsttemperatur	211 (0xD3)	RO	-	0 bis 2.147.483.647 [min]	IntegerT	32 Bit
Minuten unter Mindesttemperatur	212 (0xD4)	RO	-	0 bis 2.147.483.647 [min]	IntegerT	32 Bit
Zähler für Wartungsereignisse	213 (0xD5)	RO	0	0 bis 2.147.483.647	IntegerT	32 Bit
Download counter	214 (0xD6)	RO	0	0 bis 65.536	UIntegerT	16 Bit



CARLO GAVAZZI

Capteurs capacitifs IO-Link

CA18FA, CA30FA

Instruction manual

Betriebsanleitung

Manuel d'instructions

Manual de instrucciones

Manuale d'istruzione

Brugervejledning

使用手册

Carlo Gavazzi Industri Over Hadstenevej 40, 8340 Hadsten, Danmark

Contents

1. Introduction	64
1.1. Description	64
1.2. Validité de la documentation	64
1.3. Qui doit utiliser cette documentation.	64
1.4. Utilisation du produit	64
1.5. Précautions de sécurité	64
1.6. Autres documents	64
1.7. Acronymes	65
2. Produit	66
2.1. Caractéristiques principales	66
2.2. Numéro d'identification	66
2.3. Modes de fonctionnement.	67
2.3.1. Mode SIO	67
2.3.2. Mode IO-Link	67
2.4. Paramètres de sortie.	68
2.4.1. Face avant du capteur	68
2.4.2. Sélecteur d'entrée	71
2.4.3. Bloc fonction logique	71
2.4.4. Minuterie (peut être réglée individuellement pour Out1 et Out2)	73
2.4.5. Onduleur de sortie.	76
2.4.6. Mode Niveau de sortie	76
2.5. Procédure d'apprentissage	77
2.5.1. Apprentissage externe (apprentissage par fil)	77
2.5.2. Apprentissage à partir d'une borne maître IO-Link.	77
2.6. Paramètres réglables spécifiques au capteur	80
2.6.1. Sélection du réglage local ou à distance	80
2.6.2. Données et variables de processus.	80
2.6.3. Réglage de l'application du capteur	80
2.6.4. Seuil d'alarme de température	80
2.6.5. Limites de sécurité	81
2.6.6. Configuration des événements.	81
2.6.7. Qualité du fonctionnement QoR	81
2.6.8. Qualité de l'apprentissage QoT	82
2.6.9. Variateur de filtre.	82
2.6.10. Indication par LED.	82
2.7. Paramètres de diagnostic	83
3. Schémas de câblage	84
4. Mise en service	84
5. Fonctionnement.	85
5.1. Interface utilisateur de CA18FA...IO et CA30FA... IO	85
6. Fichier IODD et réglage d'usine	86
6.1. Fichier IODD d'un appareil IO-Link	86
6.2. Réglages d'usine	86
7. Annexe.	86
7.1. Acronymes	86
7.2. Paramètres des dispositifs IO-Link pour CA18FA.. et CA30FA..	87
7.2.1. Paramètres de l'appareil	87
7.2.2. Paramètres SSC.	88
7.2.3. Paramètres de sortie	89
7.2.4. Paramètres réglables spécifiques au capteur.	90
7.2.5. Paramètres de diagnostic	91
Dimensions	212
Montage.	212
Stabilité de la détection.	213
Conseils d'Installation	214

1. Introduction

Ce manuel est un guide de référence pour les capteurs de proximité capacitifs Carlo Gavazzi IO-Link CA18FA...IO et CA30FA...IO. Il décrit comment installer, configurer et utiliser le produit pour l'usage auquel il est destiné.

1.1. Description

Les capteurs capacitifs Carlo Gavazzi sont des dispositifs conçus et fabriqués conformément aux normes internationales CEI et ils sont soumis aux directives CE Basse Tension (2014/35/UE) et Compatibilité Electromagnétique (2014/30/EU).

Tous les droits de ce document sont réservés à Carlo Gavazzi Industri, les copies ne peuvent être faites que pour un usage interne.

N'hésitez pas à faire des suggestions pour améliorer ce document.

1.2 Validité de la documentation

Ce manuel n'est valable que pour les capteurs capacitifs CA18 et CA30 avec IO-Link et jusqu'à la publication d'une nouvelle documentation.

Ce manuel d'instructions décrit le fonctionnement et l'installation du produit pour l'utilisation prévue.

1.3. Qui doit utiliser cette documentation

Ce manuel contient des informations importantes concernant l'installation et doit être lu et compris par le personnel spécialisé qui s'occupe des capteurs capacitifs de proximité.

Nous vous recommandons fortement de lire attentivement le manuel avant d'installer le capteur. Conservez le manuel pour une utilisation ultérieure. Le manuel d'installation est destiné au personnel technique qualifié.

1.4. Utilisation du produit

Les capteurs de proximité capacitifs sont des dispositifs sans contact capables de mesurer la position et/ou le changement de position d'une cible conductrice. Ils sont également capables de mesurer l'épaisseur ou la densité de matériaux non conducteurs. Les capteurs de proximité capacitifs sont utilisés dans une grande variété d'applications, incluant les procédés de moulage du plastique, les systèmes d'alimentation de poulets ou de porcs, les tests de chaîne d'assemblage, les processus de remplissage ou de vidange d'objets solides ou liquides.

Les capteurs CA18FA...IO et CA30FA...IO sont équipés d'une communication IO-Link. En utilisant une borne maître IO-Link, il est possible d'utiliser et de configurer ces appareils.

1.5. Précautions de sécurité

Ce capteur ne doit pas être utilisé dans des applications où la sécurité des personnes dépend de son fonctionnement (le capteur n'est pas conçu conformément à la Directive Machines de l'UE).

L'installation et l'utilisation doivent être effectuées par du personnel technique qualifié ayant des connaissances de base en matière d'installation électrique.

L'installateur est responsable de l'installation correcte et conforme aux normes de sécurité locales et doit s'assurer qu'un capteur défectueux n'entraînera aucun danger pour les personnes ou l'équipement. Si le capteur est défectueux, il doit être remplacé et protégé contre toute utilisation non autorisée.

1.6 Autres documents

Il est possible de trouver la fiche technique, le fichier IODD et le manuel des paramètres IO-Link sur Internet à l'adresse suivante : <http://gavazziautomation.com>.

1.7. Acronymes

I/O	Input/Output (Entrées/sorties)
PD	Process Data (Données de processus)
PLC	Programmable Logic Controller (Contrôleur logique programmable)
SIO	Standard Input Output (Intrants/extrants standard)
SP	Setpoints (Points de consigne)
IODD	I/O Device Description (Description de l'appareil d'E/S)
IEC	International Electrotechnical Commission (Commission électrotechnique internationale)
NO	Normally Open contact (Contact normalement ouvert)
NC	Normally Closed contact (Contact normalement fermé)
NPN	Mettre la charge à la masse
PNP	Mettre la charge à V+
Push-Pull	Mettre la charge à la masse ou à V+
QoR	Quality of Run (Qualité du fonctionnement)
QoT	Quality of Teach (Qualité de l'apprentissage)
UART	Universal Asynchronous Receiver-Transmitter (Émetteur-récepteur asynchrone universel)
SO	Switching Output (Sortie de commutation)
SSC	Switching Signal Channel (Canal du signal de commutation)

2. Produit

2.1. Caractéristiques principales

Les nouveaux capteurs IO-Link Carlo Gavazzi 4 fils DC 4ème génération Tripleshield, construits selon les normes de qualité les plus élevées, sont disponibles en deux tailles de boîtier différentes.

- CA18FA.. Boîtier à filetage cylindrique M18 PTFE pour montage affleurant ou non affleurant avec connecteur M12 à 4 pôles ou câble PVC de 2 mètres.
- CA30FA.. Boîtier à filetage cylindrique M30 PTFE pour montage affleurant ou non affleurant avec connecteur M12 à 4 pôles ou câble PVC de 2 mètres.

Ils peuvent fonctionner en mode I/O standard (SIO), qui est le mode de fonctionnement par défaut. Lorsqu'ils sont connectés à une borne maître IO-Link, ils passent automatiquement en mode IO-Link et peuvent être utilisés et configurés facilement à distance.

Grâce à leur interface IO-Link, ces appareils sont beaucoup plus intelligents et disposent de nombreuses options de configuration supplémentaires, telles que le réglage de la distance de détection et de l'hystérésis et les fonctions de minuterie de la sortie. Les fonctionnalités avancées telles que le bloc fonction logique et la possibilité de convertir une sortie en entrée externe rendent le capteur très flexible pour résoudre les tâches de détection décentralisées.

2.2. Numéro d'identification

Code	Option	Description
C	-	Principe de détection : Capteur capacitif
A	-	Boîtier cylindrique avec barillet fileté
<input type="checkbox"/>	18	Boîtier M18
	30	Boîtier M30
F	-	Boîtier en PTFE
A	-	Détection axiale
<input type="checkbox"/>	F	Installation affleurante
	N	Installation non affleurante
<input type="checkbox"/>	08	Distance de détection de 8 mm (pour CA18...)
	12	Distance de détection de 12 mm (pour CA18...)
	16	Distance de détection de 16 mm (pour CA30...)
	25	Distance de détection de 25 mm (pour CA30...)
B	-	Fonctions sélectionnables : NPN, PNP, Push-Pull, entrée externe (uniquement broche 2), entrée d'apprentissage externe (uniquement broche 2)
P	-	Sélectionnables : NO ou NC
<input type="checkbox"/>	A2	2 mètres de câble en PVC
	M1	Connecteur M12, 4 pôles
IO	-	Version IO-Link

Des caractères supplémentaires peuvent être utilisés pour les versions personnalisées.

2.3. Modes de fonctionnement

Les capteurs capacitifs IO-Link sont équipés de deux sorties de commutation (SO) et peuvent fonctionner dans deux modes différents : mode SIO (mode I/O standard) ou mode IO-Link.

2.3.1. Mode SIO

Lorsque le capteur fonctionne en mode SIO (par défaut), une borne maître IO-Link n'est pas nécessaire. L'appareil fonctionne comme un capteur capacitif standard et peut être utilisé via un appareil de bus de terrain ou un contrôleur (par exemple un PLC) lorsqu'il est connecté à ses entrées numériques PNP, NPN ou push-pull (port I/O standard). L'un des plus grands avantages de ces capteurs capacitifs est la possibilité de les configurer via une borne maître IO-Link. Une fois déconnectés, ils conserveront les derniers paramètres et réglages de configuration. Il est ainsi possible, par exemple, de configurer individuellement les sorties du capteur en tant que PNP, NPN ou push-pull, ou d'ajouter des fonctions de minuterie telles que les minuteries T-on et T-off ou les fonctions logiques et ainsi de satisfaire plusieurs exigences d'application avec le même capteur.

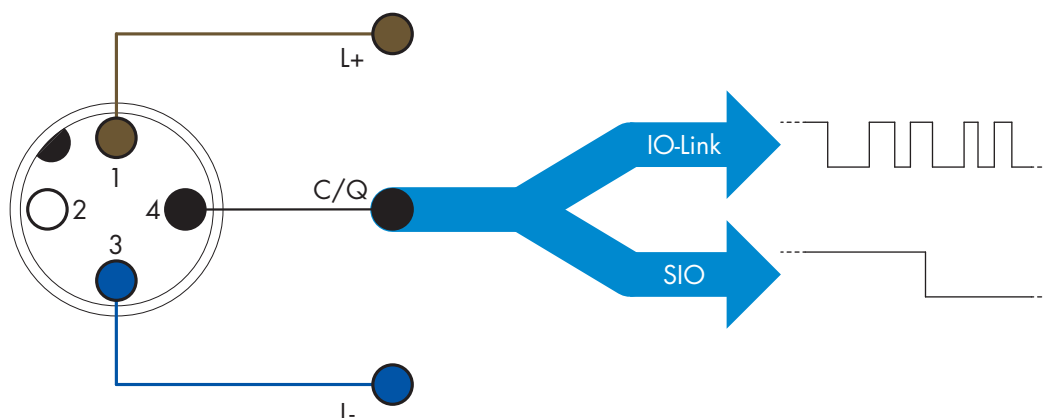
2.3.2. Mode IO-Link

IO-Link est une technologie IO standardisée qui est reconnue dans le monde entier en tant que norme internationale (IEC 61131-9).

Il est aujourd'hui considéré comme « l'interface USB » pour les capteurs et les actionneurs dans l'automatisation industrielle.

Lorsque le capteur est connecté à un port IO-Link, la borne maître IO-Link envoie une demande de réveil (impulsion de réveil) au capteur, qui passe automatiquement en mode IO-Link : la communication bidirectionnelle point à point démarre automatiquement entre la borne maître et le capteur.

La communication IO-Link ne nécessite qu'un câble standard à 3 fils non blindé d'une longueur maximale de 20 mètres.



La communication IO-Link s'effectue par modulation d'impulsions 24 V, protocole UART standard via le câble de commutation et de communication (état de commutation et canal de données C/Q) PIN 4 ou fil noir.

Par exemple, un connecteur M12 mâle à 4 broches possède :

- Alimentation positive : broche 1, marron
- Alimentation négative : broche 3, bleu
- Sortie numérique 1 : broche 4, noir
- Sortie numérique 2 : broche 2, blanc

La vitesse de transmission des capteurs CA18FA...IO ou CA30FA...IO, est de 38,4 kBaud (COM2). Une fois connectée au port IO-Link, la borne maître a accès à distance à tous les paramètres du capteur et aux fonctionnalités avancées, ce qui permet de modifier les réglages et la configuration en cours de fonctionnement et d'activer les fonctions de diagnostic, telles que les avertissements de température, les alarmes de température et les données de processus.

Grâce à IO-Link, il est possible de voir les informations du fabricant et le numéro de pièce (données de service) de l'appareil connecté, à partir de V1.1. Grâce à la fonction de stockage des données, il est possible de remplacer l'appareil et de transférer automatiquement toutes les informations stockées dans l'ancien appareil dans l'unité de remplacement.

L'accès aux paramètres internes permet à l'utilisateur de voir les performances du capteur, par exemple en consultant la température interne.

Les données d'évènement permettent à l'utilisateur d'obtenir des informations de diagnostic telles qu'une erreur, une alarme, un avertissement ou un problème de communication.

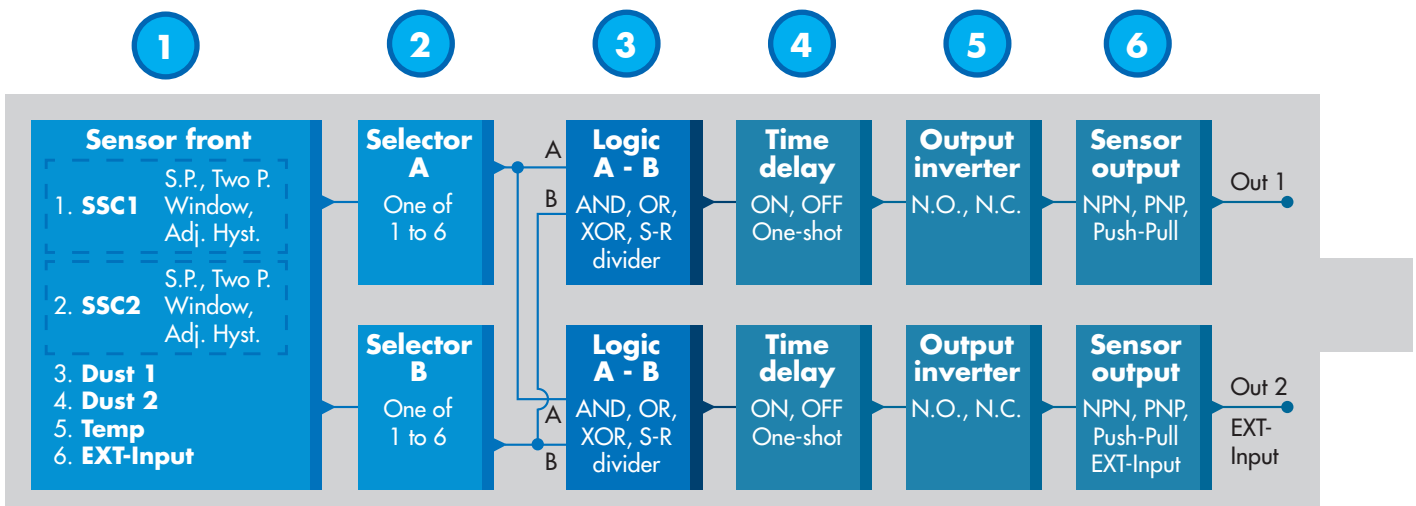
Il existe deux types de communication différents entre le capteur et la borne maître et ils sont indépendants l'un de l'autre :

- Cyclique pour les données de processus et le statut des valeurs - ces données sont échangées cycliquement.
- Acyclique pour la configuration des paramètres, les données d'identification, les informations de diagnostic et les événements (par ex. messages d'erreur ou avertissements) - ces données peuvent être échangées sur demande.

2.4. Paramètres de sortie

Le capteur mesure cinq valeurs physiques différentes. Ces valeurs peuvent être ajustées indépendamment et utilisées comme source pour la sortie de commutation 1 ou 2, en plus de ces valeurs, une entrée externe peut être sélectionnée pour le SO₂. Après avoir sélectionné l'une de ces sources, il est possible de configurer la sortie du capteur avec une borne maître IO-Link, en suivant les six étapes indiquées dans la configuration des sorties de commutation ci-dessous.

Une fois le capteur déconnecté de la borne maître, il passe en mode SIO et conserve le dernier réglage de configuration.



1

2.4.1. Face avant du capteur

Lorsqu'un objet, solide ou liquide, s'approche de la face du capteur, la capacitance du circuit de détection est influencée et la sortie du capteur change d'état.

2.4.1.1. SSC Switching Signal Channel (Canal du signal de commutation)

Pour la détection de présence (ou d'absence de présence) d'un objet devant la face avant du capteur, les réglages suivants sont disponibles : SSC1 ou SSC2.

Les points de consigne peuvent être réglés de 0 à 10 000 unités qui représentent la variation de capacitance du circuit de détection. Plus la valeur est élevée, plus la cible apparaît près de la surface de détection du capteur, et plus la valeur diélectrique de la cible est élevée, plus la valeur augmente. Par exemple, une cible métallique a une valeur diélectrique plus élevée qu'une cible en plastique.

2.4.1.2. Mode point de commutation :

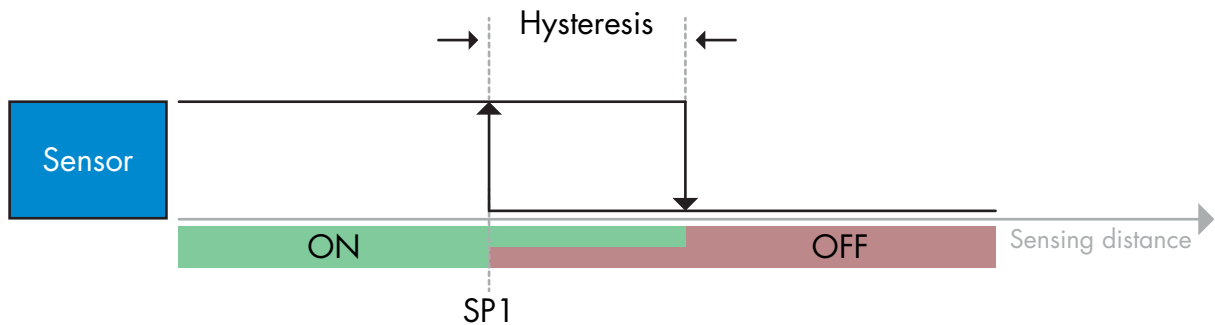
Le réglage du mode point de commutation peut être utilisé pour créer un comportement de sortie plus avancé. Les modes de commutation suivants peuvent être sélectionnés pour le comportement de commutation de SSC1 et SSC2

Désactivé

SSC1 ou SSC2 peuvent être désactivés individuellement, mais ceci désactivera également la sortie si elle est sélectionnée dans le sélecteur d'entrée (la valeur logique sera toujours « 0 »).

Mode Point unique

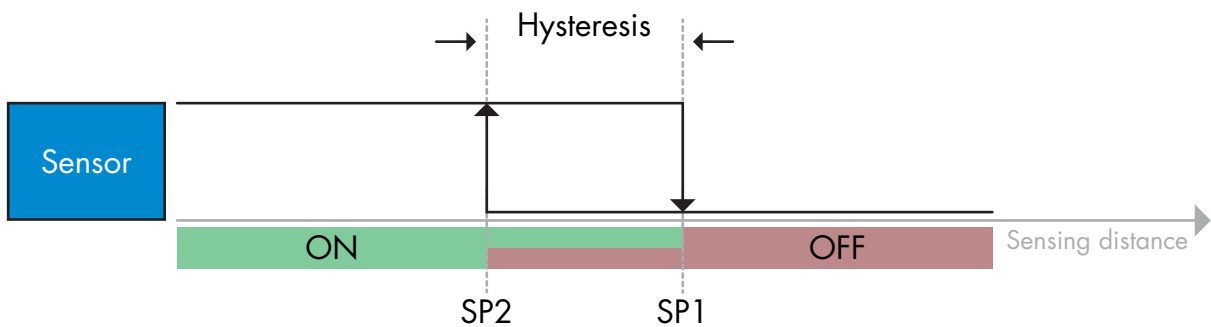
L'information de commutation change, lorsque la valeur mesurée dépasse le seuil défini dans le point de consigne SP1 vers le haut ou vers le bas, en tenant compte de l'hystérésis.



Exemple de détection de présence - avec logique non inversée

Mode Deux points

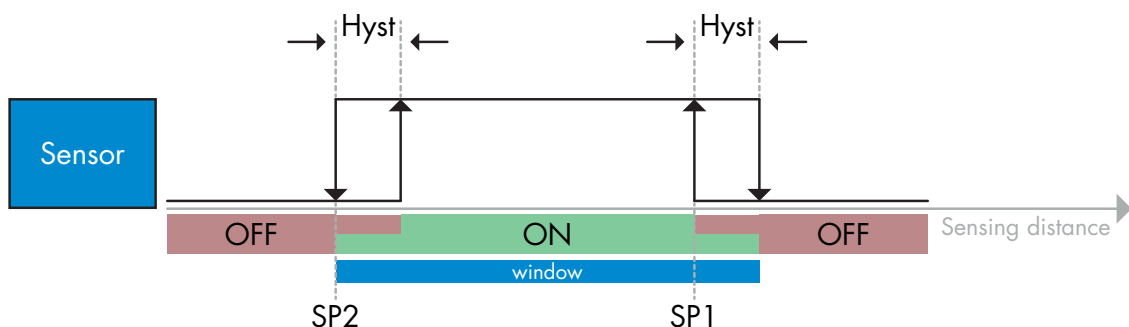
Les informations de commutation changent lorsque la valeur mesurée dépasse le seuil défini dans le point de consigne SP1. Ce changement ne se produit qu'en cas d'augmentation des valeurs de mesure. Les informations de commutation changent également lorsque la valeur mesurée dépasse le seuil défini dans le point de consigne SP2. Ce changement ne se produit qu'en cas de chute des valeurs de mesure. L'hystérésis n'est pas prise en compte dans ce cas.



Exemple de détection de présence - avec logique non inversée

Mode fenêtre

L'information de commutation change, lorsque la valeur mesurée dépasse les seuils définis dans les points de consigne SP1 et SP2 vers le haut ou vers le bas, en tenant compte de l'hystérésis.



Exemple de détection de présence - avec logique non inversée

2.4.1.3. Réglages de l'hystérésis

En mode Point unique et en mode Fenêtres SSC1 et SSC2, l'hystérésis peut être réglée entre 1 et 100 % de la valeur de commutation réelle. Les réglages standard dépendent du type de détection :

CA18FAF...	4 %
CA18FAN...	15 %
CA30FAF...	5 %
CA30FAN...	10 %

(SP2 + Hystérésis < SP1) et (SP1 + hystérésis < Limite supérieure de la plage de détection).

Information

Une hystérésis étendue est généralement utilisée pour résoudre les problèmes de vibration ou d'EMC.

2.4.1.4. Alarme de poussière 1 et Alarme de poussière 2

La limite de sécurité entre la commutation de la sortie de détection et la valeur à laquelle le capteur peut détecter une légère accumulation de poussière en toute sécurité peut être réglée.

Voir 2.6.5 Limites de sécurité.

2.4.1.5. Alarme de température (TA)

Le capteur surveille en permanence la température interne dans la partie avant du capteur. En utilisant le réglage de l'alarme de température, une alarme se déclenche si les seuils de température sont dépassés. Voir §2.6.4

L'alarme de température a deux valeurs séparées, l'une pour le réglage de la température maximale et l'autre pour le réglage de la température minimale.

Il est possible de consulter la température du capteur via les données de paramètres IO-Link acycliques.

REMARQUE !

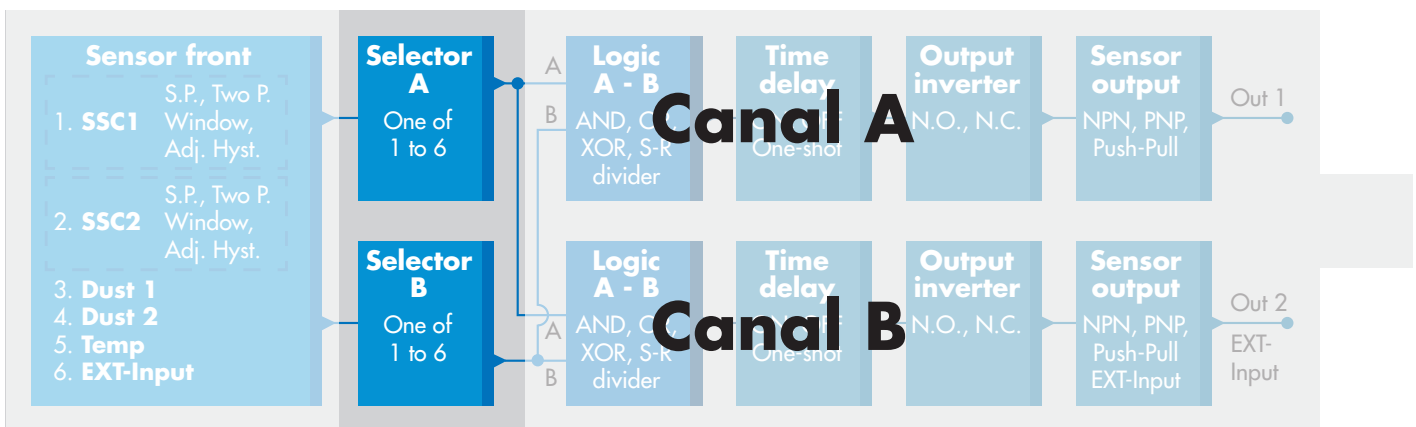
La température mesurée par le capteur sera toujours supérieure à la température ambiante, en raison de l'élévation de température interne.

La différence entre la température ambiante et la température interne est influencée par la façon dont le capteur est installé dans l'application. Si le capteur est installé dans un support métallique, la différence sera plus faible que si le capteur est monté dans un support plastique.

2.4.1.6. Entrée externe

La sortie 2 (SO2) peut être configurée comme une entrée externe permettant d'envoyer des signaux externes vers le capteur, cela peut provenir d'un deuxième capteur ou d'un PLC ou directement de la sortie machine.

2

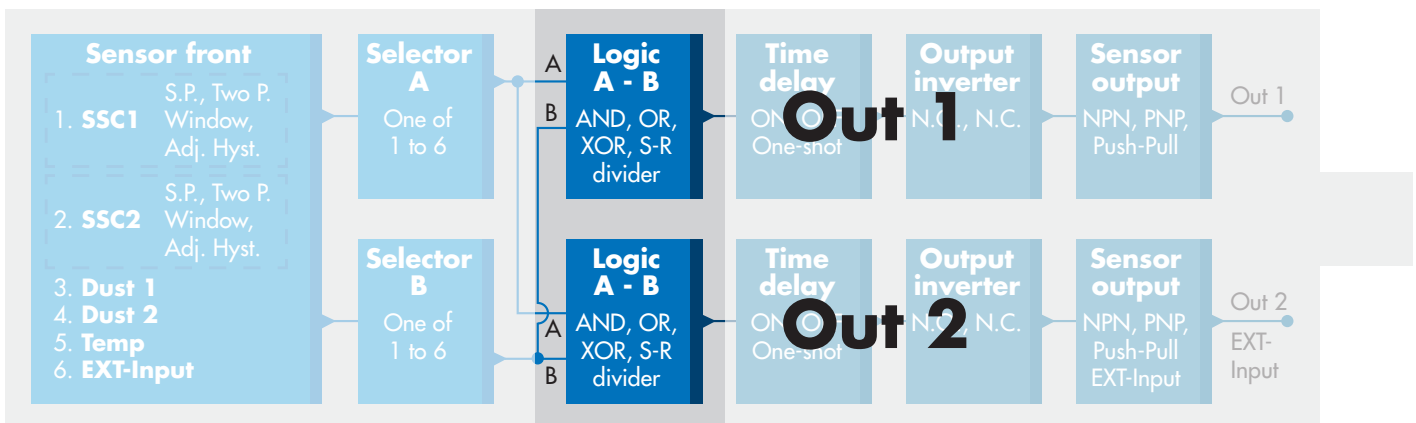


2.4.2. Sélecteur d'entrée

Ce bloc fonction permet à l'utilisateur de sélectionner n'importe quel signal de la « face avant du capteur » vers le canal A ou B.

Canaux A et B : possibilité de choisir entre SSC1, SSC2, Poussière1, Poussière2, l'alarme de température et entrée externe.

3

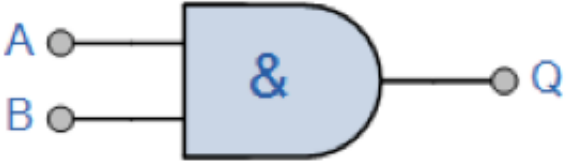


2.4.3. Bloc fonction logique

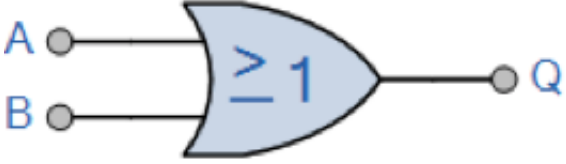
Dans le bloc fonction logique, les signaux sélectionnés dans le sélecteur d'entrée peuvent être ajoutés directement à une fonction logique sans utiliser de PLC, ce qui permet de prendre des décisions décentralisées.

Les fonctions logiques disponibles sont : AND, OR, XOR, SR-FF.

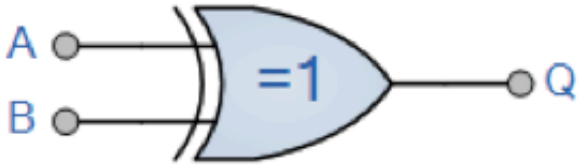
Fonction AND

Symbole	Table de vérité		
 <p>Porte AND 2 entrées</p>	A	B	Q
	0	0	0
	0	1	0
	1	0	0
	1	1	1
Expression booléenne Q = A.B	Lue comme A ET B donne Q		

fonction OR

Symbole	Table de vérité		
 <p>Porte OR 2 entrées</p>	A	B	Q
	0	0	0
	0	1	1
	1	0	1
	1	1	1
Expression booléenne Q = A + B	Lu comme A OU B donne Q		

Fonction XOR

Symbole	Table de vérité		
 <p>Porte XOR 2 entrées</p>	A	B	Q
	0	0	0
	0	1	1
	Porte OR 2 entrées		1
	1	1	0
Expression booléenne Q = A ⊕ B	A OU B mais PAS LES DEUX donne Q		

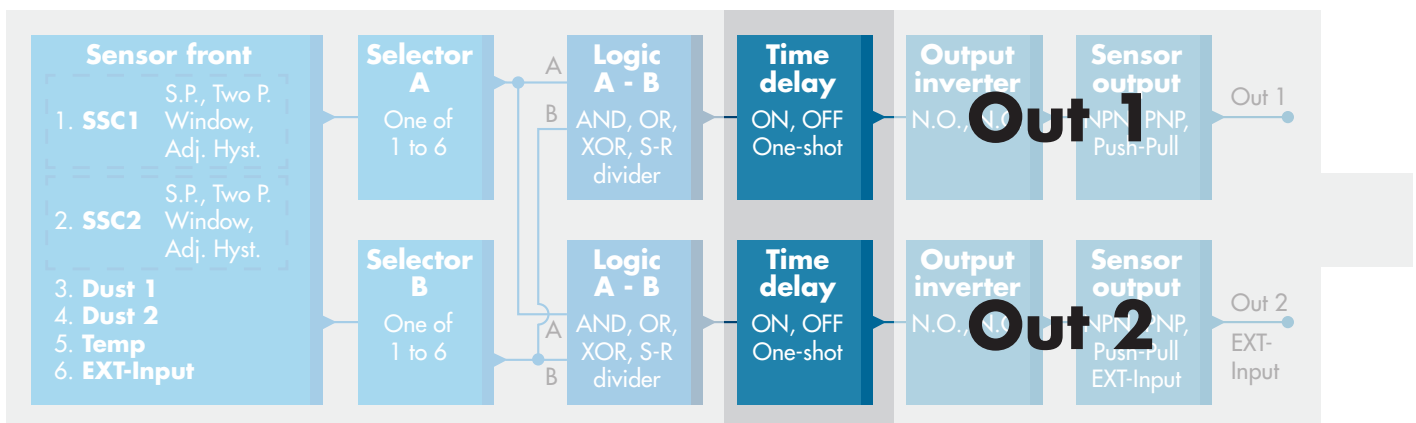
Fonction « Porte SR-FF »

La fonction est conçue p. ex. pour les fonctions de remplissage ou de vidange en utilisant seulement deux capteurs interconnectés

Symbole	Table de vérité		
	A	B	Q
	0	0	0
	0	1	X
	1	0	X
	1	1	1

X - aucune modification de la sortie.

4



2.4.4. Minuterie (peut être réglée individuellement pour Out1 et Out2)

La minuterie permet à l'utilisateur d'introduire différentes fonctions de minuterie en modifiant ses 3 paramètres :

- Mode minuterie
- Échelle de temps
- Valeur de la minuterie

2.4.4.1. Mode minuterie

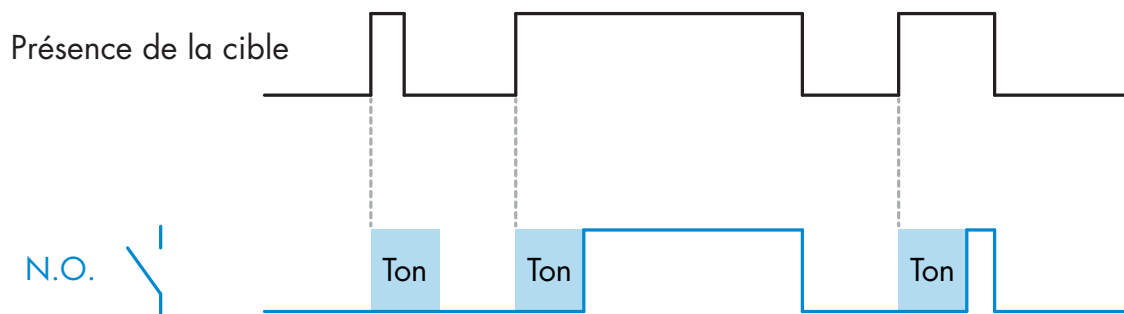
Sélectionne le type de fonction de minuterie introduit sur la sortie de commutation. L'une des options suivantes est possible :

2.4.4.1.1. Désactivé

Cette option désactive la fonction de minuterie, quel que soit le réglage de l'échelle de temps et du délai de la minuterie.

2.4.4.1.2. Retard à la mise sous tension (T-on)

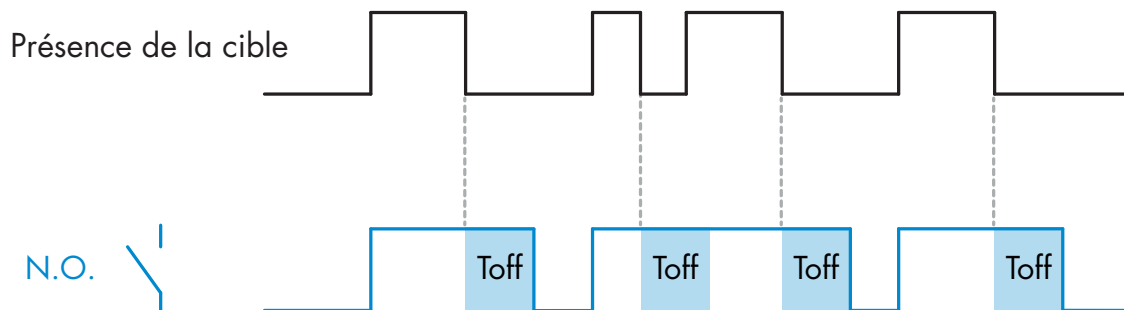
L'activation de la sortie de commutation est générée après l'actionnement effectif du capteur, comme indiqué sur la figure ci-dessous.



Exemple avec la sortie normalement ouvert

2.4.4.1.3. Retard à l'arrêt (T-off)

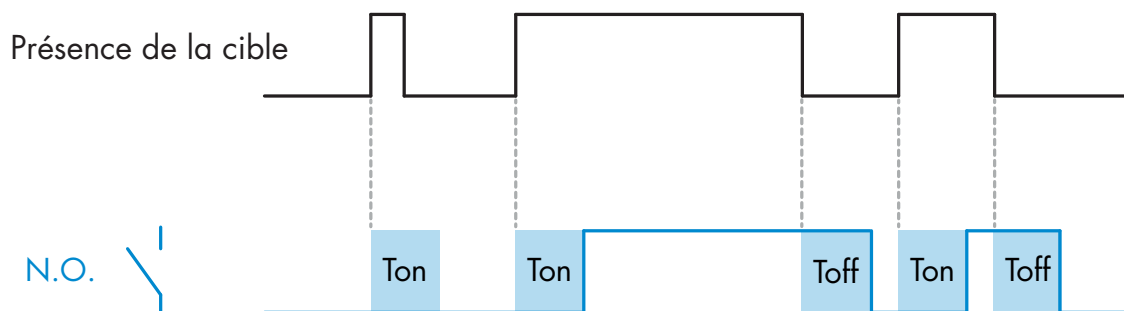
La désactivation de la sortie de commutation est retardée par rapport au moment de retrait de la cible à l'avant du capteur comme indiqué sur la figure ci-dessous.



Exemple avec la sortie normalement ouvert

2.4.4.1.4. Retard à la mise sous tension et à l'arrêt (T-on et T-off)

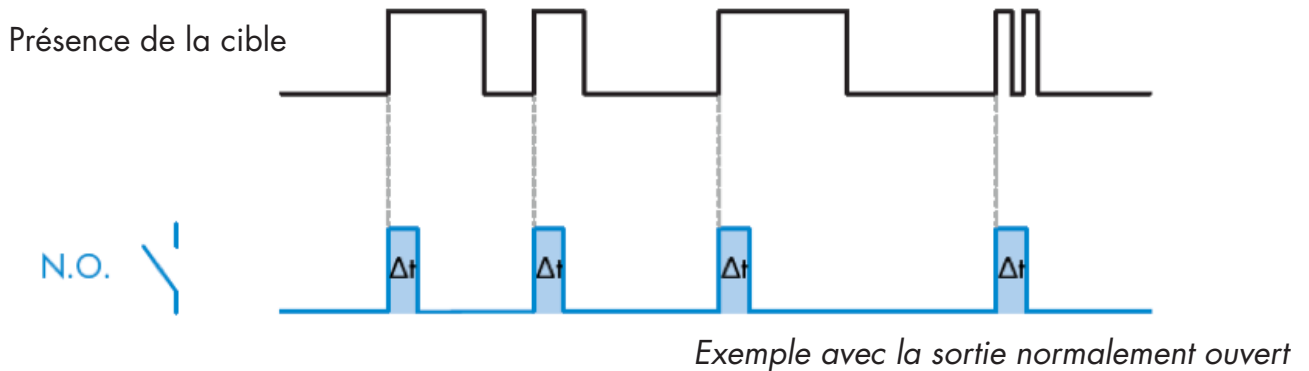
Lorsque cette option est sélectionnée, les délais T-on et T-off sont appliqués à la génération de la sortie de commutation.



Exemple avec la sortie normalement ouvert

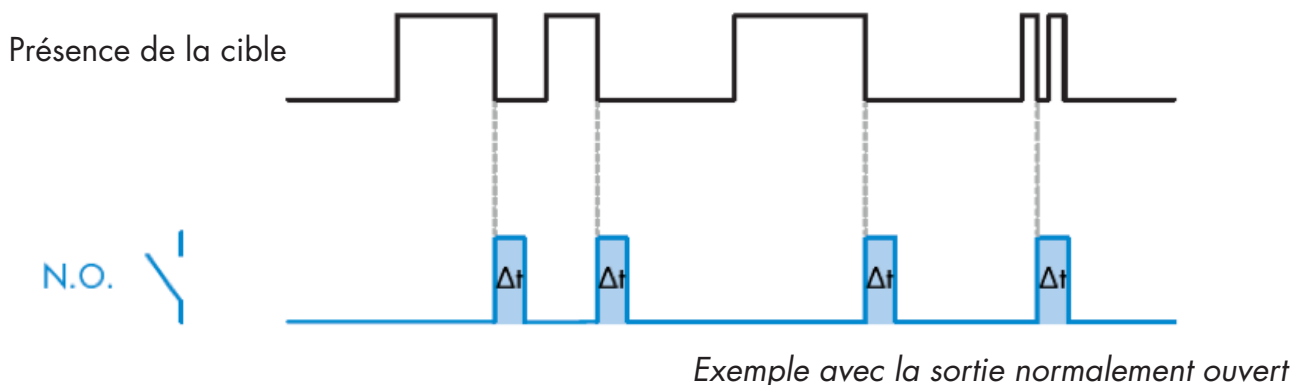
2.4.4.1.5. Balayage à l'attraction

Chaque fois qu'une cible est détectée devant le capteur, la sortie de commutation génère une impulsion de longueur constante sur le bord avant de la détection. Voir la figure ci-dessous.



2.4.4.1.6. Bord de fuite

Fonction similaire à celle du mode Balayage à l'attraction, mais dans ce mode, la sortie de commutation génère l'impulsion sur le bord de fuite comme le montre la figure ci-dessous.



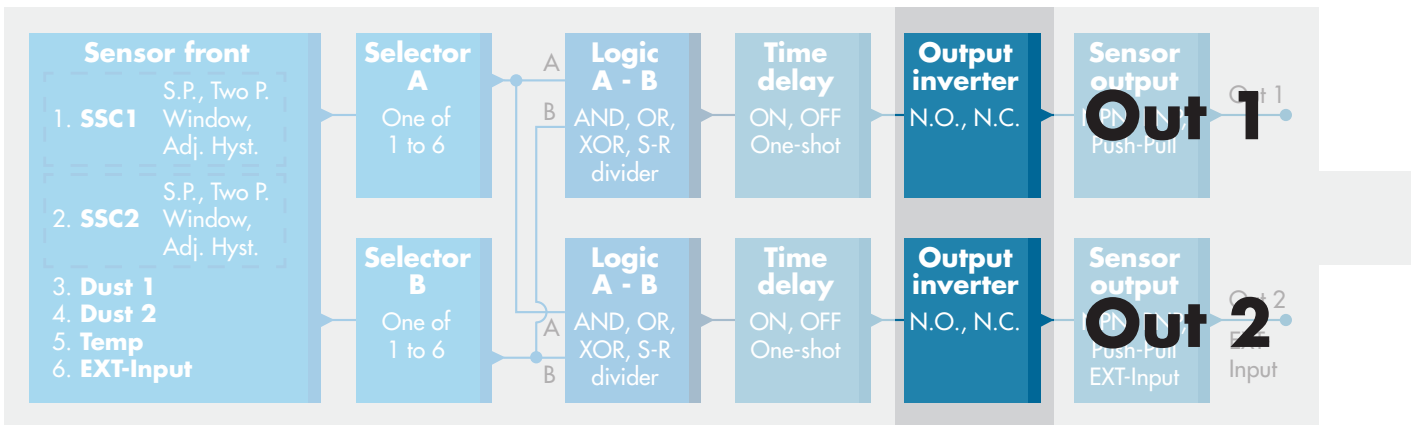
2.4.4.1.7. Échelle de temps

Le paramètre définit si le délai spécifié dans la minuterie doit être en millisecondes, secondes ou minutes

2.4.4.1.8. Valeur de la minuterie

Le paramètre définit la durée réelle du retard. Le retard peut être réglé sur n'importe quelle valeur entière comprise entre 1 et 32 767

5



2.4.5. Onduleur de sortie

Cette fonction permet à l'utilisateur d'inverser le fonctionnement de la sortie de commutation entre Normalement Ouvert et Normalement Fermé.

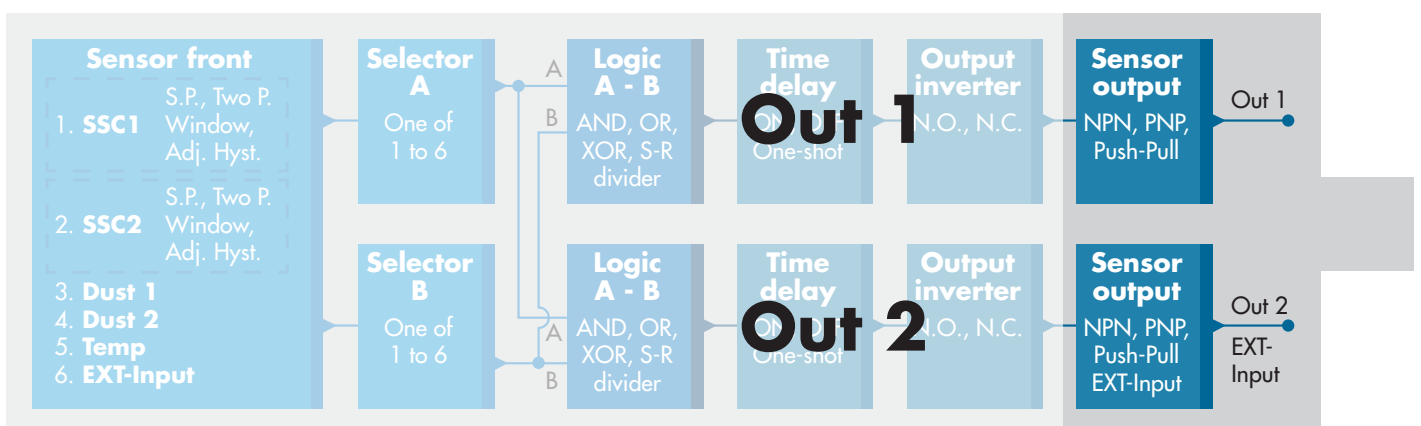
FONCTION RECOMMANDÉE !

La fonction recommandée se trouve dans les paramètres sous 64 (0x40) sous index 8 (0x08) pour SO1 et 65 (0x41) sous index 8 (0x08) pour SO2 et n'a pas d'influence négative sur les fonctions logiques ou les fonctions de minuterie du capteur puisqu'il est ajouté après ces fonctions.

ATTENTION !

La fonction logique de commutation sous 61 (0x3D) sous-index 1 (0x01) pour SSC1 et 63 (0x3F) sous-index 1 (0x01) pour SSC2 n'est pas recommandée car elle aura une influence négative sur les fonctions logique ou de minuterie. Par exemple, l'utilisation de cette fonction transformera un retard à la mise sous tension en un retard à l'arrêt, car elle est ajoutée pour les SSC1 et SSC2 et pas uniquement pour les SO1 et SO2.

6



2.4.6. Mode Niveau de sortie

Dans ce bloc fonction, l'utilisateur peut choisir si les sorties de commutation doivent fonctionner comme :

SO1 : Configuration Désactivé, NPN, PNP ou Push-Pull.

SO2 : Désactivé, NPN, PNP, Push-Pull, Entrée externe (actif haut/Pull-down), Entrée externe (actif bas/Pull-up) ou Entrée d'apprentissage externe.

2.5. Procédure d'apprentissage

2.5.1. Apprentissage externe (apprentissage par fil)

NB ! Cette fonction fonctionne en mode Point unique et uniquement pour SP1 dans SSC1.

L'apprentissage par fil doit d'abord être configuré à l'aide d'une borne maître IO-link :

- Sélectionnez : « 2=apprentissage par fil » dans la sélection des paramètres de réglage local/à distance 68 (0x44).
- Sélectionnez : « 1=Mode Point unique » est déjà sélectionné dans « Configuration SSC1 » 61(0x3D), « Mode 1 » 2(0x02), (cette valeur doit déjà être définie par défaut).
- Sélectionnez : 6=apprentissage (Actif haut) dans Canal 2 (SO2) 65 (0x41) sous index 1 (0x01).

Procédure d'apprentissage par fil.

- Placez la cible devant le capteur et connectez l'entrée d'apprentissage par fil (broche 2 fil blanc) à V+ (broche 1 fil marron). La LED jaune clignote à 1 Hz (ON 100 mS et OFF 900 mS).
- Dans les 3-6 secondes, le fil doit être déconnecté, et la LED jaune clignote à 1 Hz (ON 900 mS et OFF 100 mS).
- Après un apprentissage réussi, la LED jaune clignote à 2 Hz (ON 250 mS et OFF 250 mS).

NB ! Si la procédure d'apprentissage doit être annulée, ne retirez pas le fil après 3 à 6 secondes mais laissez la connexion pendant 12 secondes jusqu'à ce que la LED jaune clignote à 10 Hz (ON 50 mS et OFF 50 mS).

2.5.2. Apprentissage à partir d'une borne maître IO-Link

- Pour activer l'apprentissage à partir d'une borne maître IO-Link, il faut d'abord désactiver l'entrée du trimmer :

Sélectionnez : « 0=Désactivé » dans la sélection des paramètres de réglage local/à distance 68 (0x44).

- Les commandes individuelles d'équipe peuvent être écrites dans l'index 2.

2.5.2.1. Procédure en mode point unique

Sélectionner le canal de commutation pour l'apprentissage

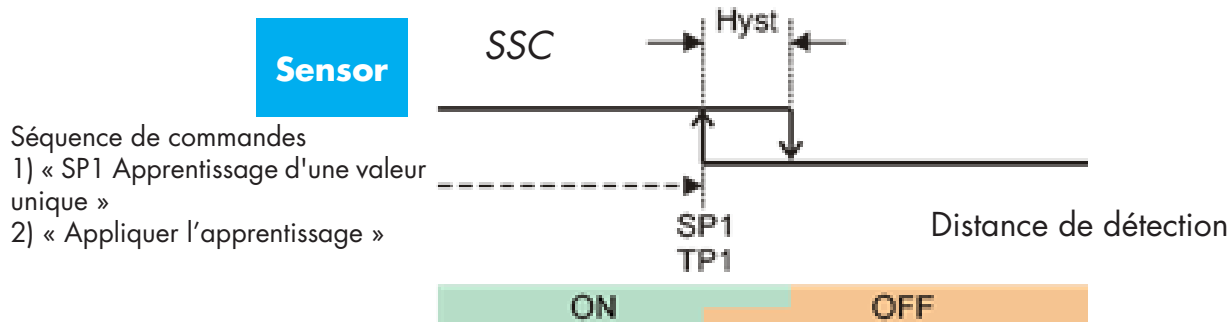
- Sélectionnez : 1=SSC1 ou 2=SSC2 dans la « Sélection pour l'apprentissage » 58(0x3A) ou 255 = tout le SSC.
- Modifiez l'hystérésis si nécessaire pour SSC1 ou SSC2.
 - « Configuration SSC1 » 61(0x3D) « Hystérésis » 3(0x03).
 - « Configuration SSC2 » 62(0x3E) « Hystérésis » 3(0x03).

NB ! Il n'est pas recommandé de modifier l'hystérésis en dessous des valeurs indiquées dans la liste des paramètres SSC.

1) Séquence de commandes d'apprentissage d'une valeur unique :

#65 « SP1 Apprentissage d'une valeur unique »

#64 « Appliquer l'apprentissage » (commande optionnelle)



2) Séquence de commandes d'apprentissage dynamique

#71 « début de l'apprentissage dynamique SP1 »

#72 « arrêt de l'apprentissage dynamique SP1 »

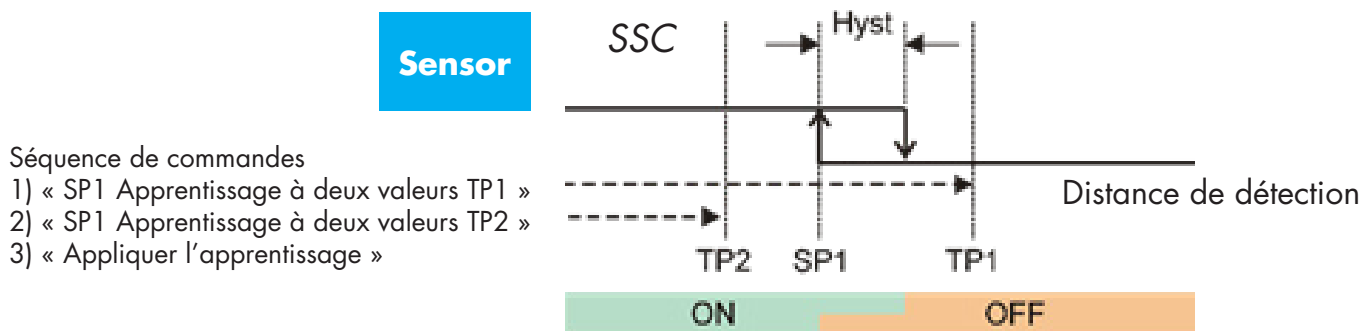
#64 « Appliquer l'apprentissage » (commande optionnelle)

3) Séquence de commandes d'apprentissage à deux valeurs

#67 « SP1 Apprentissage à deux valeurs TP1 »

#68 « SP1 Apprentissage à deux valeurs TP2 »

#64 « Appliquer l'apprentissage » (commande optionnelle)



2.5.2.2. Procédure en mode deux points

1) Séquence de commandes d'apprentissage à deux valeurs :

#67 « SP1 Apprentissage à deux valeurs TP1 »

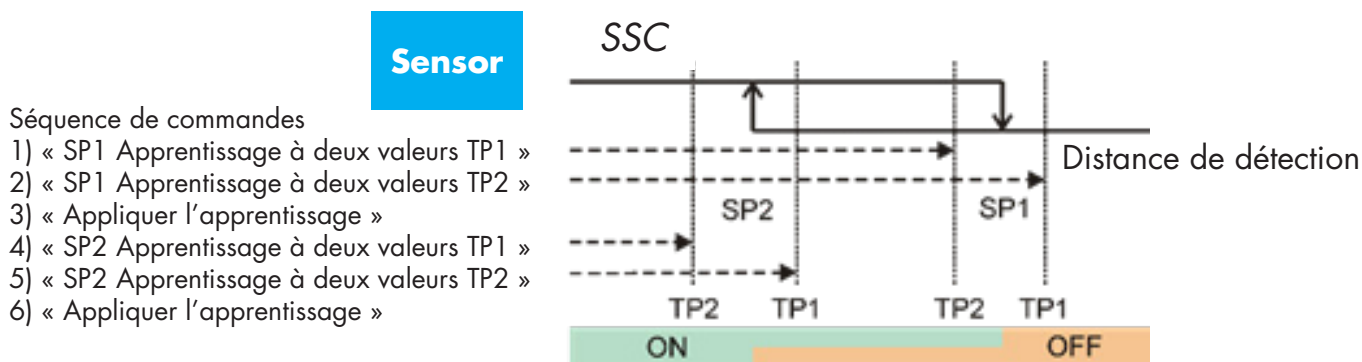
#68 « SP1 Apprentissage à deux valeurs TP2 »

#64 « Appliquer l'apprentissage » (commande optionnelle)

#69 « SP2 Apprentissage à deux valeurs TP1 »

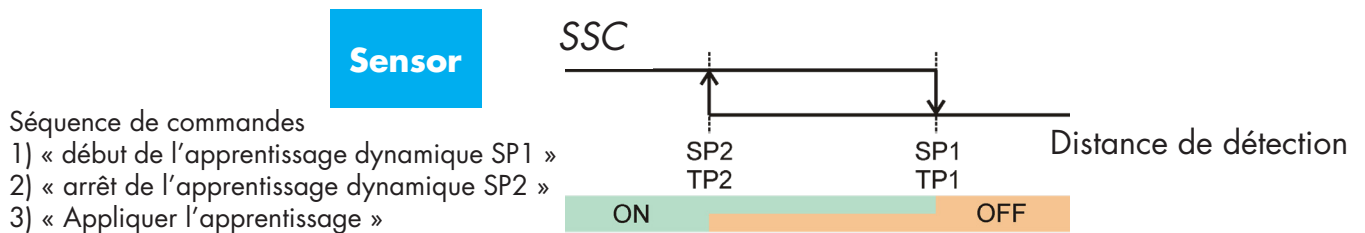
#70 « SP2 Apprentissage à deux valeurs TP2 »

#64 « Appliquer l'apprentissage » (commande optionnelle)



2) Séquence de commandes d'apprentissage dynamique :

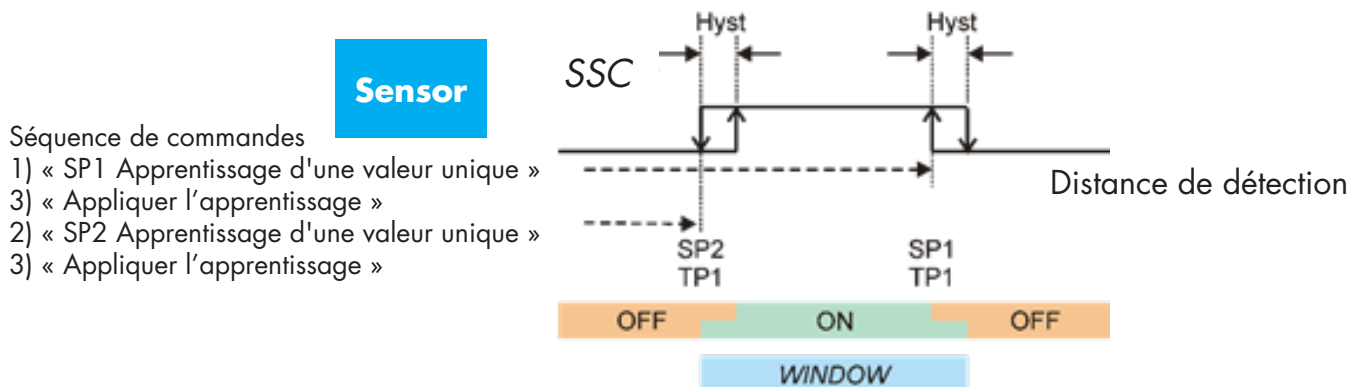
- #71 « début de l'apprentissage dynamique SP1 »
- #72 « arrêt de l'apprentissage dynamique SP1 »
- #73 « début de l'apprentissage dynamique SP2 »
- #74 « arrêt de l'apprentissage dynamique SP2 »
- #64 « Appliquer l'apprentissage » (commande optionnelle)



2.5.2.3. Procédure en mode Fenêtres

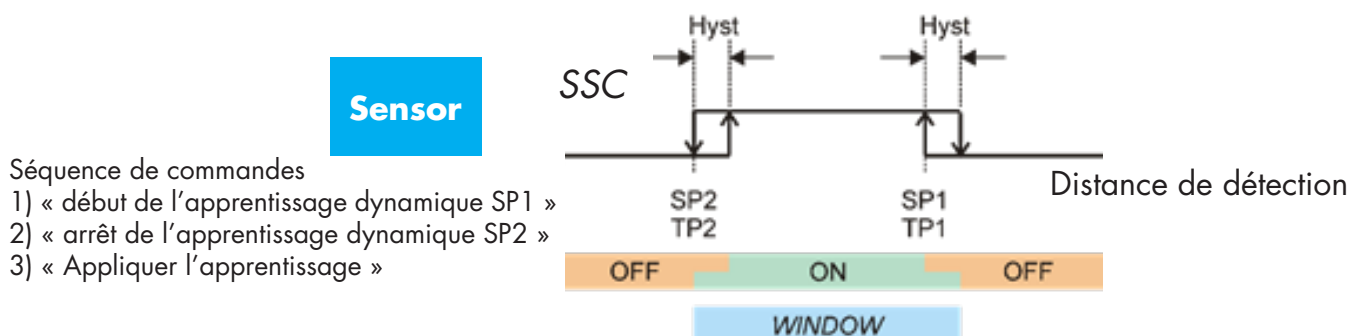
1) Séquence de commandes d'apprentissage d'une valeur unique :

- #65 « SP1 Apprentissage d'une valeur unique »
- #66 « SP2 Apprentissage d'une valeur unique »
- #64 « Appliquer l'apprentissage » (commande optionnelle)



2) Séquence de commandes d'apprentissage dynamique :

- #71 « début de l'apprentissage dynamique SP1 »
- #72 « arrêt de l'apprentissage dynamique SP1 »
- #73 « début de l'apprentissage dynamique SP2 »
- #74 « arrêt de l'apprentissage dynamique SP2 »
- #64 « Appliquer l'apprentissage » (commande optionnelle)



2.6. Paramètres réglables spécifiques au capteur

Outre les paramètres directement liés à la configuration des sorties, le capteur dispose également de divers paramètres internes utiles pour la configuration et le diagnostic.

2.6.1. Sélection du réglage local ou à distance

Il est possible de sélectionner le réglage de la distance de détection soit en sélectionnant le trimmer, l'apprentissage par fil en utilisant l'entrée externe du capteur, soit en désactivant le potentiomètre pour rendre le capteur inviolable.

2.6.2. Données et variables de processus

Lorsque le capteur est utilisé en mode IO-Link, l'utilisateur a accès à la variable cyclique Données de processus.

Par défaut, les données de processus montrent les paramètres suivants comme étant actifs : Valeur analogique 16 bits, sortie de commutation 1 (SO1) et sortie de commutation 2 (SO2).

Les paramètres suivants sont définis comme inactifs : SSC1, SSC2, DA1, DA2, TA, SC.

Cependant, en modifiant le paramètre Configuration des données de processus, l'utilisateur peut décider d'activer le statut des paramètres inactifs. De cette façon, plusieurs statuts peuvent être observés dans le capteur en même temps.

Octet 0	31	30	29	28	27	26	25	24
	MSB							
Octet 1	23	22	21	20	19	18	17	16
								LSB
Octet 2	15	14	13	12	11	10	9	8
			SC	TA	DA2	DA1	SSC2	SSC1
Octet 3	7	6	5	4	3	2	1	0
							SO2	SO1

4 octets

Valeur analogique 16 ... 31 (16 BIT)

2.6.3. Réglage de l'application du capteur

Le capteur a 3 pré-réglages en fonction de l'application :

- Plage complète, les points de consigne du capteur peuvent être réglés à pleine échelle et la vitesse de détection est réglée au maximum
- Niveau liquide, doit être utilisé pour les objets lents avec une valeur diélectrique élevée comme pour la détection de liquides à base aqueuse. Lorsque cette fonction est sélectionnée, les réglages de l'apprentissage et du potentiomètre sont optimisés pour une échelle haute. Dans ce mode, le variateur de filtre est réglé sur 100.
- Granules en plastique, doit être utilisé pour les objets lents et à faible constante diélectrique, comme pour la détection de granules en plastique. Lorsque cette fonction est sélectionnée, les réglages de l'apprentissage et du potentiomètre sont optimisés pour une échelle basse. Dans ce mode, le variateur de filtre est réglé sur 100.

2.6.4. Seuil d'alarme de température

La température à laquelle l'alarme de température sera activée peut être modifiée pour la température maximale et minimale. Cela signifie que le capteur déclenchera une alarme lorsque la température maximale ou minimale est atteinte. Les températures peuvent être réglées entre -50 °C et +150 °C. Les réglages d'usine par défaut sont : seuil bas -30 °C et seuil haut +120 °C.

2.6.5. Limites de sécurité

Le capteur a une marge de sécurité intégrée qui aide à ajuster la détection des points de consigne avec une marge de sécurité supplémentaire. Le réglage d'usine est réglé sur deux fois l'hystérésis standard du capteur, par exemple pour un capteur CA18FAN... avec une hystérésis de 15 %, la marge de sécurité est réglée sur 30 %.

Cette valeur peut être réglée individuellement de 0 % à 100 % pour SSC1 ou SSC2.

2.6.6. Configuration des événements

Les événements de température transmis par l'interface IO-Link sont désactivés par défaut dans le capteur. Si l'utilisateur souhaite obtenir des informations sur les températures critiques détectées dans l'application du capteur, ce paramètre permet d'activer ou de désactiver les 5 événements suivants :

- Défaut de température : le capteur détecte la température en dehors de la plage de fonctionnement spécifiée.
- Dépassement de température : le capteur détecte des températures supérieures à celles réglées dans le seuil d'alarme de température.
- Température en dessous du seuil : le capteur détecte des températures inférieures au seuil d'alarme de température.
- Court-circuit : Le capteur détecte si la sortie du capteur est en court-circuit.
- Maintenance : Le capteur détecte si une maintenance est nécessaire, comme par exemple un nettoyage.

2.6.7. Qualité du fonctionnement QoR

La valeur de la qualité de fonctionnement indique la performance de détection réelle par rapport aux points de consigne du capteur, plus la valeur est élevée, meilleure est la qualité de détection.

La valeur de QoR peut varier entre 0 à 255 %.

La valeur de QoR est mise à jour pour chaque cycle de détection.

Le tableau ci-dessous donne des exemples de QoR.

Valeurs de qualité de fonctionnement	Définitions
> 150 %	Excellentes conditions de détection, pas d'entretien prévu
100 %	Bonnes conditions de détection, le capteur fonctionne aussi bien que lors de l'apprentissage ou du réglage manuel des points de consigne avec une marge de sécurité de deux fois l'hystérésis standard. <ul style="list-style-type: none"> • Bonne fiabilité à long terme pour toutes les conditions environnementales. • Pas d'entretien prévu.
50 %	Conditions de détection moyennes <ul style="list-style-type: none"> • Bonne fiabilité à court terme, entretien prévu en raison des conditions environnementales. • Détection fiable avec une influence limitée de l'environnement.
0 %	Les conditions de détection sont mauvaises ou peu fiables.

2.6.8. Qualité de l'apprentissage QoT

La valeur de la qualité de l'apprentissage indique la qualité de la procédure d'apprentissage, c'est-à-dire la marge entre les points de consigne réels et l'influence de l'environnement du capteur.

La valeur de QoT peut varier entre 0 à 255 %.

La valeur QoT est mise à jour après chaque processus d'apprentissage.

Le tableau ci-dessous donne des exemples de QoT.

Valeur de la qualité de l'apprentissage	Définitions
> 150 %	Excellentes conditions d'apprentissage, pas d'entretien prévu
100 %	Bonnes conditions d'apprentissage, la marge de sécurité de l'apprentissage est de deux fois l'hystérésis standard. <ul style="list-style-type: none"> • Bonne fiabilité à long terme pour toutes les conditions environnementales. • Pas d'entretien prévu.
50 %	Conditions d'apprentissage moyennes. <ul style="list-style-type: none"> • Bonne fiabilité à court terme, entretien prévu en raison des conditions environnementales. • Détection fiable avec une influence limitée de l'environnement.
0 %	Mauvais résultat d'apprentissage. <ul style="list-style-type: none"> • Les conditions d'apprentissage sont peu fiables. (p. ex. marge de mesure entre la cible et l'environnement trop faible).

2.6.9. Variateur de filtre

Cette fonction peut augmenter la résistance contre les cibles instables et les perturbations électromagnétiques : La valeur peut être réglée entre 1 et 255, la valeur par défaut est 1.

Un réglage de filtre de 1 donne la fréquence de détection maximale et un réglage de 255 donne la fréquence minimale.

2.6.10. Indication par LED

L'indication par LED peut être configurée en 3 modes différents : Inactive, Active ou Trouver mon capteur.

Inactive : les LED sont toujours éteintes

Active : les LED suivent le schéma d'indication donné à la section 5.1.

Trouver mon capteur : les LEDs clignotent en alternance à 2 Hz avec un cycle de service de 50%, ce qui permet de localiser facilement le capteur.

2.7. Paramètres de diagnostic

2.7.1. Heures de fonctionnement

Le capteur a un compteur intégré qui enregistre chaque heure complète de fonctionnement de celui-ci, le nombre maximum d'heures pouvant être enregistrées est de 2 147 483 647 heures, cette valeur peut être lue depuis une borne maître IO-Link.

2.7.2. Nombre de cycles de puissance [cycles]

Le capteur dispose d'un compteur intégré qui enregistre chaque mise sous tension, la valeur est sauvegardée toutes les heures, le nombre maximum de cycles de puissance pouvant être enregistrés est de 2 147 483 647 cycles, cette valeur peut être lue depuis une borne maître IO-Link.

2.7.3. Température maximale - de tous les temps [°C]

Le capteur est doté d'une fonction intégrée qui enregistre la température la plus élevée à laquelle il a été exposé pendant toute sa durée de vie opérationnelle. Ce paramètre est mis à jour une fois par heure et peut être lu depuis une borne maître IO-Link.

2.7.4. Température minimale - de tous les temps [°C]

Le capteur est doté d'une fonction intégrée qui enregistre la température la plus basse à laquelle il a été exposé pendant toute sa durée de vie opérationnelle. Ce paramètre est mis à jour une fois par heure et peut être lu depuis une borne maître IO-Link.

2.7.5. Température maximale depuis la dernière mise sous tension [°C]

À partir de ce paramètre, l'utilisateur peut obtenir des informations sur la température maximale enregistrée depuis la mise sous tension. Cette valeur n'est pas enregistrée dans le capteur.

2.7.6. Température minimale depuis la dernière mise sous tension [°C]

À partir de ce paramètre, l'utilisateur peut obtenir des informations sur la température minimale enregistrée depuis la mise sous tension. Cette valeur n'est pas enregistrée dans le capteur.

2.7.7. Température actuelle [°C]

À partir de ce paramètre, l'utilisateur peut obtenir des informations sur la température actuelle du capteur.

2.7.8. Compteur de détection [cycles]

Le capteur enregistre chaque fois que le SSC1 change d'état. Ce paramètre est mis à jour une fois par heure et peut être lu depuis une borne maître IO-Link.

2.7.9. Minutes au-dessus de la température maximale [min]

Le capteur enregistre combien de minutes il a été opérationnel au-dessus de la température maximale, le nombre maximum de minutes pouvant être enregistrées est de 2 147 483 647. Ce paramètre est mis à jour une fois par heure et peut être lu depuis une borne maître IO-Link.

2.7.10. Minutes en dessous de la température minimale [min]

Le capteur enregistre combien de minutes il a été opérationnel en dessous de la température minimale, le nombre maximum de minutes pouvant être enregistrées est de 2 147 483 647. Ce paramètre est mis à jour une fois par heure et peut être lu depuis une borne maître IO-Link.

2.7.11. Compteur d'événements de maintenance

Le capteur enregistre combien de fois le compteur d'événements a demandé une maintenance, le nombre maximum d'événements pouvant être enregistrés est de 2 147 483 647 fois. Ce paramètre est mis à jour une fois par heure et peut être lu depuis une borne maître IO-Link.

2.7.12. Compteur de téléchargement

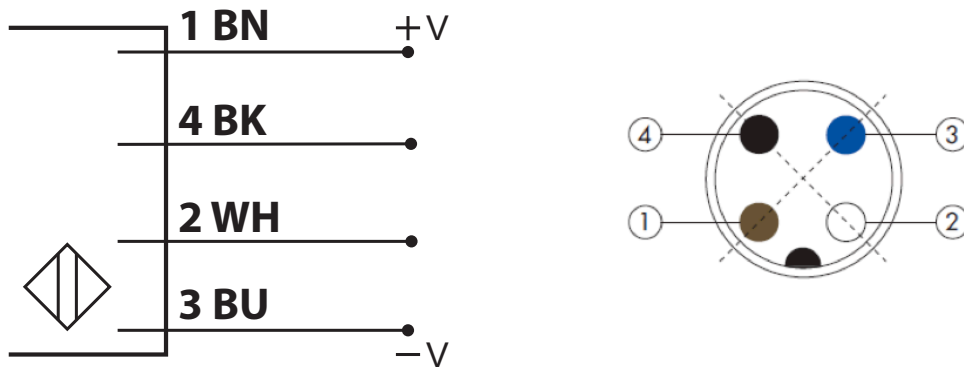
Le capteur enregistre combien de fois les paramètres ont été modifiés, le nombre maximum de changements pouvant être enregistrés est de 65 536 fois. Ce paramètre est mis à jour une fois par heure et peut être lu depuis une borne maître IO-Link.

REMARQUE !

La température mesurée par le capteur sera toujours supérieure à la température ambiante, en raison de l'élévation de température interne.

La différence entre la température ambiante et la température interne est influencée par la façon dont le capteur est installé dans l'application. Si le capteur est installé dans un support métallique, la différence sera plus faible que si le capteur est monté dans un support plastique.

3. Schémas de câblage



Broche	Couleur	Signal	Description
1	Marron	10 à 40 VCC	Alimentation du capteur
2	Bleu	GND	Masse
3	Noir	Charge	IO-Link / Sortie 1 / mode SIO
4	Blanc	Charge	Sortie 2 / Mode SIO / Entrée externe / Apprentissage externe

4. Mise en service

50 ms après la mise sous tension, le capteur est opérationnel.

S'il est connecté à une borne maître IO-Link, aucun réglage supplémentaire n'est nécessaire et la communication IO-Link démarre automatiquement après que la borne maître IO-Link ait envoyé une demande de réveil au capteur.

5. Fonctionnement

5.1. Interface utilisateur de CA18FA...IO et CA30FA... IO

Les capteurs CA18FA...IO et CA30FA...IO sont équipés d'une LED jaune et d'une LED verte.

LED verte	LED jaune	Puissance	Détection
Mode SIO et IO-Link			
ON	ON	ON	ON (Stable)* SSC1
ON	OFF	ON	OFF (Stable)* SSC1
OFF	ON	-	ON (non stable) SSC1
OFF	OFF	-	OFF (non stable) SSC1
-	Clignotant 10 Hz 50% du cycle de service	ON	Court-circuit de sortie
-	Clignotant (0,5 ... 20 Hz)	ON	Indication de la minuterie
Mode SIO uniquement			
-	Clignotant 1 Hz ON - 10% du cycle de service OFF - 90% du cycle de service	ON	Apprentissage externe par fil. Uniquement pour mode Point unique
-	Clignotant 1 Hz ON - 90% du cycle de service OFF - 10% du cycle de service	ON	Fenêtre d'apprentissage (3-6 sec)
-	Clignotant 10 Hz ON - 50% du cycle de service OFF - 50% du cycle de service Clignotant pendant 2 sec	ON	Temps d'apprentissage (12 sec)
-	Clignotant 2 Hz ON - 50% du cycle de service OFF - 50% du cycle de service Clignotant pendant 2 sec	ON	Succès de l'apprentissage
Mode IO-Link uniquement			
Clignotant 1 Hz Stable : ON - 90% du cycle de service OFF - 10% du cycle de service Non stable : ON - 10% du cycle de service OFF - 90% du cycle de service	-	ON	Le capteur est en mode IO-Link
Clignote, 2 Hz 50% du cycle de service		ON	Trouver mon capteur

*Possibilité de désactiver les deux LED

6. Fichier IODD et réglage d'usine

6.1. Fichier IODD d'un appareil IO-Link

L'ensemble des caractéristiques, des paramètres de l'appareil et des valeurs de réglage du capteur sont rassemblés dans un fichier appelé Description de l'appareil d'E/S (fichier IODD). Le fichier IODD est nécessaire pour établir la communication entre la borne maître IO-Link et le capteur. Chaque fournisseur d'un appareil IO-Link doit fournir ce fichier et le rendre disponible pour le téléchargement sur son site web. Le fichier est compressé, il faut donc le décompresser.

Le fichier IODD comprend :

- les données de processus et de diagnostic
- la description des paramètres avec le nom, la plage autorisée, le type de données et l'adresse (index et sous-index)
- les propriétés de communication, y compris le temps de cycle minimum de l'appareil
- l'identité de l'appareil, le numéro d'article, la photo de l'appareil et le logo du fabricant

Les fichiers IODD sont disponibles sur le site web de Carlo Gavazzi : tbd

6.2. Réglages d'usine

Les réglages d'usine par défaut sont listés à l'annexe 7 sous les valeurs par défaut.

7. Annexe

7.1. Acronymes

DA	Alarme de poussière
Integer	Entier signé
OctetStringT	Tableau d'octets
PDV	Process Data Variable (Variable de données de processus)
R/W	Read and Write (Lire et écrire)
RO	Read Only (Lecture seule)
SO	Switching Output (Sortie de commutation)
SP	Point de consigne
SSC	Switching Signal Channel (Canal du signal de commutation)
StringT	Chaîne de caractères ASCII
TA	Alarme de température
UIntegerT	Entier non-signé
WO	Write Only (Écriture seule)

7.2. Paramètres des dispositifs IO-Link pour CA18FA.. et CA30FA..

7.2.1. Paramètres de l'appareil

Paramètre Nom	Indice Déc (Hex)	Accès	Valeur par défaut	Plage de données	Type de données	Longueur
Nom du fournisseur	16 (0x10)	RO	Carlo Gavazzi	-	StringT	20 octets
Texte du fournisseur	17 (0x11)	RO	www.gavazziautomation.com	-	StringT	26 octets
Nom du produit	18 (0x12)	RO	(Nom du capteur) p.ex. CA30FAN25BPA210	-	StringT	20 octets
ID de produit	19 (0x13)	RO	(code EAN du produit) Par ex. 5709870394046	-	StringT	13 octets
Texte du produit	20 (0x14)	RO	Capteur de proximité capacitif	-	StringT	30 octets
Numéro de série	21 (0x15)	RO	(Numéro de série unique) p.ex. LR24101830834	-	StringT	13 octets
Révision matérielle	22 (0x16)	RO	(Révision matérielle) p.ex. v01.00	-	StringT	6 octets
Révision du firmware	23 (0x17)	RO	(Révision du firmware) p.ex. v01.00	-	StringT	6 octets
Étiquette spécifique à l'application	24 (0x18)	RW	***	N'importe quelle chaîne jusqu'à 32 caractères	StringT	max. 32 octets
Étiquette de fonction	25 (0x19)	RW	***	N'importe quelle chaîne jusqu'à 32 caractères	StringT	max. 32 octets
Emplacement de l'étiquette	26 (0x1A)	RW	***	N'importe quelle chaîne jusqu'à 32 caractères	StringT	max. 32 octets
Nombre d'erreurs	32 (0x20)	RO	0	0...65 535	IntegerT	16 bits
État de l'appareil	36 (0x24)	RO	0 = L'appareil fonctionne correctement	0 = L'appareil fonctionne correctement 1 = Entretien nécessaire 2 = Hors spécification 3 = Contrôle fonctionnel 4 = Échec	UIntegerT	8 bits
État détaillé de l'appareil	37 (0x25)		-	-		3 octets
Défaut de température	-	RO	-	-	OctetStringT	3 octets
Dépassement de température	-	RO	-	-	OctetStringT	3 octets
Température inférieure à la température de fonctionnement	-	RO	-	-	OctetStringT	3 octets
Court-circuit	-	RO	-	-	OctetStringT	3 octets
Entretien requis	-	RO	-	-	OctetStringT	3 octets
Process-DataInput	40 (0x28)	RO	-	-	IntegerT	32 bits

7.2.2. Paramètres SSC

Paramètre Nom	Indice Déc (Hex)	Accès	Valeur par défaut	Plage de données	Type de données	Longueur
Sélection Apprentissage	58 (0x3A)	RW	1 = Signal de commutation Canal 1	0 = Canal par défaut 1 = Canal 1 du signal de commutation 2 = Canal 2 du signal de commutation 255 = Tous les SSC	UIntegerT	8 bits
Résultat de l'apprentissage	59 (0x3B)	-	-	-	RecordT	8 bits
État De l'apprentissage	1 (0x01)	RO	0 = Inactif	0 = Inactif 1 = Succès 4 = Attendre la commande 5 = Occupé 7 = Erreur	-	-
Flag SP1 TP1 Point d'apprentissage 1 du point de consigne 1	2 (0x02)	RO	0 = Pas OK	0 = Pas OK 1 = OK	-	-
Flag SP1 TP2 Point d'apprentissage 2 du point de consigne 1	3 (0x03)	RO	0 = Pas OK	0 = Pas OK 1 = OK	-	-
Flag SP2 TP1 Point d'apprentissage 1 du point de consigne 2	4 (0x04)	RO	0 = Pas OK	0 = Pas OK 1 = OK	-	-
Flag SP2 TP2 Point d'apprentissage 2 du point de consigne 2	5 (0x05)	RO	0 = Pas OK	0 = Pas OK 1 = OK	-	-
Paramètre SSC1 (Signal de commutation Canal)	60 (0x3C)		-	-	-	-
Point de consigne 1 (SP1)	1 (0x01)	R/W	1 000	0 ... 10 000	IntegerT	16 bits
Point de consigne 2 (SP2)	2 (0x02)	R/W	10 000	0 ... 10 000	IntegerT	16 bits
Configuration du SSC1 (Signal de commutation Canal)	61 (0x3D)	-	-	-	-	-
Logique de commutation 1	1 (0x01)	R/W	0 = très actif	0 = Actif-haut 1 = Actif-bas	UIntegerT	8 bits
Mode 1	2 (0x02)	R/W	1 = Mode Point unique	0 = Désactivé 1 = Mode Point unique 2 = Mode fenêtre 3 = Mode Deux points	UIntegerT	8 bits
Hystérésis 1	3 (0x03)	R/W	CA18FAF 6 % CA18FAN 15% CA30FAF 7% CA30FAN 10%	1 ... 100	UIntegerT	16 bits
Paramètre SSC2	62 (0x3E)		-	-	-	-
Point de consigne 1 (SP1)	1 (0x01)	R/W	1 000	0 ... 10 000	IntegerT	16 bits
Point de consigne 2 (SP2)	2 (0x02)	R/W	10 000	0 ... 10 000	IntegerT	16 bits
Configuration du SSC2	63 (0x3F)				UIntegerT	8 bits
Logique de commutation 2	1 (0x01)	R/W	0 = très actif	0 = très actif 1 = faiblement actif	UIntegerT	8 bits
Mode 2	2 (0x02)	R/W	1 = Mode Point unique	0 = Désactivé 1 = Mode Point unique 2 = Mode fenêtre 3 = Mode Deux points	UIntegerT	8 bits
Hystérésis 2	3 (0x03)	R/W	CA18FAF 6 % CA18FAN 15% CA30FAF 8% CA30FAN 10%	1 ... 100	UIntegerT	16 bits

7.2.3. Paramètres de sortie

Paramètre Nom	Indice déc (Hex)	Accès	Valeur par défaut	Plage de données	Type de données	Longueur
Canal 1 (S01)	64 (0x40)					
Mode Etape 1	1 (0x01)	R/W	1 = Sortie PNP	0 = Sortie désactivée 1 = Sortie PNP 2 = Sortie NPN 3 = Sortie push-pull	UIntegerT	8 bits
Sélecteur d'entrée 1	2 (0x02)	R/W	1 = SSC 1	0 = Désactivé 1 = SSC 1 2 = SSC 2 3 = Alarme de poussière 1 (DA1) 4 = Alarme de poussière 2 (DA2) 5 = Alarme de température (TA) 6 = Entrée logique externe	UIntegerT	8 bits
Minuterie 1 - Mode	3 (0x03)	R/W	0 = Minuterie désactivée	0 = Minuterie désactivée 1 = Retard à la mise sous tension 2 = Retard à la mise hors tension 3 = Retard à la mise sous / hors tension 4 = Impulsion sur bord d'attaque 5 = Impulsion sur bord de sortie	UIntegerT	8 bits
Plage de temps 1	4 (0x04)	R/W	0 = Millisecondes	0 = Millisecondes 1 = Secondes 2 = Minutes	UIntegerT	8 bits
Minuterie 1 - Valeur	5 (0x05)	R/W	0	0 à 32 767	IntegerT	16 bits
Fonction logique 1	7 (0x07)	R/W	0 = Direct	0 = Direct 1 = AND 2 = OR 3 = XOR 4 = Set Reset-Flip Flop	UIntegerT	8 bits
Inversion de la sortie 1	8 (0x08)	R/W	0 = Non inversé (N.O.)	0 = Non inversé (Normal ouvert) 1 = Inversé (Normal Fermé)	UIntegerT	8 bits
Canal 2 (S02)	65 (0x41)					
Mode Etape 2	1 (0x01)	R/W	1 = Sortie PNP	0 = Sortie désactivée 1 = Sortie PNP 2 = Sortie NPN 3 = sortie push-pull 4 = Entrée logique numérique (actif haut/Pull-down) 5 = Entrée logique numérique (actif bas/Pull-up) 6 = Apprentissage (Actif haut)	UIntegerT	8 bits
Sélecteur d'entrée 2	2 (0x02)	R/W	1 = SSC 1	0 = Désactivé 1 = SSC 1 2 = SSC 2 3 = Alarme de poussière 1 (DA1) 4 = Alarme de poussière 2 (DA2) 5 = Alarme de température (TA) 6 = Entrée logique externe	UIntegerT	8 bits
Minuterie 2 - Mode	3 (0x03)	R/W	0 = Minuterie désactivée	0 = Minuterie désactivée 1 = Retard à la mise sous tension 2 = Retard à l'arrêt 3 = Retard à la mise sous tension/l'arrêt 4 = Balayage à l'attraction 5 = Bord de fuite	UIntegerT	8 bits
Plage de temps 2	4 (0x04)	R/W	0 = Millisecondes	0 = Millisecondes 1 = Secondes 2 = Minutes	UIntegerT	8 bits
Minuterie 2 - Valeur	5 (0x05)	R/W	0	0 à 32 767	IntegerT	16 bits
Fonction logique 2	7 (0x07)	R/W	0 = Direct	0 = Direct 1 = AND 2 = OR 3 = XOR 4 = Set Reset-Flip Flop	UIntegerT	8 bits
Inversion de la sortie 2	8 (0x08)	R/W	1 = Inversé (Normal Fermé)	0 = Non inversé (normalement ouvert) 1 = Inversé (normalement fermé)	UIntegerT	8 bits

7.2.4. Paramètres réglables spécifiques au capteur

Paramètre Nom	Indice déc (Hex)	Accès	Valeur par défaut	Plage de données	Type de données	Longueur
Sélection du réglage local/à distance	68 (0x44)	RW	1 = Entrée réglage potentiomètre	0 = Désactivé 1 = Entrée trimmer 2 = Apprentissage par fil	UIntegerT	8 bits
Valeur du trimmer	69 (0x45)	RO		10 ... 10 000		
Configuration des données de process	70 (0x46)	RW			RecordT	16 bits
Valeur analogique	1 (0x01)	RW	1 = Valeur analogique Actif	0 = Valeur analogique Inactif 1 = Valeur analogique Actif		
Sortie de commutation 1	2 (0x02)	RW	1 = Sortie de commutation 1 Actif	0 = Sortie de commutation 1 Inactif 1 = Sortie de commutation 1 Actif		
Sortie de commutation 2	3 (0x03)	RW	1 = Sortie de commutation 2 Actif	0 = Sortie de commutation 2 Inactif 1 = Sortie de commutation 2 Actif		
Signal de commutation Canal 1	4 (0x04)	RW	0 = SSC1 Inactif	0 = SSC1 Inactif 1 = SSC1 Actif		
Signal de commutation Canal 2	5 (0x05)	RW	0 = SSC2 Inactif	0 = SSC2 Inactif 1 = SSC2 Actif		
Alarme poussière 1	6 (0x06)	RW	0 = DA1 Inactif	0 = DA1 Inactif 1 = DA1 Actif		
Alarme poussière 2	7 (0x07)	RW	0 = DA2 Inactif	0 = DA2 Inactif 1 = DA2 Actif		
Alarme de température	8 (0x08)	RW	0 = TA inactive	0 = TA inactive 1 = TA active		
Court-circuit	9 (0x09)	RW	0 = SC inactif	0 = SC inactif 1 = SC actif		
Application du capteur pré-réglée	71 (0x47)	R/W	0 = Plage complète	0 = Plage de la pleine échelle 1 = Niveau liquide 2 = Granules en plastique	UIntegerT	8 bits
Seuil d'alarme de température	72 (0x48)	R/W			RecordT	30 bit
Seuil élevé	1 (0x01)	R/W	120	de -50 à 150 [°C]	IntegerT	16 bits
Seuil bas	2 (0x02)	R/W	- 30	de -50 à 150 [°C]	IntegerT	16 bits
Limites de sécurité ON/OFF	73 (0x49)	R/W			RecordT	16 bit
SSC 1 - Limite de sécurité	1 (0x01)	R/W	2 x l'hystérésis standard	0 ... 100	UIntegerT	8 bits
SSC 2 - Limite de sécurité	2 (0x02)	R/W	2 x l'hystérésis standard	0 ... 100	UIntegerT	8 bits
Configuration des événements	74 (0x4A)	R/W			RecordT	16 bits
Entretien (0x8C30)	1 (0x01)	R/W	0 = Entretien Événement de notification - Inactif	0 = Événement de notification Inactif 1 = Événement de notification Actif		
Évènement Défaut de température (0x4000)	2 (0x02)	R/W	0 = Défaut de température Événement erreur - Inactif	0 = Événement erreur Inactif 1 = Événement erreur Actif		
Sur-température (0x4210)	3 (0x03)	R/W	0 = Sur-température Événement avertissement - Inactif	0 = Événement avertissement Inactif 1 = Événement avertissement Actif		
Sous-température (0x4220)	4 (0x04)	R/W	0 = Sous-température Événement avertissement - Inactif	0 = Événement avertissement Inactif 1 = Événement avertissement Actif		
Court-circuit (0x7710)	5 (0x05)	R/W	0 = Court-circuit Événement erreur - Inactif	0 = Événement erreur Inactif 1 = Événement erreur Actif		
Qualité de l'apprentissage	75 (0x4B)	RO	-	0 ... 255	UIntegerT	8 bits
Qualité de l'exécution	76 (0x4C)	RO	-	0 ... 255	UIntegerT	8 bits
Echelle du filtre	77 (0x4D)	R/W	1	1 ... 255	UIntegerT	8 bits
Indication par LED	78 (0x4E)	R/W	1 = Indication par LED Active	0 = Indication par LED Inactive 1 = Indication par LED Active 2 = Trouver mon capteur	UIntegerT	8 bits

7.2.5. Paramètres de diagnostic

Paramètre Nom	Indice déc (Hex)	Accès	Valeur par défaut	Plage de données	Type de données	Longueur
Heures de fonctionnement	201 (0xC9)	RO	0	0 ... 2 147 483 647 [h]	IntegerT	32 bits
Nombre de cycles de commutation	202 (0xCA)	RO	0	0 ... 2 147 483 647	IntegerT	32 bits
Température maximale - Toujours haut	203 (0xCB)	RO	0	de -50 à 150 [°C]	IntegerT	16 bits
Température minimale - Toujours bas	204 (0xCC)	RO	0	de -50 à 150 [°C]	IntegerT	16 bits
Température maximale depuis la mise sous tension	205 (0xCD)	RO	-	de -50 à 150 [°C]	IntegerT	16 bits
Température minimale depuis la mise sous tension	206 (0xCE)	RO	-	de -50 à 150 [°C]	IntegerT	16 bits
Température actuelle	207 (0xCF)	RO	-	de -50 à 150 [°C]	IntegerT	16 bits
Compteur de détection SSC1	210 (0xD2)	RO	-	0 ... 2 147 483 647	IntegerT	32 bits
Minutes au-dessus de la température maximale	211 (0xD3)	RO	-	0 ... 2 147 483 647 [min]	IntegerT	32 bits
Minutes en dessous de la température minimale	212 (0xD4)	RO	-	0 ... 2 147 483 647 [min]	IntegerT	32 bits
Compteur d'événements de maintenance	213 (0xD5)	RO	0	0 ... 2 147 483 647	IntegerT	32 bits
Compteur de téléchargement	214 (0xD6)	RO	0	0 ... 65 536	UIntegerT	16 bits



Sensores capacitivos IO-Link

CA18FA, CA30FA

Instruction manual

Betriebsanleitung

Manuel d'instructions

Manual de instrucciones

Manuale d'istruzione

Brugervejledning

使用手册

Carlo Gavazzi Industri Over Hadstenvej 40, 8340 Hadsten, Dinamarca

Índice

1. Introducción	94
1.1. Descripción	94
1.2. Validez de la documentación	94
1.3. Quién debería utilizar esta documentación	94
1.4. Uso del producto	94
1.5. Precauciones de seguridad	94
1.6. Otros documentos	94
1.7. Acrónimos	95
2. Producto	96
2.1. Características principales	96
2.2. Número de identificación	96
2.3. Modos operativos	97
2.3.1. Modo SIO	97
2.3.2. Modo IO-Link	97
2.4. Parámetros de salida	98
2.4.1. Frontal del sensor	98
2.4.2. Selector de entrada	101
2.4.3. Bloque de funciones lógicas	101
2.4.4. Temporizador (puede ajustarse de forma individual para salida 1 y salida 2)	103
2.4.5. Inversor de salida	106
2.4.6. Modo de etapa de salida	106
2.5. Procedimiento de programación	107
2.5.1. Programación externa (programación por cable)	107
2.5.2. Programación desde el maestro IO-Link	107
2.6. Parámetros ajustables específicos del sensor	110
2.6.1. Selección de ajuste local o remoto	110
2.6.2. Datos y variables de proceso	110
2.6.3. Ajuste de la aplicación del sensor	110
2.6.4. Umbral de alarma de temperatura	110
2.6.5. Límites seguros	111
2.6.6. Configuración de eventos	111
2.6.7. Calidad de funcionamiento QoR	111
2.6.8. Calidad de programación QoT	112
2.6.9. Escalador de filtro	112
2.6.10. Indicación LED	112
2.7. Parámetros de diagnóstico	113
3. Diagramas de conexión	114
4. Puesta en marcha	114
5. Funcionamiento	115
5.1. Interfaz de usuario de CA18FA...IO y CA30FA... IO	115
6. Archivo IODD y ajuste de fábrica	116
6.1. Archivo IODD de un dispositivo IO-Link	116
6.2. Ajustes de fábrica	116
7. Anexo	116
7.2. Parámetros del dispositivo IO-Link para CA18FA.. y CA30FA..	117
7.2.1. Parámetros del dispositivo	117
7.2.2. Parámetros de SSC	118
7.2.3. Parámetros de salida	119
7.2.4. Parámetros ajustables específicos del sensor	120
7.2.5. Parámetros de diagnóstico	121
Dimensiones	212
Montaje	212
Estabilidad de Detección	213
Normas de Instalación	214

1. Introducción

El presente manual es una guía de referencia para los sensores de proximidad capacitivos IO-Link CA18FA...IO y CA30FA...IO de Carlo Gavazzi. Describe cómo instalar, configurar y utilizar el producto para su uso previsto.

1.1. Descripción

Los sensores capacitivos de Carlo Gavazzi son dispositivos diseñados y fabricados de conformidad con las normas internacionales IEC y están sujetos a la Directiva comunitaria de baja tensión (2014/35/UE) y a la Directiva comunitaria de compatibilidad electromagnética (2014/30/UE).

Carlo Gavazzi Industri se reserva todos los derechos sobre el presente documento, por lo que únicamente está permitido realizar copias del mismo para uso interno.

No dude en realizar propuestas de mejora del documento si lo estimara conveniente.

1.2. Validez de la documentación

Este manual es válido únicamente para los sensores capacitivos CA18 y CA30 con IO-Link y hasta la publicación de nueva documentación.

Este manual de instrucciones describe la función, el funcionamiento y la instalación del producto para su uso previsto.

1.3. Quién debería utilizar esta documentación

El presente manual contiene información importante sobre la instalación, por lo que el personal especializado que trabaje con estos sensores de proximidad capacitivos deberá leerlo y comprenderlo íntegramente.

Recomendamos encarecidamente que lea el manual minuciosamente antes de instalar el sensor. Guarde el manual para consultarlo más adelante. El manual de instalación está dirigido al personal técnico cualificado.

1.4. Uso del producto

Los sensores de proximidad capacitivos son dispositivos sin contacto capaces de medir la posición y/o el cambio de posición de cualquier objetivo conductor. También pueden medir el grosor o la densidad de materiales no conductores. Los sensores de proximidad capacitivos se utilizan en una gran variedad de aplicaciones, por ejemplo, procesos de moldeo de plástico, sistemas de alimentación de pollos o cerdos, pruebas en líneas de montaje, proceso de llenado o vaciado de objetos sólidos o líquidos.

Los sensores CA18FA...IO y CA30FA...IO están equipados con comunicación IO-Link. El uso de un maestro IO-Link permite manejar y configurar estos dispositivos.

1.5. Precauciones de seguridad

Este sensor no debe utilizarse en aplicaciones en las que la seguridad personal dependa del funcionamiento adecuado del sensor (el sensor no está diseñado conforme a la Directiva comunitaria de máquinas).

La instalación y el uso deben llevarse a cabo por personal técnico capacitado con conocimientos básicos sobre instalaciones eléctricas.

El instalador es responsable de la instalación correcta conforme a las normativas de seguridad locales y debe asegurar que un sensor defectuoso no suponga peligro alguno para personas ni equipos. Si el sensor estuviera defectuoso, deberá sustituirse y asegurarse para impedir un uso no autorizado.

1.6. Otros documentos

Puede encontrar la ficha de datos, el archivo IODD y el manual de parámetros IO-Link en internet en <http://gavazziautomation.com>

1.7. Acrónimos

E/S	Entrada/salida
PD	Datos de proceso
PLC	Controlador lógico programable
SIO	Entrada salida estándar
SP	Puntos de consigna
IODD	Descripción del dispositivo E/S
IEC	Comisión electrotécnica internacional
NO	Contacto normalmente abierto
NC	Contacto normalmente cerrado
NPN	Carga a tierra
PNP	Carga a V+
Push-Pull	Carga a tierra o a V+
QoR	Calidad de funcionamiento
QoT	Calidad de programación
UART	Transmisor-receptor asíncrono universal
SO	Salida de conmutación
SSC	Canal de señal de conmutación

2. Producto

2.1. Características principales

Los nuevos sensores Tripleshield CC de 4 cables IO-Link de 4.ª generación de Carlo Gavazzi, fabricados conforme a los máximos requisitos de calidad, están disponibles en dos tamaños de caja diferentes.

- CA18FA.. PTFE, caja cilíndrica con rosca cilíndrica M18 para montaje empotrado o no empotrado con conector M12 de 4 polos o cable de PVC de 2 metros.
- CA30FA.. PTFE, caja cilíndrica con rosca cilíndrica M30 para montaje empotrado o no empotrado con conector M12 de 4 polos o cable de PVC de 2 metros.

Pueden funcionar en modo E/S estándar (SIO), el modo de funcionamiento predeterminado. Cuando están conectados a un maestro IO-Link, conmutan automáticamente al modo IO-Link pudiéndose manejar y configurar fácilmente de forma remota.

Gracias a su interfaz IO-Link, estos dispositivos son mucho más inteligentes y presentan numerosas opciones de configuración adicionales como, por ejemplo, la distancia de detección y la histéresis ajustables, así como funciones de temporizador de la salida. Las funcionalidades avanzadas como el bloque de funciones lógicas y la posibilidad de convertir una salida en una entrada externa hacen de estos sensores soluciones altamente flexibles para solventar tareas de detección descentralizadas.

2.2. Número de identificación

Código	Opción	Descripción
C	-	Principio de detección: sensor capacitivo
A	-	Caja cilíndrica con cilindro roscado
<input type="checkbox"/>	18	Caja M18
	30	Caja M30
F	-	Caja de PTFE
A	-	Detección axial
<input type="checkbox"/>	F	Montaje empotrado
	N	Montaje no empotrado
<input type="checkbox"/>	08	Distancia de detección de 8 mm (para CA18...)
	12	Distancia de detección de 12 mm (para CA18...)
	16	Distancia de detección de 16 mm (para CA30...)
	25	Distancia de detección de 25 mm (para CA30...)
B	-	Funciones seleccionables: NPN, PNP, <i>push-pull</i> , entrada externa (solo terminal 2), entrada de programación externa (solo terminal 2)
P	-	Seleccionable: NA o NC
<input type="checkbox"/>	A2	Cable de PVC de 2 metros
	M1	M12, conector de 4 polos
IO	-	Versión IO-Link

Pueden utilizarse caracteres adicionales para versiones personalizadas.

2.3. Modos operativos

Los sensores capacitivos IO-Link disponen de dos salidas de conmutación (SO) y pueden funcionar en dos modos diferentes: modo SIO (modo E/S estándar) o modo IO-Link.

2.3.1. Modo SIO

Cuando el sensor funciona en modo SIO (por defecto), no es necesario un maestro IO-Link. El dispositivo funciona como sensor capacitivo estándar y puede manejarse a través de un dispositivo de bus de campo o un controlador (p. ej., un PLC) cuando está conectado a sus entradas digitales PNP, NPN o *push-pull* (puerto E/S estándar). Una de las mayores ventajas que brindan estos sensores capacitivos es la posibilidad que existe de configurarlos a través de un maestro IO-Link y así, una vez desconectados, conservan los últimos ajustes de parámetros y configuración. De este modo es posible, por ejemplo, configurar las salidas del sensor de forma individual como PNP, NPN o *push-pull* o agregar funciones de temporizador como retardos T-on y T-off o funciones lógicas y satisfacer así diferentes requisitos de aplicación con el mismo sensor.

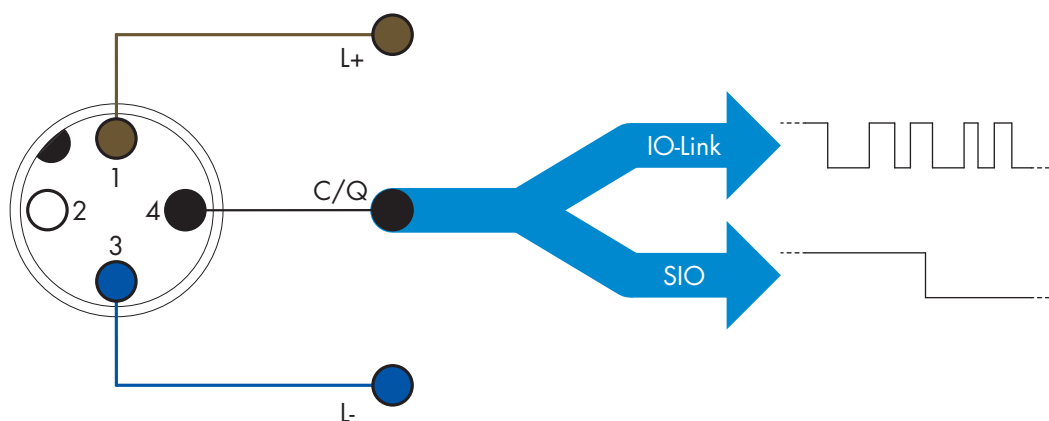
2.3.2. Modo IO-Link

IO-Link es una tecnología IO estandarizada reconocida a nivel mundial como norma internacional (IEC 61131-9).

En la actualidad se considera la "interfaz USB" para sensores y actuadores en el entorno de la automatización industrial.

Cuando el sensor está conectado a un puerto IO-Link, el maestro IO-Link envía una solicitud de activación (impulso de activación) al sensor que, automáticamente, conmuta al modo IO-Link: entonces se inicia automáticamente la comunicación bidireccional punto a punto entre el maestro y el sensor.

La comunicación IO-Link requiere solo un cable estándar no apantallado de 3 hilos con una longitud máxima de 20 m.



La comunicación IO-Link tiene lugar con una modulación de pulso de 24 V, el protocolo estándar UART por medio del cable de conmutación y comunicación (canal combinado de datos y de estado de conmutación C/Q) terminal 4 o un cable negro.

Un conector macho M12 de 4 terminales, por ejemplo, tiene:

- Alimentación positiva: terminal 1, marrón
- Alimentación negativa: terminal 3, azul
- Salida digital 1: terminal 4, negro
- Salida digital 2: terminal 2, blanco

La velocidad de transmisión de los sensores CA18FA...IO o CA30FA...IO es de 38.4 kBaud (COM2). Una vez conectado al puerto IO-Link, el maestro dispone de acceso remoto a todos los parámetros del sensor y a funcionalidades avanzadas, lo que permite cambiar los ajustes y la configuración durante el funcionamiento y habilita funciones de diagnóstico como, por ejemplo, advertencias de temperatura, alarmas de temperatura y datos de proceso.

Gracias a IO-Link, es posible ver la información del fabricante y el número de referencia (datos de servicio) del dispositivo conectado, a partir de V1.1. La función de almacenamiento de datos permite sustituir el dispositivo y transferir automáticamente a la unidad de sustitución toda la información almacenada en el dispositivo antiguo.

El acceso a los parámetros internos permite al usuario ver el rendimiento del sensor leyendo, por ejemplo, la temperatura interna.

Los datos de eventos posibilitan al usuario obtener información de diagnóstico como un error, una alarma, una advertencia o un problema de comunicación.

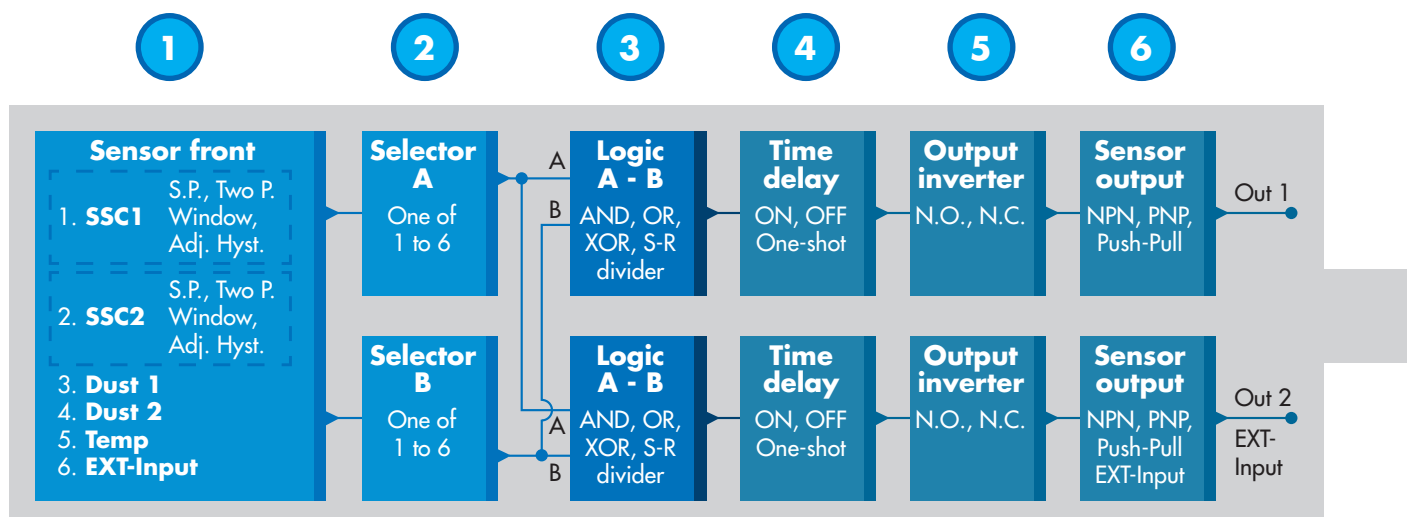
Existen dos tipos de comunicación diferentes entre el sensor y el maestro que son independientes entre sí:

- Comunicación cíclica para los datos de proceso y el estado de los valores. Estos datos se cambian cíclicamente.
- Comunicación acíclica para la configuración de parámetros, los datos de identificación, la información de diagnóstico y los eventos (p. ej., mensajes de error o advertencias). Estos datos pueden cambiarse previa solicitud.

2.4. Parámetros de salida

El sensor mide cinco valores físicos diferentes. Estos valores pueden ajustarse de modo independiente y utilizarse como fuente para la entrada de conmutación 1 o 2. Además de estas, puede seleccionarse una entrada externa para SO2. Tras seleccionar una de estas fuentes, es posible configurar la salida del sensor con un maestro IO-Link siguiendo los seis pasos indicados más abajo para la configuración de la salida de conmutación.

Una vez que el sensor se ha desconectado del maestro, conmutará al modo SIO y conservará el último ajuste de configuración.



1

2.4.1. Frontal del sensor

Cuando un objeto, ya sea sólido o líquido, se aproxima al frontal del sensor, la capacitancia del circuito de detección se ve afectada, y la salida del sensor cambia su estado.

2.4.1.1. Canal de señal de conmutación (SSC)

Para detectar la presencia (o la ausencia de presencia) de un objeto en frente del frontal del sensor están disponibles los siguientes ajustes: SSC1 o SSC2.

Los puntos de consigna pueden ajustarse desde 0 hasta 10 000 unidades que representan el cambio de la capacitancia del circuito de detección. El valor será mayor cuanto más cerca aparezca el objetivo del frontal de detección del sensor. También un valor dieléctrico mayor del objetivo aumentará el valor. Un objetivo metálico, p. ej., presenta un valor dieléctrico superior a un objetivo de plástico.

2.4.1.2. Modo de punto de conmutación

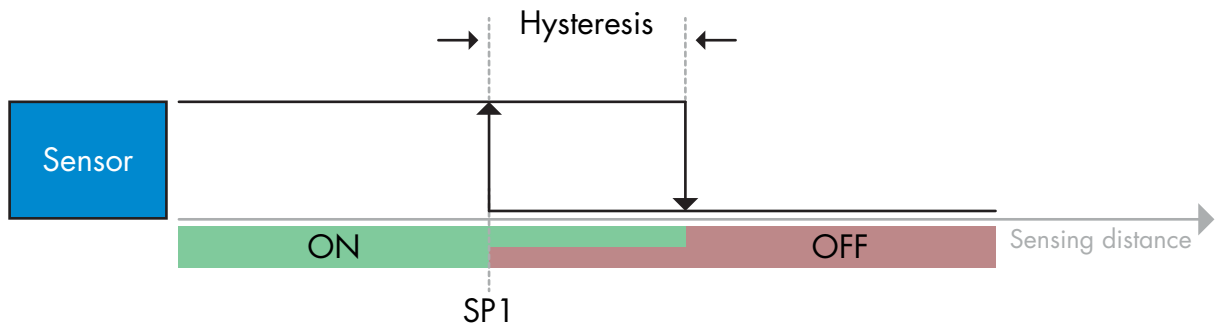
El ajuste del modo de punto de conmutación puede utilizarse para crear un comportamiento de salida más avanzado. Pueden seleccionarse los siguientes modos de punto de conmutación para el comportamiento de conmutación de SSC1 y SSC2

Deshabilitado

SSC1 o SSC2 pueden deshabilitarse individualmente, aunque esto deshabilitará también la salida si está seleccionada en el selector de salida (el valor lógico será siempre "0").

Modo de punto único

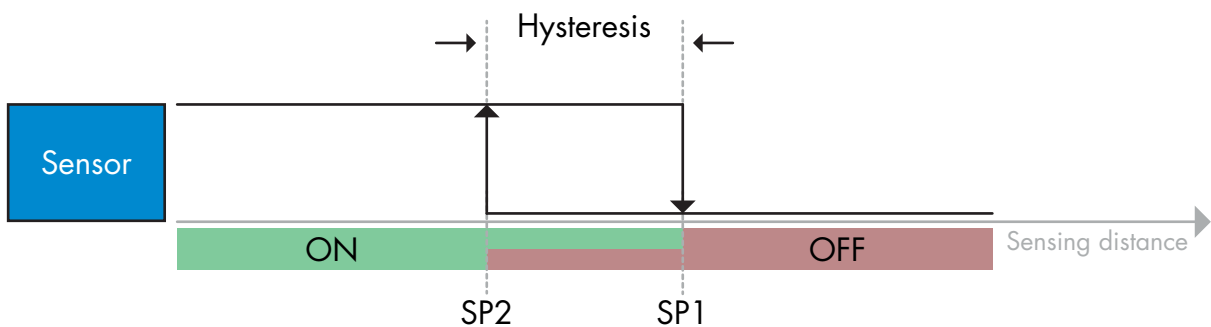
La información de conmutación cambia cuando el valor de medición traspasa el umbral definido en el punto de consigna SP1, con valores de medición en aumento o descenso, teniendo en cuenta la histéresis.



Ejemplo de detección de presencia - con lógica no invertida

Modo de punto doble

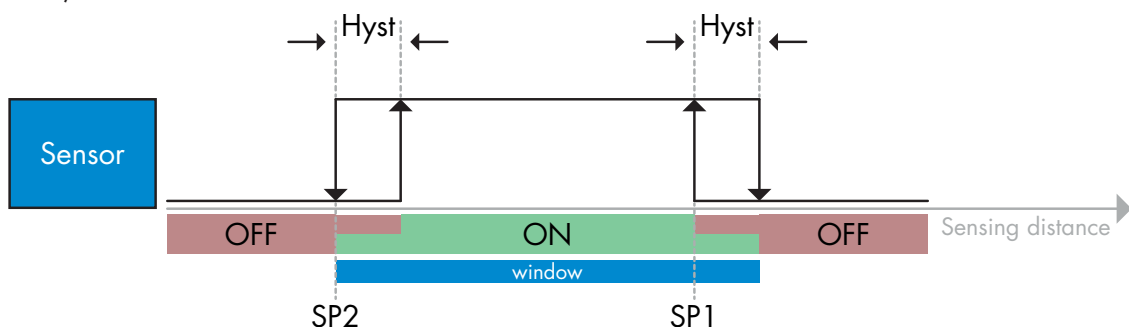
La información de conmutación cambia cuando el valor de medición traspasa el umbral definido en el punto de consigna SP1. Este cambio se produce únicamente con valores de medición en aumento. La información de conmutación también cambia cuando el valor de medición traspasa el umbral definido en el punto de consigna SP2. Este cambio se produce únicamente con valores de medición en descenso. En este caso no se tiene en cuenta la histéresis.



Ejemplo de detección de presencia - con lógica no invertida

Modo de ventana

La información de conmutación cambia cuando el valor de medición traspasa el umbral definido en el punto de consigna SP1 y en el punto de consigna SP2, con valores de medición en aumento o descenso, teniendo en cuenta la histéresis.



Ejemplo de detección de presencia - con lógica no invertida

2.4.1.3. Ajustes de histéresis

En el modo de punto único SSC1 y SSC2 y en el modo de ventana, la histéresis puede ajustarse entre el 1 y el 100 % del valor de conmutación real. Los ajustes estándar dependen del tipo de detección:

CA18FAF...	4 %
CA18FAN...	15 %
CA30FAF...	5 %
CA30FAN...	10 %

(SP2 + histéresis < SP1) y (SP1 + histéresis < límite superior del rango de detección).

Información

Por lo general se utiliza una histéresis ampliada para resolver problemas de vibraciones o CEM en la aplicación.

2.4.1.4. Alarma de polvo 1 y alarma de polvo 2

Es posible ajustar el límite seguro entre el momento en el que conmuta la salida de detección y el valor en el que el sensor puede detectar de forma segura incluso una ligera formación de polvo.

Véase 2.6.5 Límites de seguridad.

2.4.1.5. Alarma de temperatura (TA)

El sensor controla constantemente la temperatura interna en la parte frontal del sensor. Utilizando el ajuste de la alarma de temperatura es posible recibir una alarma del sensor si se exceden los umbrales de temperatura. Véase el apartado 2.6.4.

La alarma de temperatura dispone de dos valores separados, uno para ajustar la temperatura máxima y el otro para el ajuste de la temperatura mínima.

Es posible leer la temperatura del sensor por medio de los datos de parámetros IO-Link acíclicos.

NOTA

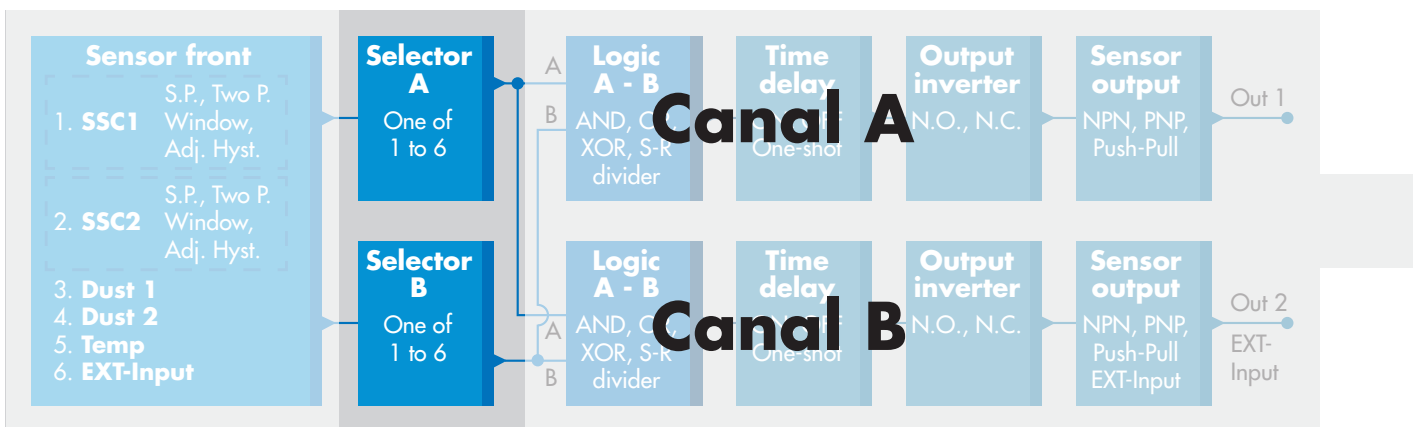
La temperatura medida por el sensor será siempre superior a la temperatura ambiente debido al calentamiento interno.

La diferencia entre la temperatura ambiente y la temperatura interna se ve afectada por cómo está montado el sensor en la aplicación. Si el sensor está montado en un soporte metálico, la diferencia será menor a si está montado en uno de plástico.

2.4.1.6. Entrada externa

La salida 2 (SO2) puede configurarse como entrada externa permitiendo que se envíen señales externas al sensor ya sea desde un segundo sensor, desde un PLC o directamente desde la salida de una máquina.

2

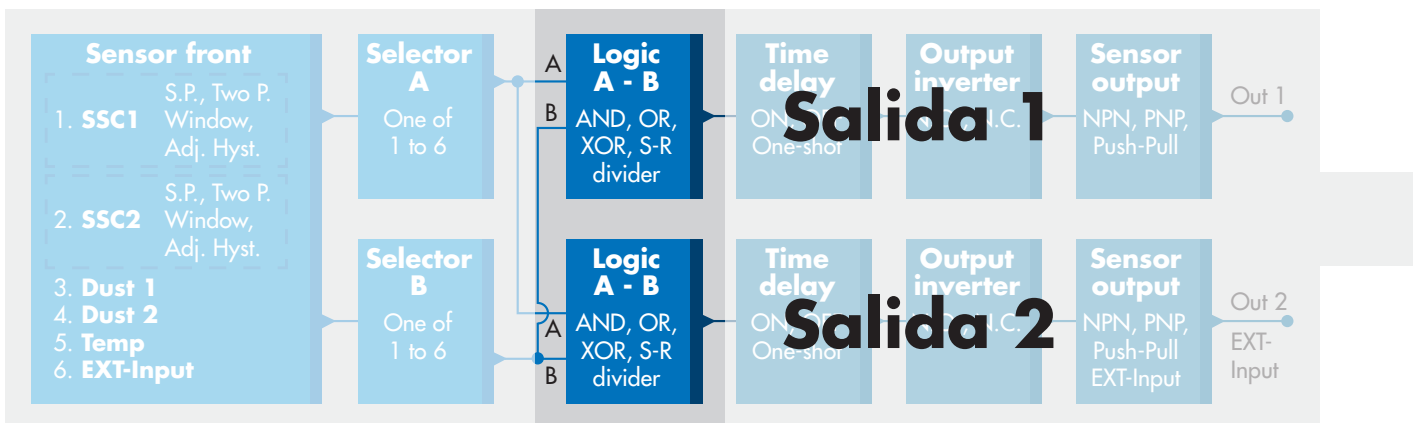


2.4.2. Selector de entrada

Este bloque de funciones permite al usuario seleccionar cualquiera de las señales desde el "frontal del sensor" al canal A o B.

Canal A y B: es posible seleccionar entre SSC1, SSC2, alarma de polvo 1, alarma de polvo 2, alarma de temperatura y entrada externa.

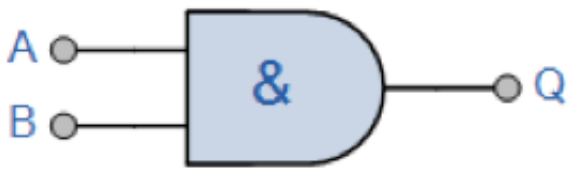
3



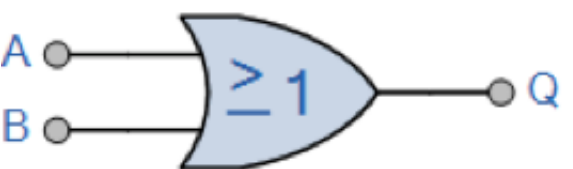
2.4.3. Bloque de funciones lógicas

En el bloque de funciones lógicas, las señales seleccionadas del selector de entrada pueden añadirse directamente a una función lógica sin utilizar un PLC permitiendo así decisiones descentralizadas. Las funciones lógicas disponibles son: AND, OR, XOR, SR-FF.

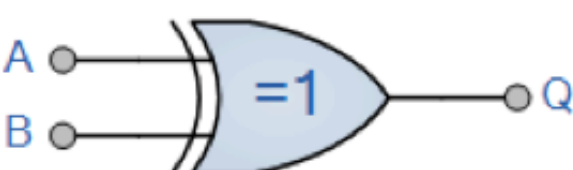
Función AND

Símbolo	Tabla de verdad		
 <p>2 entradas AND puerta</p>	A	B	Q
	0	0	0
	0	1	0
	1	0	0
	1	1	1
Expresión booleana Q = A.B	Leída como A Y B da como resultado Q		

Función OR

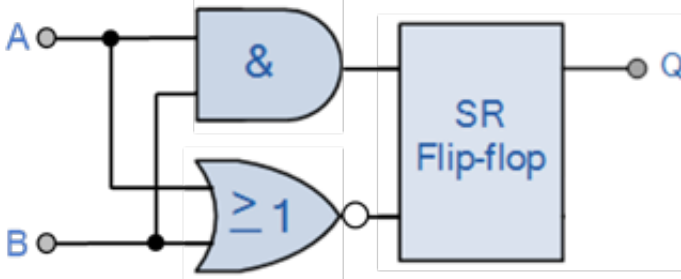
Símbolo	Tabla de verdad		
 <p>2 entradas OR puerta</p>	A	B	Q
	0	0	0
	0	1	1
	1	0	1
	1	1	1
Expresión booleana Q = A + B	Leída como A O B da como resultado Q		

Función XOR

Símbolo	Tabla de verdad		
 <p>2 entradas XOR puerta</p>	A	B	Q
	0	0	0
	0	1	1
	2 entradas OR puerta		1
	1	1	0
Expresión booleana Q = A ⊕ B	A O B, pero NO AMBAS da como resultado Q		

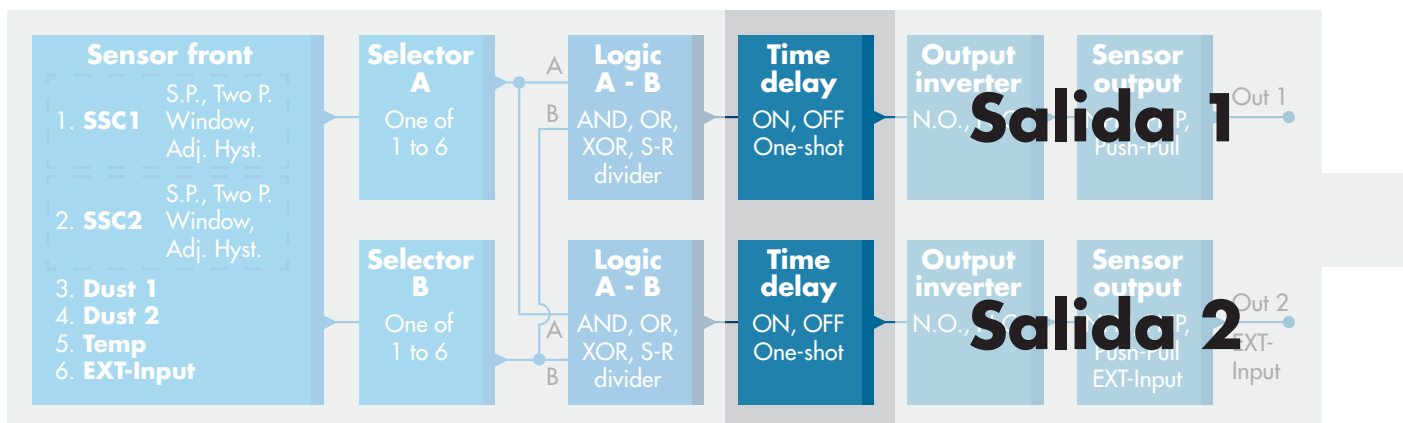
Función "SR-FF cerrado"

La función está diseñada, p. ej., como función de llenado o vaciado utilizando solo dos sensores interconectados

Símbolo	Tabla de verdad		
	A	B	Q
	0	0	0
	0	1	X
	1	0	X
	1	1	1

X – sin cambios a la salida.

4



2.4.4. Temporizador (puede ajustarse de forma individual para salida 1 y salida 2)

El temporizador permite al usuario introducir diferentes funciones de temporizador editando 3 parámetros:

- Modo de temporizador
- Escala de temporizador
- Valor de temporizador

2.4.4.1. Modo de temporizador

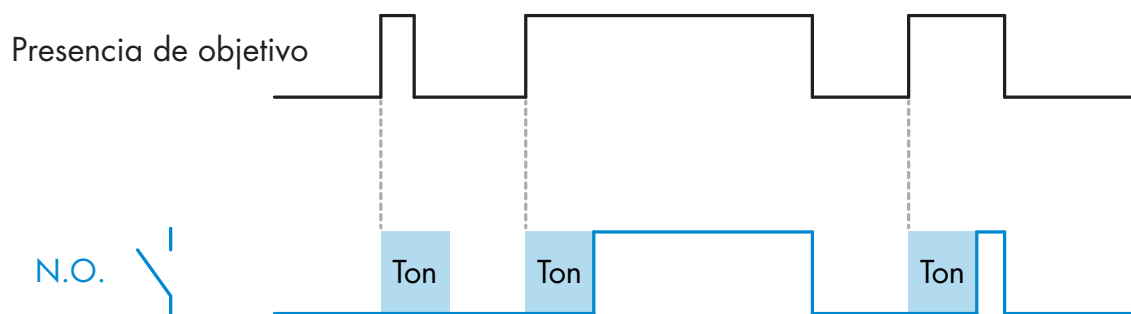
Selecciona qué tipo de función de temporizador se ha introducido en la salida de conmutación. Es posible cualquiera de las siguientes:

2.4.4.1.1. Deshabilitada

Esta opción deshabilita la función de temporizador independientemente de la configuración de la escala y del retardo del temporizador.

2.4.4.1.2. Retardo a la conexión (T-on)

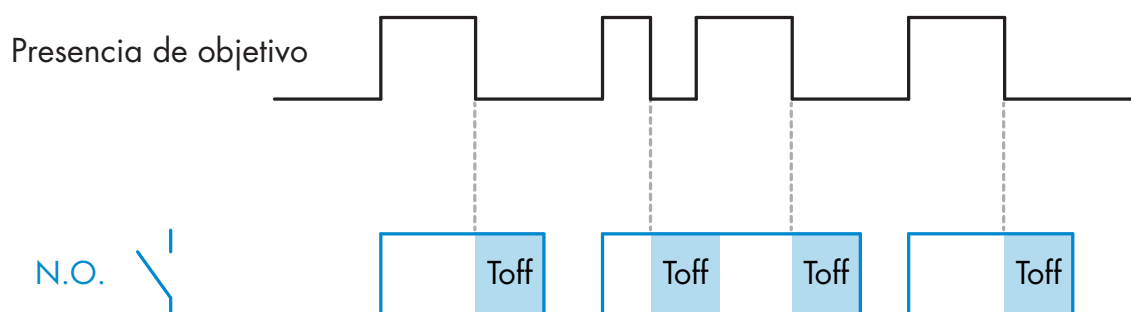
La activación de la salida de conmutación se genera después de la actuación real del sensor mostrada en el figura inferior.



Ejemplo con salida normalmente abierta

2.4.4.1.3. Retardo a la desconexión (T-off)

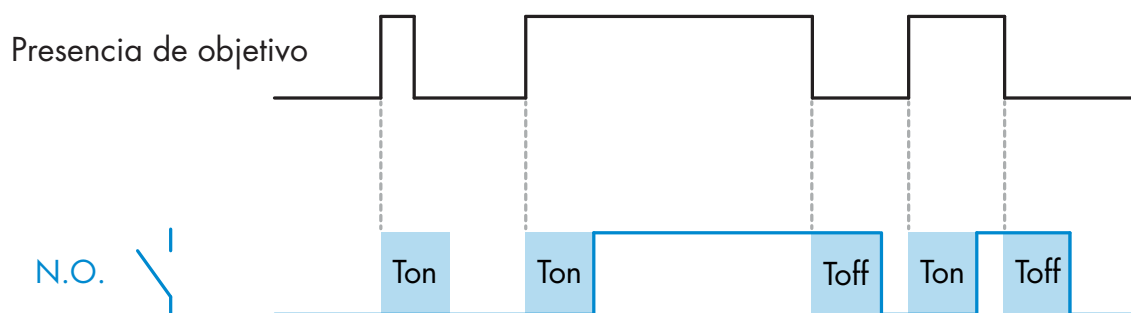
La desactivación de la salida de conmutación se retrasa con respecto al tiempo de retirada del objetivo en frente del sensor según muestra la figura inferior.



Ejemplo con salida normalmente abierta

2.4.4.1.4. Retardo a la conexión y a la desconexión (T-on y T-off)

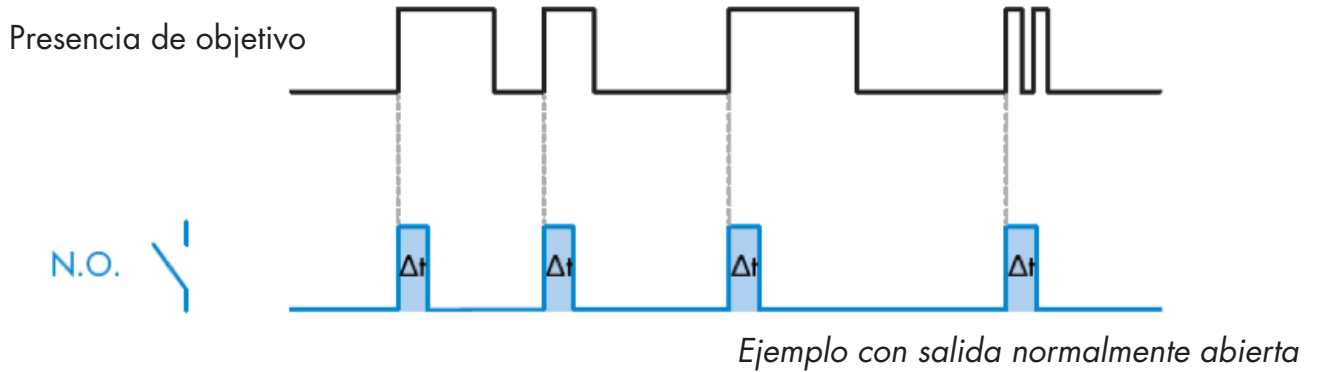
Cuando ambos están seleccionados, se aplican los retardos T-on y T-off a la generación de la salida de conmutación.



Ejemplo con salida normalmente abierta

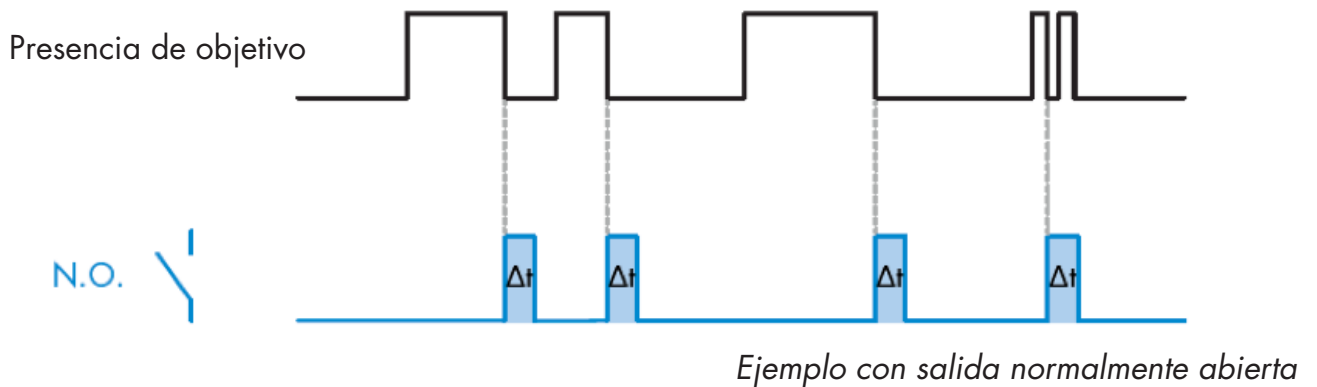
2.4.4.1.5. Borde de ataque de disparo

Cada vez que se detecta un objetivo en frente del sensor, la salida de conmutación genera un impulso de longitud constante en el borde de ataque de la detección. Véase la imagen inferior.



2.4.4.1.6. Borde de salida de disparo

Modo de función similar a la del modo de borde de ataque de disparo, aunque en este modo la salida de conmutación se cambia en el borde de salida de la activación según muestra la figura inferior.

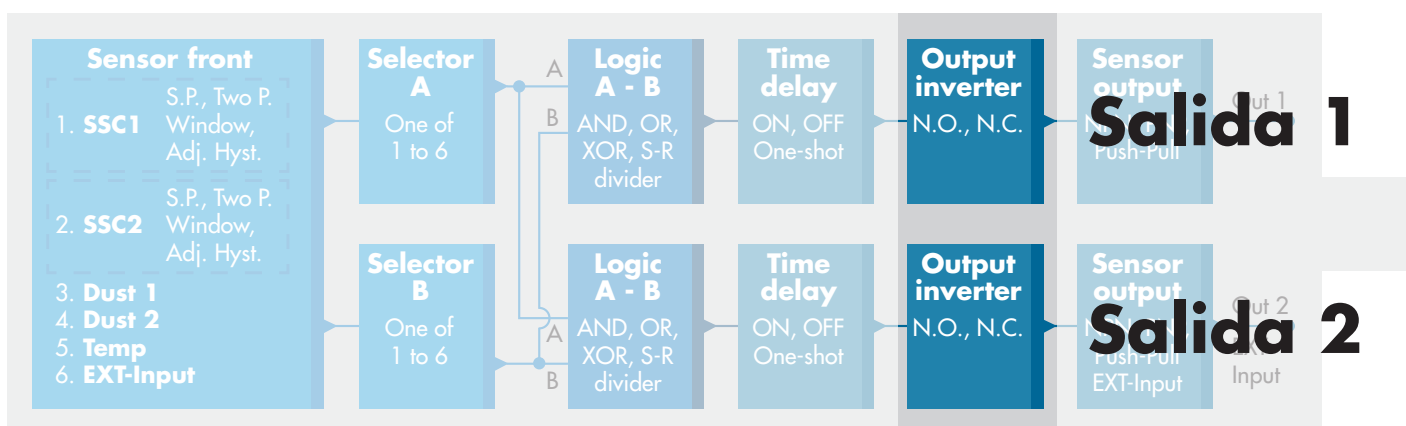


2.4.4.1.7. Escala de temporizador

El parámetro define si el retardo especificado en el retardo de temporizador debe indicarse en milisegundos, segundos o minutos.

2.4.4.1.8. Valor de temporizador

El parámetro define la duración real del retardo. El retardo puede ajustarse a cualquier valor entero comprendido entre 1 y 32 767.



2.4.5. Inversor de salida

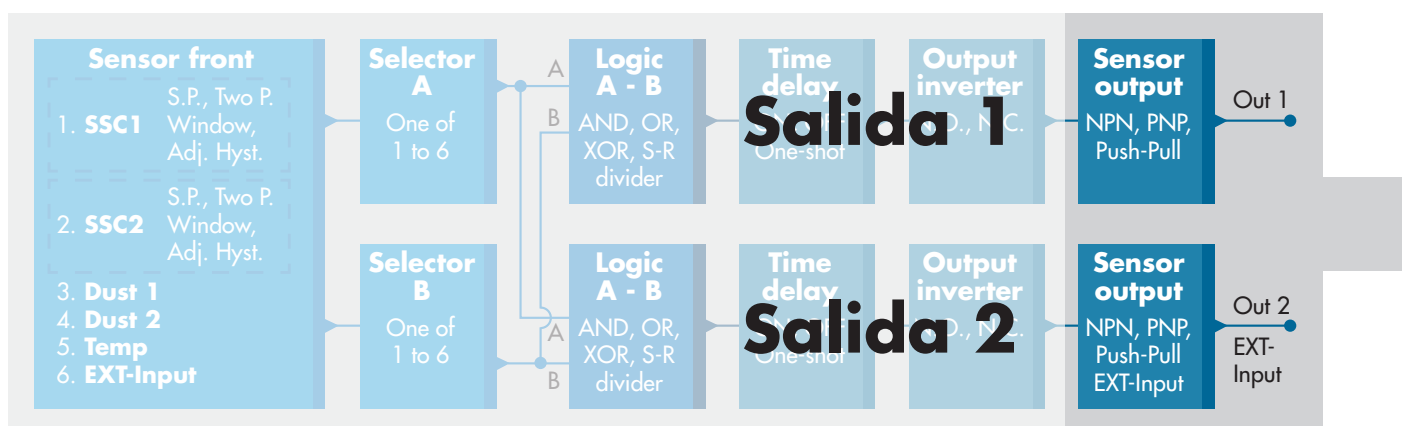
Esta función permite al usuario invertir el funcionamiento de la salida de conmutación entre normalmente abierta y normalmente cerrada.

FUNCIÓN RECOMENDADA

La función recomendada se encuentra en los parámetros bajo 64 (0x40) subíndice 8 (0x08) para SO1 y 65 (0x41) subíndice 8 (0x08) para SO2 y no afecta negativamente a las funciones lógicas ni a las funciones de temporizador del sensor puesto que se agrega después de esas funciones.

PRECAUCIÓN

No se recomienda utilizar la función lógica de conmutación que puede encontrarse bajo 61 (0x3F) subíndice 1 (0x01) para SSC1 y 63 (0x3D) subíndice 1 (0x01) para SSC2 puesto que afectará negativamente en las funciones lógicas o de temporizador provocando, p. ej., que esta función convierta un retardo a la conexión en un retardo a la desconexión ya que se añade para SSC1 y SSC2 y no solo para SO1 y SO2.



2.4.6. Modo de etapa de salida

En este bloque de funciones, el usuario puede seleccionar si las salidas de conmutación deben funcionar como:

SO1: Configuración deshabilitada, NPN, PNP o *push-pull*.

SO2: Deshabilitada, NPN, PNP, *push-pull*, entrada externa (activa alta/descenso), entrada externa (activa baja/ascenso) o entrada de programación externa.

2.5. Procedimiento de programación

2.5.1. Programación externa (programación por cable)

Nota: esta función trabaja en el modo de punto único y solo para SP1 en SSC1.

La programación por cable debe ajustarse primero utilizando un maestro IO-Link:

- Seleccione: "2=Programación por cable" en la selección de los parámetros de ajuste local/remoto 68 (0x44).
- Seleccione: "1=Modo de punto único" ya se ha seleccionado en "Configuración de SSC1" 61(0x3D), "Modo 1" 2(0x02), (este valor debería estar ajustado ya por defecto).
- Seleccione: 6=Programación (activa alta) en canal 2 (SO2) 65 (0x41) subíndice 1 (0x01).

Procedimiento de programación por cable.

- Sitúe el objetivo en frente del sensor y conecte la entrada para la programación por cable (cable blanco de terminal 2) a V+ (cable marrón de terminal 1). El LED amarillo parpadeará a 1 Hz (encendido durante 100 ms y apagado durante 900 ms).
- Desconecte el cable antes de que transcurran 3-6 segundos. El LED amarillo parpadea a 1 Hz (encendido durante 900 ms y apagado durante 100 ms).
- Después de haber realizado correctamente la programación, el LED amarillo parpadeará a 2 Hz (encendido durante 250 ms y apagado durante 250 ms).

Nota: si hubiera que cancelar el procedimiento de programación, no retire el cable después de 3 a 6 segundos, sino manténgalo conectado durante 12 segundos hasta que el LED amarillo parpadee a 10 Hz (encendido durante 50 ms y apagado durante 50 ms).

2.5.2. Programación desde el maestro IO-Link

a) Para habilitar la programación desde el maestro IO-Link, deshabilite primero la entrada de potenciómetro:

Seleccione: "0=Deshabilitada" en la sección de parámetros de ajuste local/remoto 68 (0x44).

b) Los comandos de equipo individuales pueden escribirse en el índice 2.

2.5.2.1. Procedimiento de modo de punto único

Seleccione el canal de conmutación que desee programar.

a) Seleccione: 1=SSC1 o 2=SSC2 en "Seleccionar programación" 58(0x3A) o 255 = Todos los SSC.

b) Cambie la histéresis si se solicitase para SSC1 o SSC2.

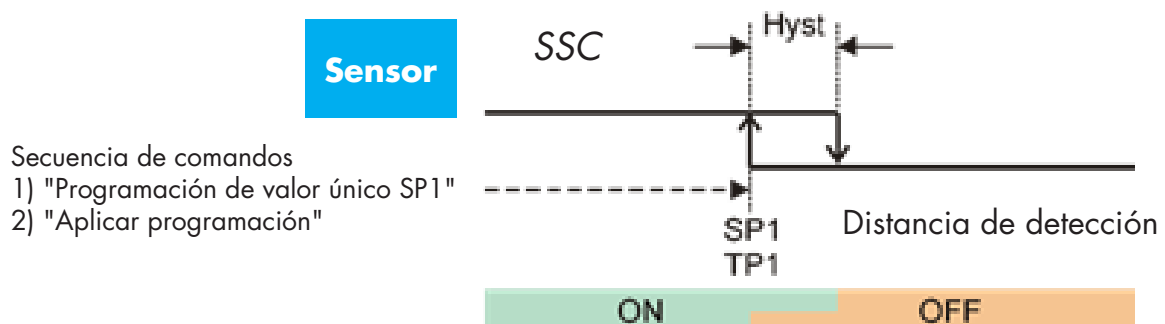
- "Configuración de SSC1" 61(0x3D) "Histéresis" 3(0x03).
- "Configuración de SSC2" 62(0x3E) "Histéresis" 3(0x03).

Nota: no se recomienda cambiar la histéresis por debajo de los valores indicados en la lista de parámetros de SSC.

1) Secuencia de comandos de programación de valor único:

N.º 65 "Programación de valor único SP1"

N.º 64 "Aplicar programación" (comando opcional)

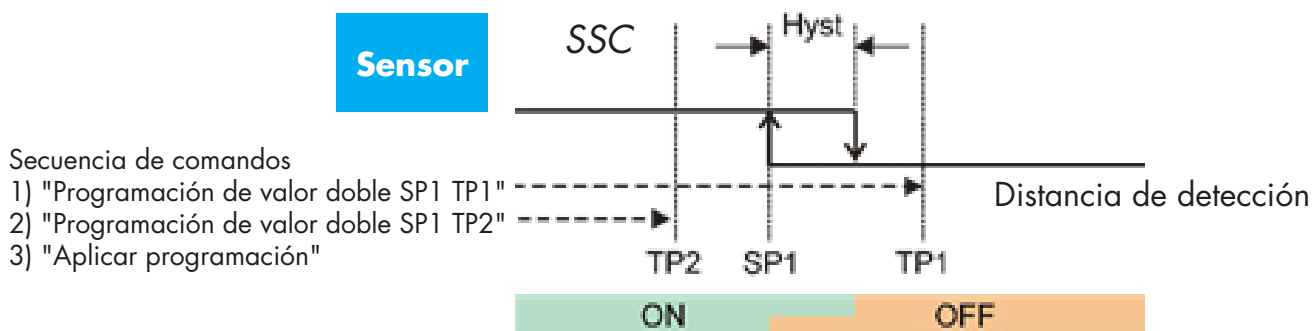


2) Secuencia de comandos de programación dinámica

- N.º 71 "Iniciar programación dinámica SP1"
- N.º 72 "Detener programación dinámica SP1"
- N.º 64 "Aplicar programación" (comando opcional)

3) Secuencia de comandos de programación de valor doble

- N.º 67 "Programación de valor doble SP1 TP1"
- N.º 68 "Programación de valor doble SP1 TP2"
- N.º 64 "Aplicar programación" (comando opcional)

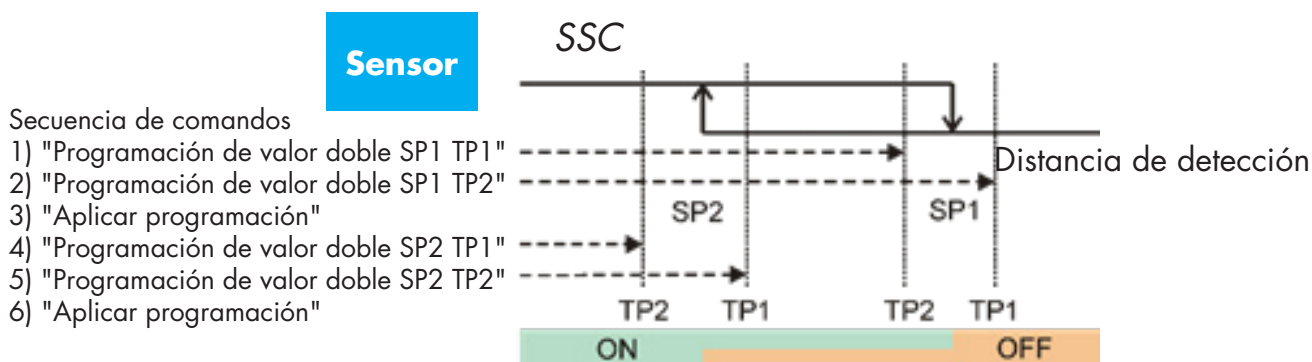


2.5.2.2. Procedimiento de modo de punto doble

1) Secuencia de comandos de programación de valor doble:

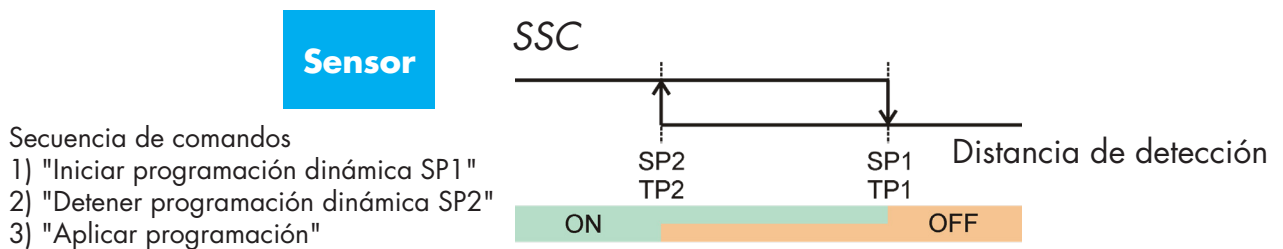
- N.º 67 "Programación de valor doble SP1 TP1"
- N.º 68 "Programación de valor doble SP1 TP2"
- N.º 64 "Aplicar programación" (comando opcional)

- N.º 69 "Programación de valor doble SP2 TP1"
- N.º 70 "Programación de valor doble SP2 TP2"
- N.º 64 "Aplicar programación" (comando opcional)



2) Secuencia de comandos de programación dinámica:

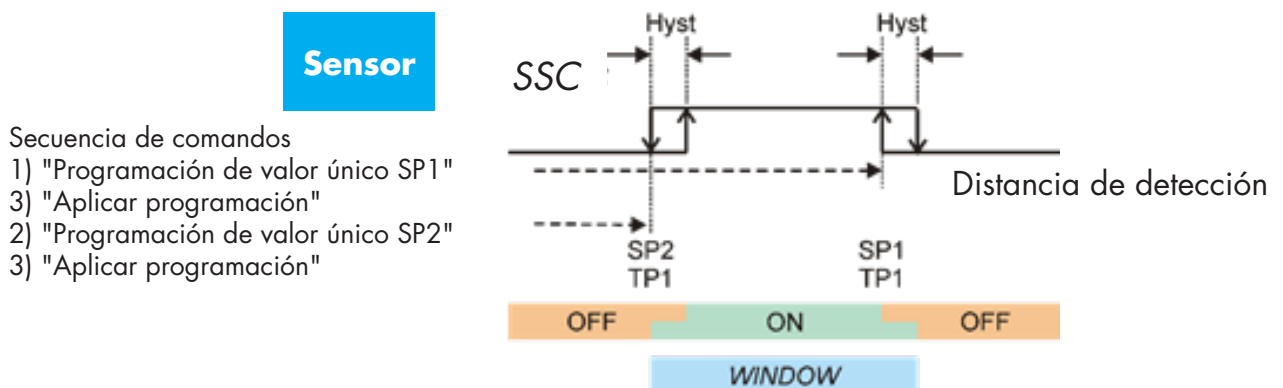
- N.º 71 "Iniciar programación dinámica SP1 "
- N.º 72 "Detener programación dinámica SP1 "
- N.º 73 "Iniciar programación dinámica SP2 "
- N.º 74 "Detener programación dinámica SP2 "
- N.º 64 "Aplicar programación" (comando opcional)



2.5.2.3. Procedimiento de modo de ventana

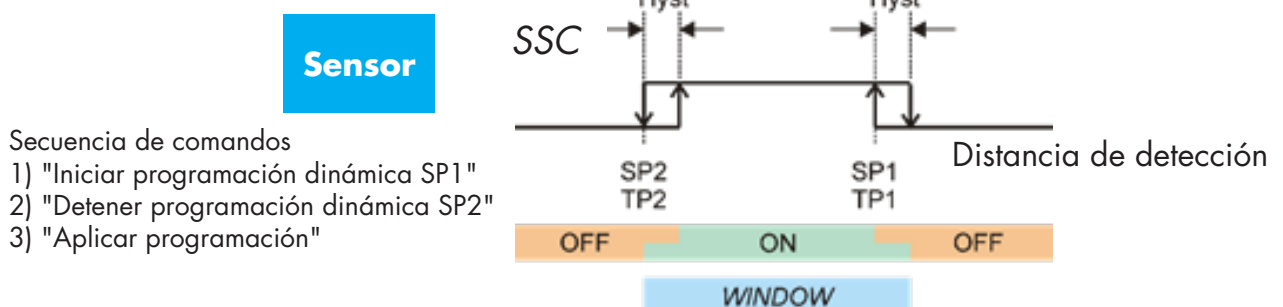
1) Secuencia de comandos de programación de valor único:

- N.º 65 "Programación de valor único SP1 "
- N.º 66 "Programación de valor único SP2 "
- N.º 64 "Aplicar programación" (comando opcional)



2) Secuencia de comandos de programación dinámica:

- N.º 71 "Iniciar programación dinámica SP1 "
- N.º 72 "Detener programación dinámica SP1 "
- N.º 73 "Iniciar programación dinámica SP2 "
- N.º 74 "Detener programación dinámica SP2 "
- N.º 64 "Aplicar programación" (comando opcional)



2.6. Parámetros ajustables específicos del sensor

Además de los parámetros directamente relacionados con la configuración de la salida, el sensor también cuenta con diferentes parámetros internos de utilidad para la configuración y el diagnóstico.

2.6.1. Selección de ajuste local o remoto

Es posible seleccionar cómo ajustar la distancia de detección seleccionando el potenciómetro, la programación por cable utilizando la entrada externa del sensor o deshabilitar el potenciómetro para que el sensor esté protegido contra manipulaciones.

2.6.2. Datos y variables de proceso

Cuando el sensor funciona en el modo IO-Link, el usuario puede acceder a las variables de datos de proceso cíclicos.

Los datos de proceso muestran por defecto los siguientes parámetros como activos: valor analógico de 16 bits, salida de conmutación 1 (SO1) y salida de conmutación 2 (SO2).

Los siguientes parámetros están ajustados como inactivos: SSC1, SSC2, DA1, DA2, TA, SC.

Sin embargo, cambiando el parámetro de configuración de datos de proceso, el usuario puede decidir habilitar también el estado de los parámetros inactivos. De este modo pueden observarse en el sensor varios estados al mismo tiempo.

Byte 0	31	30	29	28	27	26	25	24
	MSB							
Byte 1	23	22	21	20	19	18	17	16
								LSB
Byte 2	15	14	13	12	11	10	9	8
			SC	TA	DA2	DA1	SSC2	SSC1
Byte 3	7	6	5	4	3	2	1	0
							SO2	SO1

4 bytes

Valor analógico 16 ... 31 (16 bits)

2.6.3. Ajuste de la aplicación del sensor

El sensor dispone de 3 ajustes previos en función de la aplicación:

- Rango de escala completa: los puntos de consigna del sensor pueden ajustarse a escala completa, y la velocidad de detección se ajusta al máximo
- Nivel de líquido: debe utilizarse para objetos en movimiento lento con un valor dieléctrico elevado, por ejemplo, para la detección de líquidos de base acuosa. Cuando esta función está seleccionada, los ajustes de programación y del potenciómetro se optimizan a la escala de rango elevado.

En este modo, el Escalador del Filtro se ajusta a 100

- Pellets de plástico: debe utilizarse para objetos en movimiento lento con un valor dieléctrico bajo, por ejemplo, para la detección de pellets de plástico. Cuando esta función está seleccionada, los ajustes de programación y del potenciómetro se optimizan a la escala de rango bajo.

En este modo, el Escalador del Filtro se ajusta a 100.

2.6.4. Umbral de alarma de temperatura

Es posible cambiar la temperatura a la que se activará la alarma de temperatura para la temperatura máxima y mínima. Esto significa que el sensor emitirá una alarma cuando se exceda la temperatura máxima o mínima. Las temperaturas pueden ajustarse entre -50 °C y +150 °C. Los ajustes por defecto de fábrica son de -30 °C como umbral bajo y de +120 °C como umbral alto.

2.6.5. Límites seguros

El sensor cuenta con un margen de seguridad integrado que ayuda a ajustar la detección hasta los puntos de consigna con un margen seguro adicional. Los ajustes de fábrica corresponden a dos veces la histéresis estándar del sensor, p. ej., para un sensor CA18FAN... con una histéresis del 15 %, el margen seguro está ajustado al 30 %.

Este valor puede ajustarse individualmente desde el 0 % hasta el 100 % para SSC1 o SSC2.

2.6.6. Configuración de eventos

Los eventos de temperatura transmitidos a través de la interfaz IO-Link están desactivados por defecto en el sensor. Si el usuario desea obtener información sobre temperaturas críticas detectadas en la aplicación del sensor, este parámetro permite habilitar o deshabilitar los 5 siguientes eventos:

- Evento de fallo de temperatura: el sensor detecta una temperatura fuera del rango de funcionamiento especificado.
- Temperatura excesiva: el sensor detecta una temperatura superior al valor ajustado en el umbral de alarma de temperatura.
- Temperatura insuficiente: el sensor detecta una temperatura inferior al valor ajustado en el umbral de alarma de temperatura.
- Cortocircuito: el sensor detecta si la salida del sensor presenta un cortocircuito.
- Mantenimiento: el sensor detecta si se precisa un mantenimiento de igual forma que si el sensor necesita una limpieza.

2.6.7. Calidad de funcionamiento QoR

El valor de calidad de funcionamiento informa acerca del rendimiento real de detección con relación a los puntos de consigna del sensor; cuanto mayor sea el valor, mejor será la calidad de detección. El valor para QoR puede variar a cualquier valor entre el 0 y el 255 %.

El valor QoR se actualiza para cada ciclo de detección.

En la siguiente tabla puede ver ejemplos de QoR.

Valores de calidad de funcionamiento	Definiciones
> 150 %	Condiciones de detección excelentes. No se prevé que el sensor necesite mantenimiento
100 %	Condiciones de detección buenas. El rendimiento del sensor es tan bueno como el rendimiento en el momento en el que se programaron los puntos de consigna o se ajustaron manualmente con un margen de seguridad equivalente a dos veces la histéresis estándar. <ul style="list-style-type: none"> • Se prevé fiabilidad a largo plazo en todas las condiciones del entorno. • No se prevé necesitar mantenimiento.
50 %	Condiciones de detección medias. <ul style="list-style-type: none"> • Se prevé fiabilidad a corto plazo y la necesidad de mantenimiento debido a las condiciones del entorno. • Cabe esperar una detección fiable con una influencia restringida del entorno.
0 %	Condiciones de detección de pobres a no fiables.

2.6.8. Calidad de programación QoT

La calidad del valor de programación informa acerca de lo bien que se ha llevado a cabo realmente el procedimiento de programación. Corresponde al margen entre los valores de consigna reales y la influencia del entorno en el sensor.

El valor para QoT puede variar a cualquier valor entre el 0 y el 255 %.

El valor QoT se actualiza después de cada procedimiento de programación.

En la siguiente tabla puede ver ejemplos de QoT.

Calidad del valor de programación	Definiciones
> 150 %	Condiciones de programación excelentes. No se prevé que el sensor necesite mantenimiento
100 %	Condiciones de programación buenas. El sensor se ha programado con un margen de seguridad correspondiente a dos veces la histéresis estándar. <ul style="list-style-type: none"> • Se prevé fiabilidad a largo plazo en todas las condiciones del entorno. • No se prevé necesitar mantenimiento.
50 %	Condiciones de programación medias. <ul style="list-style-type: none"> • Se prevé fiabilidad a corto plazo y la necesidad de mantenimiento debido a las condiciones del entorno. • Cabe esperar una detección fiable con una influencia restringida del entorno.
0 %	Resultado de programación deficiente. <ul style="list-style-type: none"> • Cabe esperar condiciones de programación no fiables. (P. ej., margen de medición insuficiente entre el objetivo y el entorno).

2.6.9. Escalador de filtro

Esta función puede incrementar la inmunidad frente a objetivos inestables y perturbaciones electromagnéticas: el valor puede ajustarse de 1 a 255, y el ajuste de fábrica por defecto es 1.

Un ajuste del filtro de 1 equivale a la máxima frecuencia de detección, y un ajuste de 255 a la mínima frecuencia de detección.

2.6.10. Indicación LED

La indicación LED se puede configurar en 3 modos diferentes: Inactiva, Activa o Encontrar mi sensor.

Inactiva: Los LED están siempre apagados

Activa: Los LED siguen el esquema de indicaciones de 5.1.

Encontrar mi sensor: Los LED parpadean alternando 2Hz con ciclo de trabajo 50% para localizar fácilmente el sensor.

2.7. Parámetros de diagnóstico

2.7.1. Horas de funcionamiento

El sensor cuenta con un contador integrado que registra cada hora completa que el sensor ha estado en funcionamiento. El número máximo de horas que pueden registrarse son 2 147 483 647 horas. Este valor puede leerse desde un maestro IO-Link.

2.7.2. Número de ciclos de encendido [ciclos]

El sensor cuenta con un contador integrado que registra cada vez que el sensor se ha encendido. El valor se registra cada hora, y el número máximo de ciclos de encendido que pueden registrarse son 2 147 483 647 ciclos. Este valor puede leerse desde un maestro IO-Link.

2.7.3. Temperatura máxima - siempre alta [°C]

El sensor dispone de una función integrada que registra la máxima temperatura a la que ha estado expuesto el sensor durante el tiempo operativo completo. Este parámetro se actualiza cada hora y puede leerse desde un maestro IO-Link.

2.7.4. Temperatura mínima - siempre baja [°C]

El sensor dispone de una función integrada que registra la temperatura mínima a la que ha estado expuesto el sensor durante el tiempo operativo completo. Este parámetro se actualiza cada hora y puede leerse desde un maestro IO-Link.

2.7.5. Temperatura máxima desde último encendido [°C]

A partir de este parámetro, el usuario puede obtener información sobre cuál ha sido la temperatura máxima registrada desde que se ha encendido el sensor. Este valor no se guarda en el sensor.

2.7.6. Temperatura mínima desde último encendido [°C]

A partir de este parámetro, el usuario puede obtener información sobre cuál ha sido la temperatura mínima registrada desde que se ha encendido el sensor. Este valor no se guarda en el sensor.

2.7.7. Temperatura actual [°C]

A partir de este parámetro, el usuario puede obtener información sobre la temperatura actual del sensor.

2.7.8. Contador de detección [ciclos]

El sensor registra cada vez que el SSC1 cambia de estado. Este parámetro se actualiza cada hora y puede leerse desde un maestro IO-Link.

2.7.9. Minutos por encima de temperatura máxima [min]

El sensor registra durante cuántos minutos el sensor ha estado funcionando por encima de la temperatura máxima del sensor. El número máximo de minutos que pueden registrarse es 2 147 483 647. Este parámetro se actualiza cada hora y puede leerse desde un maestro IO-Link.

2.7.10. Minutos por debajo de temperatura mínima [min]

El sensor registra durante cuántos minutos el sensor ha estado funcionando por debajo de la temperatura mínima del sensor. El número máximo de minutos que pueden registrarse es 2 147 483 647. Este parámetro se actualiza cada hora y puede leerse desde un maestro IO-Link.

2.7.11. Contador de mantenimiento

El sensor registra cuántas veces se ha solicitado mantenimiento al contador de eventos. El número máximo de eventos que pueden registrarse son 2 147 483 647 eventos. Este parámetro se actualiza cada hora y puede leerse desde un maestro IO-Link.

2.7.12. Contador de descarga

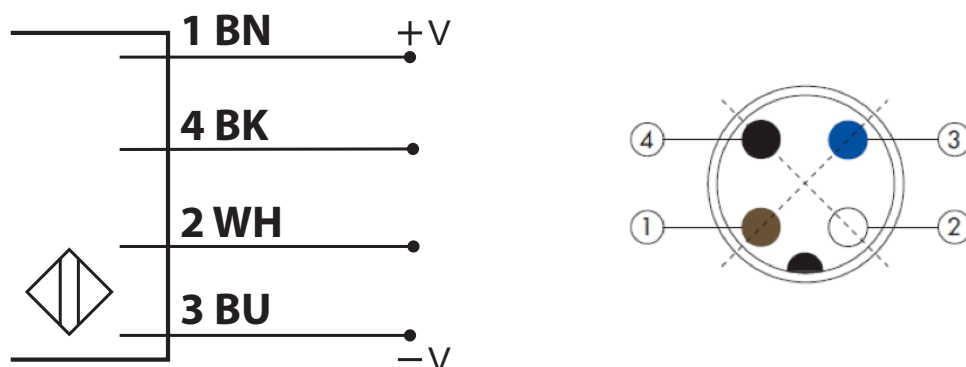
El sensor registra cuántas veces se han cambiado los parámetros en el sensor. El número máximo de eventos que pueden registrarse son 65 536 eventos. Este parámetro se actualiza cada hora y puede leerse desde un maestro IO-Link.

NOTA

La temperatura medida por el sensor será siempre superior a la temperatura ambiente debido al calentamiento interno.

La diferencia entre la temperatura ambiente y la temperatura interna se ve afectada por cómo está montado el sensor en la aplicación. Si el sensor está montado en un soporte metálico, la diferencia será menor a si está montado en uno de plástico.

3. Diagramas de conexión



Terminal	Color	Señal	Descripción
1	Marrón	De 10 a 40 VCC	Suministro del sensor
2	Azul	GND	Tierra
3	Negro	Carga	IO-Link / salida 1 / modo SIO
4	Blanco	Carga	Salida 2 / modo SIO / entrada externa / programación externa

4. Puesta en marcha

50 ms después de encender la alimentación, el sensor está operativo.

Si está conectado a un maestro IO-Link, no son necesarios más ajustes, y la comunicación IO-Link da comienzo automáticamente después de que el maestro IO-Link envíe una solicitud de activación al sensor.

5. Funcionamiento

5.1. Interfaz de usuario de CA18FA...IO y CA30FA... IO

Los sensores CA18FA...IO y CA30FA...IO están equipados con un LED amarillo y con otro verde.

LED verde	LED amarillo	Conexión	Detección
Modo SIO e IO-Link			
ON	ON	ON	ON (estable)* SSC1
ON	OFF	ON	OFF (estable)* SSC1
OFF	ON	-	ON (no estable) SSC1
OFF	OFF	-	OFF (no estable) SSC1
-	Parpadeo a 10 Hz 50 % de ciclo de trabajo	ON	Cortocircuito en salida
-	Parpadeante (0,5 ... 20 Hz)	ON	Indicación de temporizador
Solo modo SIO			
-	Parpadeo a 1 Hz ON 10 % de ciclo de trabajo OFF 90 % de ciclo de trabajo	ON	Programación externa por cable. Solo para el modo de punto único
-	Parpadeo a 1 Hz ON 90 % de ciclo de trabajo OFF 10 % de ciclo de trabajo	ON	Ventana de programación (3-6 s)
-	Parpadeo a 10 Hz ON 50 % de ciclo de trabajo OFF 50 % de ciclo de trabajo Parpadeo durante 2 s	ON	Tiempo de espera de programación (12 s)
-	Parpadeo a 2 Hz ON 50 % de ciclo de trabajo OFF 50 % de ciclo de trabajo Parpadeo durante 2 s	ON	Programación correcta
Solo modo IO-Link			
Parpadeo a 1 Hz Estable: ON 90 % de ciclo de trabajo OFF 10 % de ciclo de trabajo No estable: ON 10 % de ciclo de trabajo OFF 90 % de ciclo de trabajo	-	ON	El sensor está en modo IO-Link
Parpadeo a 2 Hz 50 % de ciclo de trabajo		ON	Encontrar mi sensor

* Posibilidad de deshabilitar los dos LED

6. Archivo IODD y ajuste de fábrica

6.1. Archivo IODD de un dispositivo IO-Link

Todas las funciones, parámetros del dispositivo y valores de ajuste del sensor se recopilan en un archivo denominado descripción del dispositivo E/S (archivo IODD). El archivo IODD es necesario para poder establecer comunicación entre el maestro IO-Link y el sensor. Cada proveedor de un dispositivo IO-Link debe proporcionar dicho archivo y ponerlo a disposición para su descarga en el sitio web. El archivo está comprimido, por lo que es importante descomprimirlo.

El archivo IODD incluye:

- Datos de proceso y diagnóstico
- Descripción de parámetros con el nombre, el rango permitido, el tipo de datos y la dirección (índice y subíndice)
- Propiedades de comunicación incluido el tiempo mínimo de ciclo del dispositivo
- Identidad del dispositivo, número de referencia, imagen del dispositivo y logotipo del fabricante

El archivo IODD está disponible en el sitio web de Carlo Gavazzi: [tdb](#)

6.2. Ajustes de fábrica

Los ajustes predeterminados de fábrica se indican en el Anexo 7 bajo los valores predeterminados.

7. Anexo

7.1. Acrónimos

DA	Alarma de polvo
IntegerT	Integer conectado
OctetStringT	Matriz de octetos
PDV	Variable de datos de proceso
R/W	Lectura y escritura
RO	Solo lectura
SO	Salida de conmutación
SP	Punto de consigna
SSC	Canal de señal de conmutación
StringT	Cadena de caracteres ASCII
TA	Alarma de temperatura
UIntegerT	Integer no conectado
WO	Solo escritura

7.2. Parámetros del dispositivo IO-Link para CA18FA.. y CA30FA..

7.2.1. Parámetros del dispositivo

Nombre del parámetro	Índice, dec (hex)	Acceso	Valor predeterminado	Rango de datos	Tipo de datos	Longitud
Nombre de vendedor	16 (0x10)	RO	Carlo Gavazzi	-	StringT	20 bytes
Texto de vendedor	17 (0x11)	RO	www.gavazziautomation.com	-	StringT	26 bytes
Nombre de producto	18 (0x12)	RO	(Nombre del sensor) p. ej., CA30FAN25BPA210	-	StringT	20 bytes
ID de producto	19 (0x13)	RO	(Código EAN del producto) p. ej., 5709870394046	-	StringT	13 bytes
Texto de producto	20 (0x14)	RO	Sensor de proximidad capacitivo	-	StringT	30 bytes
Número de serie	21 (0x15)	RO	(Número de serie único) p. ej., LR24101830834	-	StringT	13 bytes
Revisión de hardware	22 (0x16)	RO	(Revisión de hardware) p. ej., v01.00	-	StringT	6 bytes
Revisión de firmware	23 (0x17)	RO	(Revisión de software) p. ej., v01.00	-	StringT	6 bytes
Etiqueta específica de aplicación	24 (0x18)	RW	***	Cualquier cadena de hasta 32 caracteres	StringT	Máx. 32 bytes
Etiqueta de función	25 (0x19)	RW	***	Cualquier cadena de hasta 32 caracteres	StringT	Máx. 32 bytes
Etiqueta de ubicación	26 (0x1A)	RW	***	Cualquier cadena de hasta 32 caracteres	StringT	Máx. 32 bytes
Recuento de errores	32 (0x20)	RO	0	0...65 535	IntegerT	16 bits
Estado de dispositivo	36 (0x24)	RO	0 = El dispositivo funciona correctamente	0 = El dispositivo funciona correctamente 1 = Mantenimiento necesario 2 = Fuera de especificación 3 = Comprobación funcional 4 = Fallo	UIntegerT	8 bits
Estado de dispositivo detallado	37 (0x25)		-	-		3 bytes
Fallo de temperatura	-	RO	-	-	OctetStringT	3 bytes
Temperatura excesiva	-	RO	-	-	OctetStringT	3 bytes
Temperatura insuficiente	-	RO	-	-	OctetStringT	3 bytes
Cortocircuito	-	RO	-	-	OctetStringT	3 bytes
Mantenimiento necesario	-	RO	-	-	OctetStringT	3 bytes
Entrada de datos de proceso	40 (0x28)	RO	-	-	IntegerT	32 bits

7.2.2. Parámetros de SSC

Nombre del parámetro	Índice, dec (hex)	Acceso	Valor predeterminado	Rango de datos	Tipo de datos	Longitud
Seleccionar Tech -in	58 (0x3A)	RW	1 = Canal de señal de conmutación 1	0 = Canal por defecto 1 = Canal de señal de conmutación 1 2 = Canal de señal de conmutación 2 255 = Todos los SSC	UIntegerT	8 bits
Resultado Teach in	59 (0x3B)	-	-	-	RecordT	8 bits
Estado Teach in	1 (0x01)	RO	0 = Inactiva	0 = Inactiva 1 = Correcta 4 = Esperando a comando 5 = Ocupada 7 = Error	-	-
Marca SP1 TP1 Teach 1 de punto de consigna 1	2 (0x02)	RO	0 = No OK	0 = No OK 1 = OK	-	-
Marca SP1 TP2 Teach 2 de punto de consigna 1	3 (0x03)	RO	0 = No OK	0 = No OK 1 = OK	-	-
Marca SP2 TP1 Teach 1 de punto de consigna 2	4 (0x04)	RO	0 = No OK	0 = No OK 1 = OK	-	-
Marca SP2 TP2 Teach 2 de punto de consigna 2	5 (0x05)	RO	0 = No OK	0 = No OK 1 = OK	-	-
Parámetro de SSC1 (Canal de señal de conmutación)	60 (0x3C)		-	-	-	-
Punto de consigna 1 (SP1)	1 (0x01)	R/W	1 000	0 ... 10 000	IntegerT	16 bits
Punto de consigna 2 (SP2)	2 (0x02)	R/W	10 000	0 ... 10 000	IntegerT	16 bits
Configuración de SSC1 (Canal de señal de conmutación)	61 (0x3D)	-	-	-	-	-
Lógica de conmutación 1	1 (0x01)	R/W	0 = Alta activa	0 = Alta activa 1 = Baja activa	UIntegerT	8 bits
Modo 1	2 (0x02)	R/W	1 = Modo de punto único	0 = Desactivado 1 = Modo de punto único 2 = Modo de ventana 3 = Modo de punto doble	UIntegerT	8 bits
Histéresis 1	3 (0x03)	R/W	CA18FAF 6 % CA18FAN 15 % CA30FAF 7 % CA30FAN 10 %	1 ... 100	UIntegerT	16 bits
Parámetro de SSC2	62 (0x3E)		-	-	-	-
Punto de consigna 1 (SP1)	1 (0x01)	R/W	1 000	0 ... 10 000	IntegerT	16 bits
Punto de consigna 2 (SP2)	2 (0x02)	R/W	10 000	0 ... 10 000	IntegerT	16 bits
Configuración de SSC2	63 (0x3F)				UIntegerT	8 bits
Lógica de conmutación 2	1 (0x01)	R/W	0 = Alta activa	0 = Alta activa 1 = Baja activa	UIntegerT	8 bits
Modo 2	2 (0x02)	R/W	1 = Modo de punto único	0 = Desactivado 1 = Modo de punto único 2 = Modo de ventana 3 = Modo de punto doble	UIntegerT	8 bits
Histéresis 2	3 (0x03)	R/W	CA18FAF 6 % CA18FAN 15 % CA30FAF 8 % CA30FAN 10 %	1 ... 100	UIntegerT	16 bits

7.2.3. Parámetros de salida

Nombre del parámetro	Índice, dec (hex)	Acceso	Valor predeterminado	Rango de datos	Tipo de datos	Longitud
Canal 1 (S01)	64 (0x40)					
Selección salida 1	1 (0x01)	R/W	1 = Salida PNP	0 = Salida deshabilitada 1 = Salida PNP 2 = Salida NPN 3 = Salida <i>push-pull</i>	UIntegerT	8 bits
Selector de entrada 1	2 (0x02)	R/W	1 = SSC 1	0 = Desactivado 1 = SSC 1 2 = SSC 2 3 = Alarma de polvo 1 (DA1) 4 = Alarma de polvo 2 (DA2) 5 = Alarma de temperatura (TA) 6 = Entrada lógica externa	UIntegerT	8 bits
Temporizador 1 - modo	3 (0x03)	R/W	0 = Temporizador deshabilitado	0 = Temporizador deshabilitado 1 = Retardo a la conexión 2 = Retardo a la desconexión 3 = Retardo conexión/desconexión 4 = Pulso al detectar pieza 5 = Pulso cuando deja de detectar pieza	UIntegerT	8 bits
Temporizador 1 - escala	4 (0x04)	R/W	0 = Milisegundos	0 = Milisegundos 1 = Segundos 2 = Minutos	UIntegerT	8 bits
Temporizador 1 - valor	5 (0x05)	R/W	0	0 a 32 767	IntegerT	16 bits
Función lógica 1	7 (0x07)	R/W	0 = Directa	0 = Directa 1 = AND 2 = OR 3 = XOR 4 = Función Set Reset -Flip Flop	UIntegerT	8 bits
Inversor de salida 1	8 (0x08)	R/W	0 = No invertida (normalmente abierta)	0 = No invertida (normalmente abierta) 1 = Invertida (normalmente cerrada)	UIntegerT	8 bits
Canal 2 (S02)	65 (0x41)					
Selección salida 2	1 (0x01)	R/W	1 = Salida PNP	0 = Salida deshabilitada 1 = Salida PNP 2 = Salida NPN 3 = Salida <i>push-pull</i> 4 = Entrada lógica digital (activa alta/descenso) 5 = Entrada lógica digital (activa baja/ascenso) 6 = Programación (activa alta)	UIntegerT	8 bits
Selector de entrada 2	2 (0x02)	R/W	1 = SSC 1	0 = Desactivado 1 = SSC 1 2 = SSC 2 3 = Alarma de polvo 1 (DA1) 4 = Alarma de polvo 2 (DA2) 5 = Alarma de temperatura (TA) 6 = Entrada lógica externa	UIntegerT	8 bits
Temporizador 2 - modo	3 (0x03)	R/W	0 = Temporizador deshabilitado	0 = Temporizador deshabilitado 1 = Retardo a la conexión 2 = Retardo a la desconexión 3 = Retardo conexión/desconexión 4 = Pulso al detectar pieza 5 = Pulso cuando deja de detectar pieza	UIntegerT	8 bits
Temporizador 2 - escala	4 (0x04)	R/W	0 = Milisegundos	0 = Milisegundos 1 = Segundos 2 = Minutos	UIntegerT	8 bits
Temporizador 2 - valor	5 (0x05)	R/W	0	0 a 32 767	IntegerT	16 bits
Función lógica 2	7 (0x07)	R/W	0 = Directa	0 = Directa 1 = AND 2 = OR 3 = XOR 4 = Función Set Reset -Flip Flop	UIntegerT	8 bits
Inversor de salida 2	8 (0x08)	R/W	1 = Invertida (normalmente cerrada)	0 = No invertida (normalmente abierta) 1 = Invertida (normalmente cerrada)	UIntegerT	8 bits

7.2.4. Parámetros ajustables específicos del sensor

Nombre del parámetro	Índice, dec (hex)	Acceso	Valor predeterminado	Rango de datos	Tipo de datos	Longitud
Selección de ajuste local/remoto	68 (0x44)	RW	1 = Entrada de potenciómetro	0 = Deshabilitado 1 = Entrada de potenciómetro 2 = Teach por cable	UIntegerT	8 bits
Valor de potenciómetro	69 (0x45)	RO		10 ... 10 000		
Configuración de datos de proceso	70 (0x46)	RW			RecordT	16 bits
Valor analógico	1 (0x01)	RW	1 = Valor analógico activo	0 = Valor analógico inactivo 1 = Valor analógico activo		
Salida de conmutación 1	2 (0x02)	RW	1 = Salida de conmutación 1 activa	0 = Salida de conmutación 1 inactiva 1 = Salida de conmutación 1 activa		
Salida de conmutación 2	3 (0x03)	RW	1 = Salida de conmutación 2 activa	0 = Salida de conmutación 2 inactiva 1 = Salida de conmutación 2 activa		
Canal de señal de conmutación 1	4 (0x04)	RW	0 = SSC1 inactivo	0 = SSC1 inactivo 1 = SSC1 activo		
Canal de señal de conmutación 2	5 (0x05)	RW	0 = SSC2 inactivo	0 = SSC2 inactivo 1 = SSC2 activo		
Alarma de polvo 1	6 (0x06)	RW	0 = DA1 inactiva	0 = DA1 inactiva 1 = DA1 activa		
Alarma de polvo 2	7 (0x07)	RW	0 = DA2 inactiva	0 = DA2 inactiva 1 = DA2 activa		
Alarma de temperatura	8 (0x08)	RW	0 = TA inactiva	0 = TA inactiva 1 = TA activa		
Cortocircuito	9 (0x09)	RW	0 = SC inactivo	0 = SC inactivo 1 = SC activo		
Ajuste previo de aplicación del sensor	71 (0x47)	R/W	0 = Rango de escala completa	0 = Rango de escala completa 1 = Nivel de líquido 2 = Granulados de plástico	UIntegerT	8 bits
Umbral de alarma de temperatura	72 (0x48)	R/W			RecordT	30 bit
Umbral alto	1 (0x01)	R/W	120	-50 a 150 [°C]	IntegerT	16 bits
Umbral bajo	2 (0x02)	R/W	- 30	-50 a 150 [°C]	IntegerT	16 bits
Límites seguridad ON/OFF	73 (0x49)	R/W			RecordT	16 bit
SSC 1 - Límite seguridad	1 (0x01)	R/W	2 veces histéresis estándar	0 ... 100	UIntegerT	8 bits
SSC 2 - Límite seguridad	2 (0x02)	R/W	2 veces histéresis estándar	0 ... 100	UIntegerT	8 bits
Configuración de eventos	74 (0x4A)	R/W			RecordT	16 bits
Mantenimiento (0x8C30)	1 (0x01)	R/W	0 = Mantenimiento Notificación - inactiva	0 = Evento de notificación inactivo 1 = Evento de notificación activo		
Evento de fallo de temperatura (0x4000)	2 (0x02)	R/W	0 = Fallo de temperatura Evento de error - inactivo	0 = Evento de error inactivo 1 = Evento de error activo		
Temperatura excesiva (0x4210)	3 (0x03)	R/W	0 = Temperatura excesiva Evento de advertencia - inactivo	0 = Evento de advertencia inactivo 1 = Evento de advertencia activo		
Temperatura por baja (0x4220)	4 (0x04)	R/W	0 = Temperatura por baja Evento de advertencia - inactivo	0 = Evento de advertencia inactivo 1 = Evento de advertencia activo		
Cortocircuito (0x7710)	5 (0x05)	R/W	0 = Cortocircuito Evento de error - inactivo	0 = Evento de error inactivo 1 = Evento de error activo		
Calidad de programación	75 (0x4B)	RO	-	0 ... 255	UIntegerT	8 bits
Calidad de funcionamiento	76 (0x4C)	RO	-	0 ... 255	UIntegerT	8 bits
Escalador de filtro	77 (0x4D)	R/W	1	0 ... 255	UIntegerT	8 bits
Indicación LED	78 (0x4E)	R/W	1 = Indicación LED activa	0 = Indicación LED inactiva 1 = Indicación LED activa 2 = Encontrar mi sensor	UIntegerT	8 bits

7.2.5. Parámetros de diagnóstico

Nombre del parámetro	Índice, dec (hex)	Acceso	Valor predeterminado	Rango de datos	Tipo de datos	Longitud
Horas de funcionamiento	201 (0xC9)	RO	0	0 ... 2 147 483 647 [h]	IntegerT	32 bits
Número de ciclos de encendido	202 (0xCA)	RO	0	0 ... 2 147 483 647	IntegerT	32 bits
Temperatura máxima - siempre alta	203 (0xCB)	RO	0	-50 a 150 [°C]	IntegerT	16 bits
Temperatura mínima - siempre baja	204 (0xCC)	RO	0	-50 a 150 [°C]	IntegerT	16 bits
Temperatura máxima desde último encendido	205 (0xCD)	RO	-	-50 a 150 [°C]	IntegerT	16 bits
Temperatura mínima desde último encendido	206 (0xCE)	RO	-	-50 a 150 [°C]	IntegerT	16 bits
Temperatura actual	207 (0xCF)	RO	-	-50 a 150 [°C]	IntegerT	16 bits
Contador de detección SSC1	210 (0xD2)	RO	-	0 ... 2 147 483 647	IntegerT	32 bits
Minutos por encima de temperatura máxima	211 (0xD3)	RO	-	0 ... 2 147 483 647 [min]	IntegerT	32 bits
Minutos por debajo de temperatura mínima	212 (0xD4)	RO	-	0 ... 2 147 483 647 [min]	IntegerT	32 bits
Contador de evento de mantenimiento	213 (0xD5)	RO	0	0 ... 2 147 483 647	IntegerT	32 bits
Contador de descargas	214 (0xD6)	RO	0	0 ... 65 536	UIntegerT	16 bits



Sensori capacitivi IO-Link

CA18FA, CA30FA

Instruction manual

Betriebsanleitung

Manuel d'instructions

Manual de instrucciones

Manuale d'istruzione

Brugervejledning

使用手册

Carlo Gavazzi Industri Over Hadstenvej 40, 8340 Hadsten, Danimarca

Indice

1. Introduzione	124
1.1 Descrizione	124
1.2 Validità della documentazione	124
1.3 Destinatari della documentazione	124
1.4 Utilizzo del prodotto	124
1.5 Precauzioni di sicurezza	124
1.6 Altri documenti	124
1.7 Acronimi	125
2. Prodotto	126
2.1 Caratteristiche principali	126
2.2 Codice identificativo	126
2.3 Modalità di funzionamento	127
2.3.1 Modalità SIO	127
2.3.2 Modalità IO-Link	127
2.4 Parametri di uscita	128
2.4.1. Parte anteriore del sensore	128
2.4.2. Selettore di ingresso	131
2.4.3. Blocco funzioni logiche	131
2.4.4. Timer (impostabile singolarmente per Out1 e Out2)	133
2.4.5. Invertitore di uscita	136
2.4.6. Modalità stadio di uscita	136
2.5. Procedura Teach	137
2.5.1. Teach esterno (Teach via cavo)	137
2.5.2. Teach via IO-Link Master	137
2.6. Parametri regolabili specifici del sensore	140
2.6.1. Selezione della regolazione locale o in remoto	140
2.6.2. Dati e variabili di processo	140
2.6.3. Impostazione dell'applicazione del sensore	140
2.6.4. Soglia di allarme temperatura	140
2.6.5. Limiti di sicurezza	141
2.6.6. Configurazione degli eventi	141
2.6.7. Qualità di esecuzione QoR	141
2.6.8. Qualità di Teach QoT	142
2.6.9. Scala del filtro	142
2.6.10. Indicatore a LED	142
2.7. Parametri diagnostici	143
3. Schemi di cablaggio	144
4. Messa in funzione	144
5. Funzionamento	145
5.1. Interfaccia utente di CA18FA...IO e CA30FA... IO	145
6. File IODD e impostazione di fabbrica	146
6.1. File IODD di un dispositivo IO-Link	146
6.2. Impostazioni di fabbrica	146
7. Appendice	146
7.1. Acronimi	146
7.2. Parametri dispositivo IO-Link per CA18FA.. e CA30FA...	147
7.2.1. Parametri dispositivo	147
7.2.2. Parametri SSC	148
7.2.3. Parametri di uscita	149
7.2.4. Parametri regolabili specifici del sensore	150
7.2.5. Parametri diagnostici	151
Dimensioni	212
Montaggio	212
Rilevamento di stabilità	213
Consigli per l'installazione	214

1. Introduzione

Questo manuale è una guida di riferimento per i sensori di prossimità capacitivi IO-Link Carlo Gavazzi CA18FA...IO e CA30FA...IO. Descrive come installare, configurare e utilizzare il prodotto per l'uso previsto.

1.1 Descrizione

I sensori capacitivi Carlo Gavazzi sono dispositivi progettati e prodotti in conformità con gli standard internazionali IEC e sono soggetti alle direttive CE Bassa Tensione (2014/35/UE) e Compatibilità elettromagnetica (2014/30/UE).

Tutti i diritti per il presente documento sono riservati a Carlo Gavazzi Industri, e se ne possono fare copie solo per uso interno.

Non esitate a fornire suggerimenti per migliorare questo documento.

1.2 Validità della documentazione

Questo manuale è valido solo per i sensori capacitivi CA18 e CA30 con IO-Link e fino alla pubblicazione di nuova documentazione.

Questo manuale di istruzioni descrive la funzione, il funzionamento e l'installazione del prodotto per l'uso previsto.

1.3 Destinatari della documentazione

Il manuale contiene informazioni importanti per l'installazione e deve essere letto con attenzione e compreso dal personale specializzato che si occupa di questi sensori capacitivi di prossimità.

Si consiglia vivamente di leggere attentamente il manuale prima di installare il sensore. Conservare il manuale per consultarlo in futuro. Il manuale di installazione è destinato a personale tecnico qualificato.

1.4 Utilizzo del prodotto

I sensori di prossimità capacitivi sono dispositivi senza contatto in grado di misurare la posizione e/o il cambiamento di posizione di qualsiasi bersaglio conduttivo. Sono anche in grado di misurare lo spessore o la densità di materiali non conduttivi. I sensori di prossimità capacitivi sono utilizzati in un'ampia varietà di applicazioni, tra cui il processo di stampaggio della plastica, i sistemi di alimentazione per polli e suini, il collaudo delle linee di assemblaggio, i processi di riempimento o svuotamento di oggetti solidi o liquidi.

I sensori CA18FA...IO e CA30FA...IO sono dotati di comunicazione IO-Link. Mediante un master IO-Link è possibile utilizzare e configurare questi dispositivi.

1.5 Precauzioni di sicurezza

Non utilizzare questo sensore in applicazioni in cui la sicurezza personale dipende dal corretto funzionamento del sensore (il sensore non è progettato secondo la Direttiva Macchine UE).

L'installazione e l'utilizzo devono avvenire a cura di personale tecnico qualificato con conoscenze di base sulle installazioni elettriche.

L'installatore è responsabile della corretta installazione secondo le normative locali sulla sicurezza e deve assicurarsi che un sensore difettoso non comporti alcun rischio per persone o apparecchiature. Sostituire il sensore se difettoso e assicurarsi che non ne sia possibile l'uso non autorizzato.

1.6 Altri documenti

È possibile trovare la scheda tecnica, il file IODD e il manuale dei parametri IO-Link su Internet all'indirizzo <http://gavazziautomation.com>

1.7 Acronimi

I/O	Ingresso/uscita
PD	Dati di processo
PLC	Controller logico programmabile
SIO	Ingresso/uscita standard
SP	Setpoint (valori di riferimento)
IODD	Descrizione dispositivo I/O
IEC	International Electrotechnical Commission (Commissione Elettrotecnica Internazionale)
NO	Contatto normalmente aperto
NC	Contatto normalmente chiuso
NPN	Pilotare il carico a terra
PNP	Pilotare il carico su V+
Push-Pull	Pilotare il carico a terra o su V+
QoR	Quality of Run (Qualità di esecuzione)
QoT	Quality of Teach (Qualità di Teach)
UART	Universal Asynchronous Receiver-Transmitter (Ricevitore-trasmittitore asincrono universale)
SO	Uscita di commutazione
SSC	Canale del segnale di commutazione

2. Prodotto

2.1 Caratteristiche principali

Nuovi sensori Carlo Gavazzi Tripleshiels di quarta generazione DC a 4 fili IO-Link, realizzati secondo i più elevati standard di qualità, sono disponibili in due diverse dimensioni della custodia.

- CA18FA.. Custodia cilindrica con corpo filettato M18 in PTFE per installazione a filo o sporgente con connettore M12, 4 poli oppure cavo in PVC da 2 metri.
- CA30FA.. Custodia cilindrica con corpo filettato M30 in PTFE per installazione a filo o sporgente con connettore M12, 4 poli oppure cavo in PVC da 2 metri.

Possono operare in modalità I/O standard (SIO), che è la modalità di funzionamento predefinita. Quando collegati a un master IO-Link, passano automaticamente alla modalità IO-Link e possono essere gestiti e configurati facilmente in remoto.

Grazie alla loro interfaccia IO-Link questi dispositivi sono molto più intelligenti e dispongono di molte opzioni di configurazione aggiuntive, come l'impostazione della distanza di rilevamento e dell'isteresi nonché funzioni temporizzate dell'uscita. Funzionalità avanzate come il blocco funzioni logiche e la possibilità di convertire un'uscita in un ingresso esterno rendono il sensore altamente flessibile per la risoluzione di compiti di rilevamento decentralizzati.

2.2 Codice identificativo

Codice	Opzione	Descrizione
C	-	Principio di attivazione: sensore capacitivo
A	-	Custodia cilindrica con corpo filettato
<input type="checkbox"/>	18	Custodia M18
	30	Custodia M30
F	-	Custodia in PTFE
A	-	Rilevamento assiale
<input type="checkbox"/>	F	Installazione a filo
	N	Installazione sporgente
<input type="checkbox"/>	08	Distanza di rilevamento 8 mm (per CA18...)
	12	Distanza di rilevamento 12 mm (per CA18...)
	16	Distanza di rilevamento 16 mm (per CA30...)
	25	Distanza di rilevamento 25 mm (per CA30...)
B	-	Funzioni selezionabili: NPN, PNP, Push-Pull, ingresso esterno (solo pin 2), ingresso Teach esterno (solo pin 2)
P	-	Selezionabile: NO o NC
<input type="checkbox"/>	A2	Cavo in PVC da 2 metri
	M1	Connettore M12, 4 poli
IO	-	Versione IO-Link

Si possono utilizzare caratteri aggiuntivi per versioni personalizzate.

2.3 Modalità di funzionamento

I sensori capacitivi IO-Link sono dotati di due uscite di commutazione (SO) e possono funzionare in due modalità differenti: modalità SIO (modalità I/O standard) o modalità IO-Link.

2.3.1 Modalità SIO

Quando il sensore funziona in modalità SIO (impostazione predefinita), non è necessario un master IO-Link. Il dispositivo funziona come un sensore capacitivo standard e può essere azionato tramite un dispositivo fieldbus o un controller (per esempio un PLC) quando collegato ai relativi ingressi digitali PNP, NPN o push-pull (porta I/O standard). Uno dei maggiori vantaggi di questi sensori capacitivi è la possibilità di configurarli tramite un master IO-Link così che, una volta disconnessi, manterranno gli ultimi parametri e le impostazioni di configurazione. In questo modo è possibile, per esempio, configurare le uscite del sensore singolarmente come PNP, NPN o push-pull oppure aggiungere funzioni temporizzate come ritardi T-on e T-off o funzioni logiche e quindi soddisfare più requisiti applicativi con lo stesso sensore.

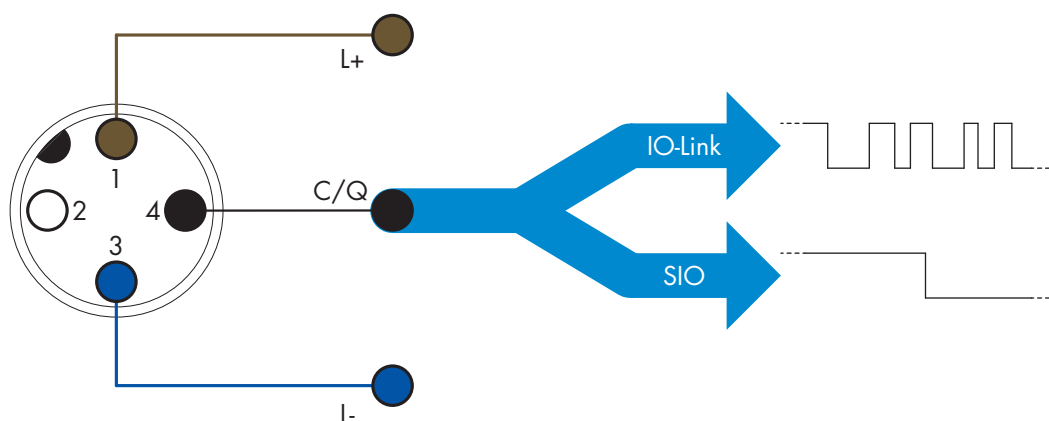
2.3.2 Modalità IO-Link

IO-Link è una tecnologia IO standardizzata riconosciuta in tutto il mondo come standard internazionale (IEC 61131-9).

Oggi è considerata come "l'interfaccia USB" per sensori e attuatori in ambiente di automazione industriale.

Quando il sensore è collegato a una porta IO-Link, il master IO-Link invia una richiesta di sveglia (impulso di sveglia) al sensore, che passa automaticamente alla modalità IO-Link: si avvia quindi la comunicazione bidirezionale point-to-point tra master e sensore.

La comunicazione IO-Link richiede solo un cavo standard non schermato a 3 fili con una lunghezza massima di 20 m.



La comunicazione IO-Link avviene con una modulazione degli impulsi a 24 V, protocollo UART standard tramite il cavo di commutazione e comunicazione (stato di commutazione combinato e canale dati C/Q) a 4 pin o cavo nero.

Per esempio un connettore maschio M12 a 4 pin ha:

- Alimentazione positiva: pin 1, marrone
- Alimentazione negativa: pin 3, blu
- Uscita digitale 1: pin 4, nero
- Uscita digitale 2: pin 2, bianco

La velocità di trasmissione dei sensori CA18FA...IO o CA30FA...IO è 38,4 kBaud (COM2).

Una volta collegato alla porta IO-Link, il master ha accesso remoto a tutti i parametri del sensore e alle funzionalità avanzate, consentendo di modificare le impostazioni e la configurazione durante il funzionamento e abilitando funzioni diagnostiche, quali avvisi di temperatura, allarmi di temperatura e dati di processo.

Grazie a IO-Link è possibile visualizzare le informazioni del produttore e il codice (dati di servizio) del dispositivo collegato, a partire da V1.1. Grazie alla funzione di archiviazione dei dati è possibile sostituire il dispositivo e disporre automaticamente di tutte le informazioni memorizzate nel vecchio dispositivo trasferite nell'unità sostitutiva.

L'accesso ai parametri interni consente all'utilizzatore di vedere la prestazione in corso del sensore, per esempio leggendo la temperatura interna.

Dati evento consente all'utilizzatore di ottenere informazioni diagnostiche come errori, allarmi, avvisi o problemi di comunicazione.

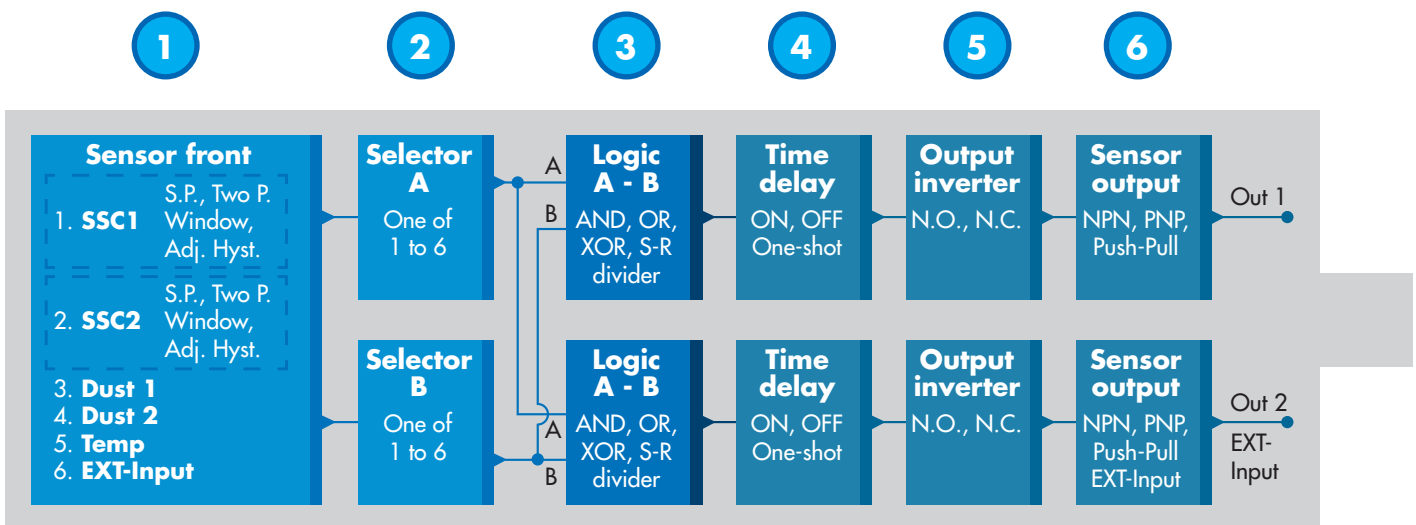
Tra il sensore e il master esistono due diversi tipi di comunicazione indipendenti l'uno dall'altro:

- Ciclica per dati di processo e stato del valore – questi dati vengono scambiati ciclicamente.
- Aciclica per configurazione dei parametri, dati di identificazione, informazioni diagnostiche ed eventi (p.es. messaggi di errore o avvisi) – questi dati possono essere scambiati su richiesta.

2.4 Parametri di uscita

Il sensore misura cinque diversi valori fisici. Questi valori possono essere regolati indipendentemente e utilizzati come fonte per l'uscita di commutazione 1 o 2. In aggiunta a questi è possibile selezionare un ingresso esterno per SO₂. Dopo aver selezionato una di queste fonti, è possibile configurare l'uscita del sensore con un master IO-Link, seguendo i sei passaggi mostrati nella seguente impostazione dell'uscita di commutazione.

Una volta che il sensore sia stato scollegato dal master, passerà alla modalità SIO mantenendo l'ultima impostazione di configurazione.



1

2.4.1. Parte anteriore del sensore

Quando un oggetto, solido o liquido, si avvicina alla faccia del sensore, la capacità del circuito di rilevamento viene influenzata e l'uscita del sensore cambia il suo stato.

2.4.1.1. Canale del segnale di commutazione (SSC, Switching Signal Channel)

Per il rilevamento di presenza (o assenza di presenza) di un oggetto davanti alla faccia del sensore sono disponibili le seguenti impostazioni: SSC1 o SSC2.

I setpoint possono essere impostati da 0 a 10.000 unità, che rappresentano il cambiamento di capacità del circuito di rilevamento. Più alto è il valore, più vicino alla superficie sensibile del sensore apparirà il bersaglio, valore che inoltre aumenterà quanto più alto sia il valore dielettrico del bersaglio. Un bersaglio di metallo, per esempio, avrà un valore dielettrico più alto di un bersaglio di plastica.

2.4.1.2. Modalità del punto di commutazione:

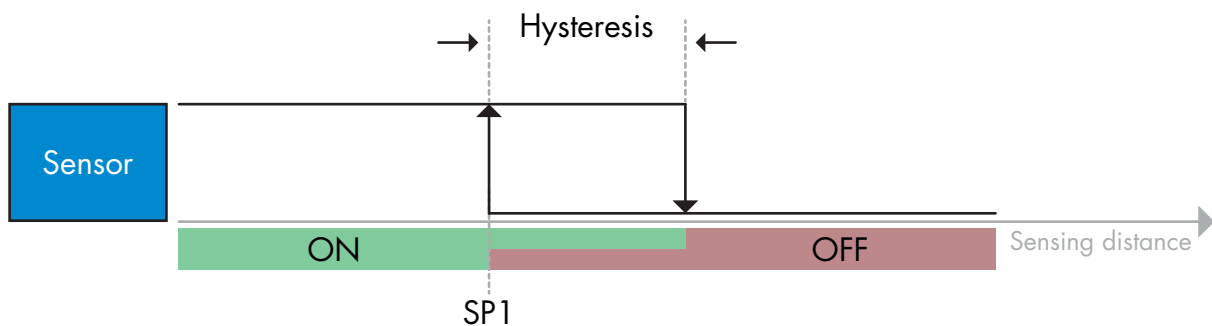
Si può utilizzare l'impostazione della modalità del punto di commutazione per creare un comportamento di uscita più avanzato. È possibile selezionare le seguenti modalità del punto di commutazione per il comportamento di commutazione di SSC1 e SSC2.

Disabilitato

SSC1 o SSC2 possono essere disabilitati singolarmente, ma disabiliteranno anche l'uscita se questa è selezionata nel selettore di ingresso (il valore logico sarà sempre "0").

Modalità a punto singolo

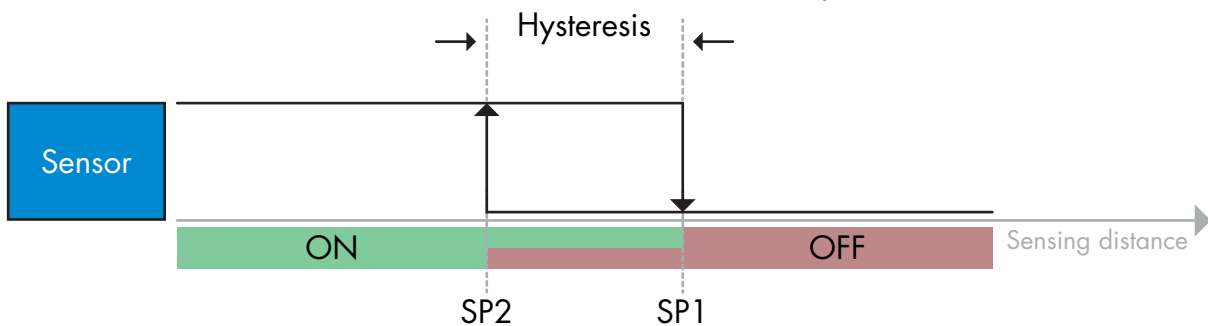
Le informazioni di commutazione cambiano quando il valore di misurazione supera la soglia definita nel setpoint SP1 con valori di misurazione in aumento o in diminuzione, prendendo in considerazione l'isteresi.



Esempio di rilevamento di presenza – con logica non invertita

Modalità a punto doppio

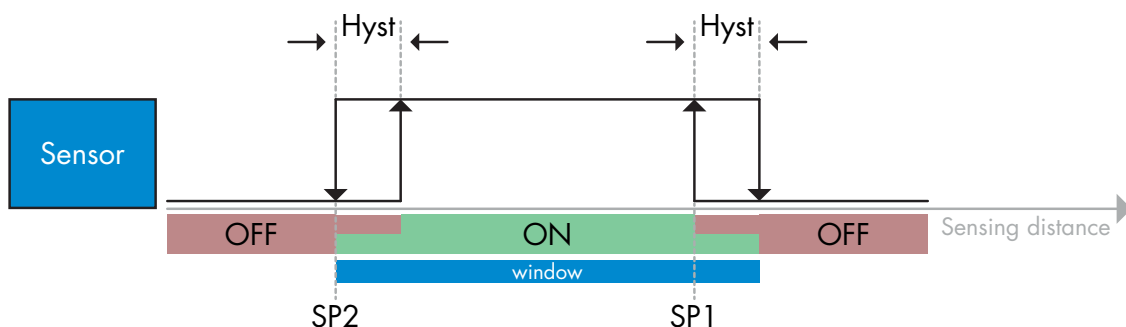
Le informazioni di commutazione cambiano quando il valore di misurazione supera la soglia definita nel setpoint SP1. Questo cambiamento si verifica solo con i valori di misurazione in aumento. Le informazioni di commutazione cambiano anche quando il valore di misurazione supera la soglia definita nel setpoint SP2. Questo cambiamento si verifica solo con i valori di misurazione in diminuzione. Non si tiene conto dell'isteresi in questo caso.



Esempio di rilevamento di presenza – con logica non invertita

Modalità finestra

Le informazioni di commutazione cambiano quando il valore di misurazione supera le soglie definite nel setpoint SP1 e nel setpoint SP2 con valori di misurazione in aumento o in diminuzione, prendendo in considerazione l'isteresi.



Esempio di rilevamento di presenza – con logica non invertita

2.4.1.3. Impostazioni dell'isteresi

In SSC1 e in SSC2, sia in modalità a punto singolo che in modalità finestra, l'isteresi può essere impostata tra 1 e 100% del valore di commutazione effettivo. Le impostazioni standard dipendono dal tipo di rilevamento:

CA18FAF...	4%
CA18FAN...	15%
CA30FAF...	5%
CA30FAN...	10%

($SP2 + \text{isteresi} < SP1$) e ($SP1 + \text{isteresi} < \text{limite superiore della distanza di attivazione}$).

Informazione

Generalmente si utilizza un'isteresi estesa per risolvere problemi di vibrazione o di compatibilità elettromagnetica nell'applicazione.

2.4.1.4. Allarme polvere 1 e allarme polvere 2

È possibile impostare il limite di sicurezza tra quando l'uscita di rilevamento sta commutando e il valore in cui il sensore può rilevare in sicurezza anche con un leggero accumulo di polvere.

Vedere 2.6.5 Limiti di sicurezza.

2.4.1.5. Allarme di temperatura (TA)

Il sensore monitora costantemente la temperatura interna della parte anteriore del sensore. Impostando l'allarme di temperatura è possibile ricevere un allarme dal sensore se vengono superate le soglie di temperatura. Vedere 2.6.4

L'allarme di temperatura ha due valori separati, uno per impostare la temperatura massima e uno per impostare la temperatura minima.

È possibile leggere la temperatura del sensore tramite i dati aciclici dei parametri IO-Link.

NOTA!

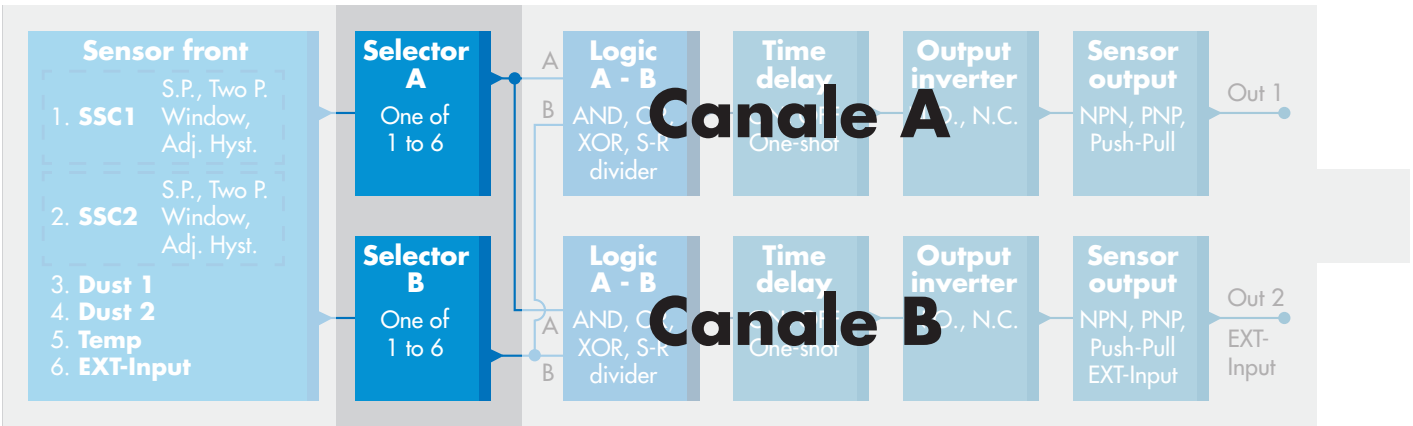
La temperatura misurata dal sensore sarà sempre superiore alla temperatura ambiente, a causa del riscaldamento interno.

La differenza tra temperatura ambiente e temperatura interna è influenzata dal modo in cui il sensore viene installato nell'applicazione. Se il sensore è installato su una staffa metallica, la differenza sarà inferiore rispetto a quando il sensore è montato su una di plastica.

2.4.1.6. Ingresso esterno

L'uscita 2 (SO2) si può configurare come un ingresso esterno che consente l'ingresso di segnali esterni nel sensore e che potrà provenire da un secondo sensore o da un PLC o direttamente dall'uscita della macchina.

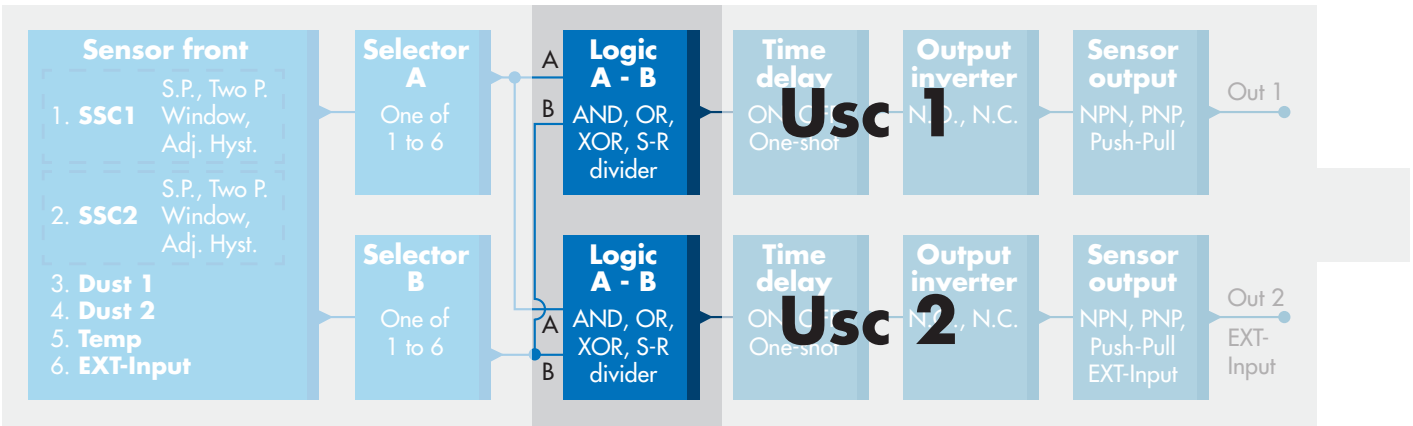
2



2.4.2. Selettore di ingresso

Questa funzione di blocco consente all'utente di selezionare uno qualsiasi dei segnali dalla "parte anteriore del sensore" per il canale A o B.
 Canale A e B: può selezionare tra SSC1, SSC2, Polvere 1, Polvere 2, allarme di temperatura e ingresso esterno.

3

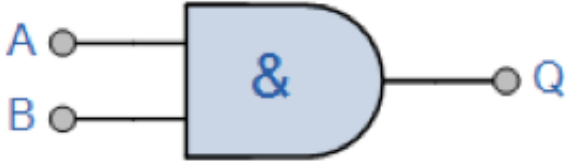


2.4.3. Blocco funzioni logiche

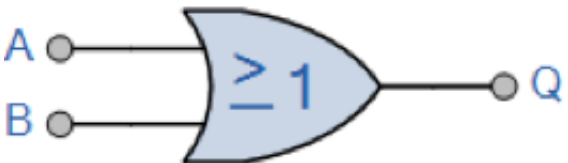
Nel blocco funzioni logiche ai segnali selezionati dal selettore di ingresso può essere aggiunta direttamente una funzione logica senza utilizzare un PLC, rendendo quindi possibili delle decisioni decentrate.

Le funzioni logiche disponibili sono: AND, OR, XOR, SR-FF.


Funzione AND

Simbolo	Tabella della verità		
 <p>Ingresso 2 AND cancello</p>	A	B	Q
	0	0	0
	0	1	0
	1	0	0
	1	1	1
Espressione booleana Q = A.B	Leggi come A AND B dà Q		

Funzione OR

Simbolo	Tabella della verità		
 <p>Ingresso 2 OR cancello</p>	A	B	Q
	0	0	0
	0	1	1
	1	0	1
	1	1	1
Espressione booleana Q = A + B	Leggi come A OR B dà Q		

Funzione XOR

Simbolo	Tabella della verità		
 <p>Ingresso 2 XOR cancello</p>	A	B	Q
	0	0	0
	0	1	1
	Ingresso 2 OR cancello		1
	1	1	0
Espressione booleana Q = A ⊕ B	A OR B ma NON ENTRAMBI dà Q		

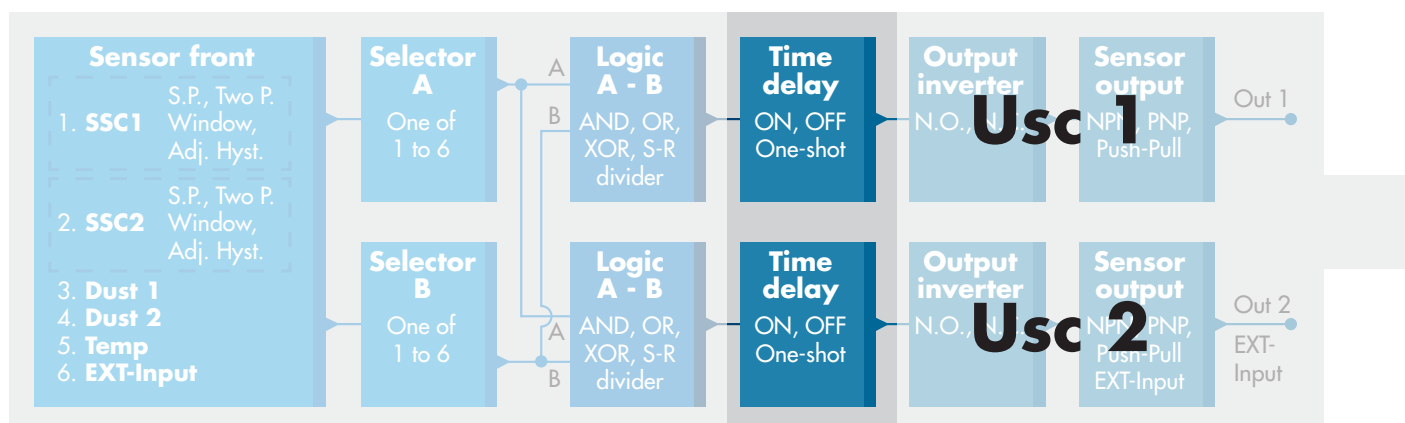
Funzione "Gated SR-FF"

Questa funzione è progettata, ad esempio, come funzione di riempimento o svuotamento utilizzando solo due sensori interconnessi

Simbolo	Tabella della verità		
	A	B	Q
	0	0	0
	0	1	X
	1	0	X
	1	1	1

X – nessuna modifica all'uscita.

4



2.4.4. Timer (impostabile singolarmente per Out1 e Out2)

Il Timer consente all'utente di introdurre diverse funzioni temporizzate modificando i 3 parametri del timer:

- Modalità del timer
- Scala del timer
- Valore del timer

2.4.4.1. Modalità del timer

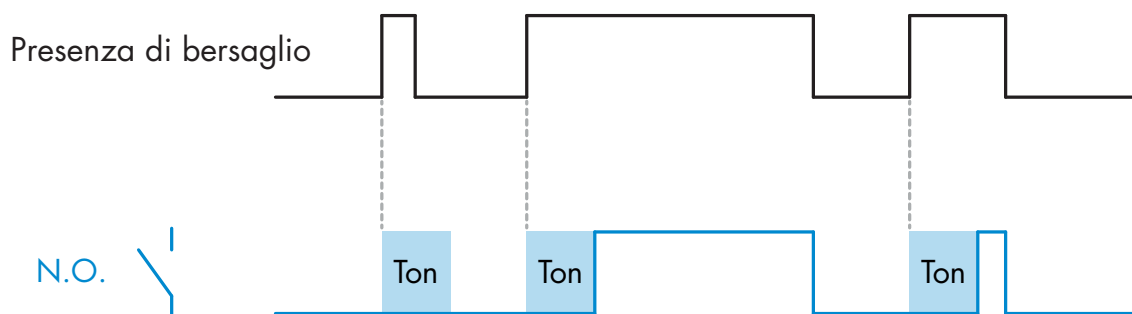
Seleziona quale tipo di funzione temporizzata viene introdotto sull'uscita di commutazione. È disponibile una qualsiasi delle seguenti possibilità:

2.4.4.1.1. Disabilitato

Questa opzione disabilita la funzione del timer indipendentemente dall'impostazione della scala del timer e del ritardo del timer.

2.4.4.1.2. Ritardo all'attivazione (T-on)

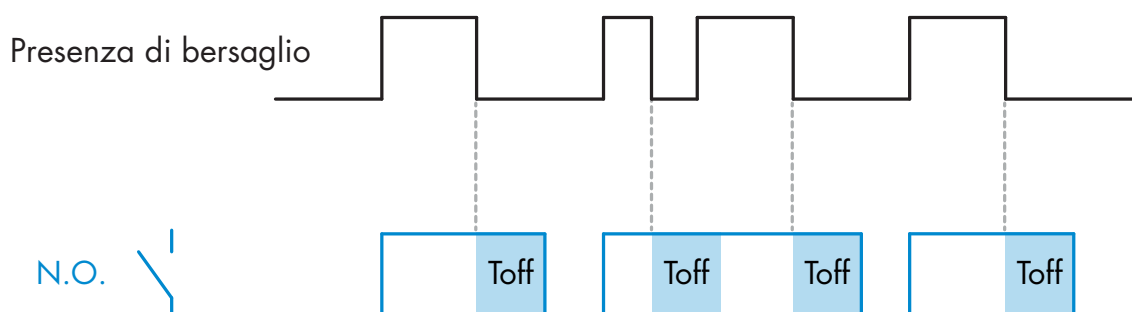
L'attivazione dell'uscita di commutazione viene generata dopo l'effettivo azionamento del sensore, come mostrato nella figura seguente.



Esempio con uscita normalmente aperta

2.4.4.1.3. Ritardo alla disattivazione (T-off)

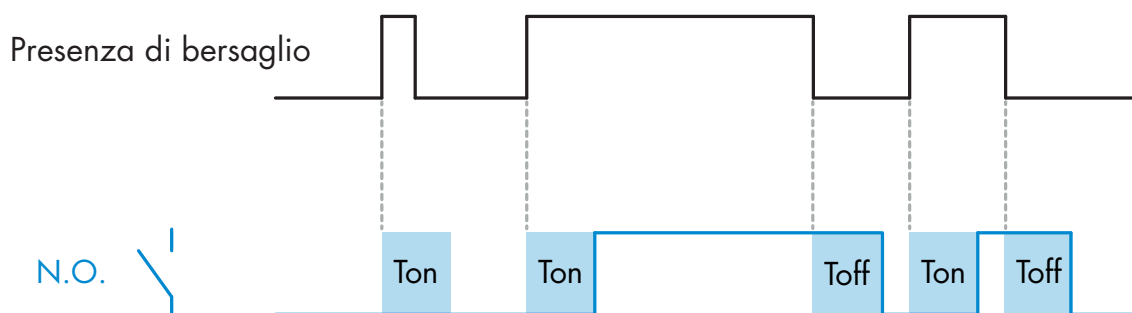
La disattivazione dell'uscita di commutazione è ritardata rispetto al tempo di rimozione del bersaglio nella parte anteriore del sensore, come mostrato nella figura seguente.



Esempio con uscita normalmente aperta

2.4.4.1.4. Ritardo all'attivazione e alla disattivazione (T-on e T-off)

Se selezionati, i ritardi T-on e T-off vengono applicati alla generazione dell'uscita di commutazione.



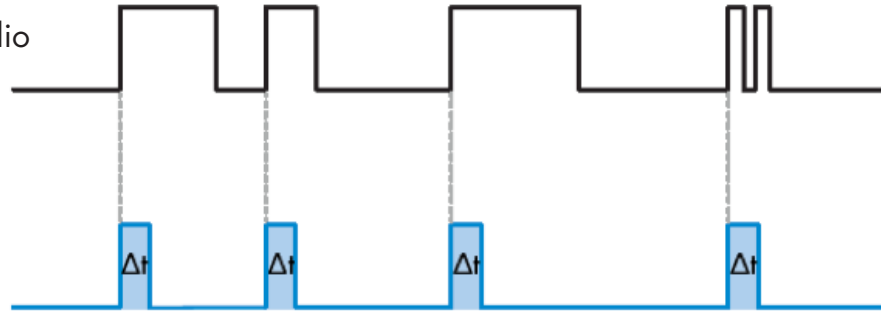
Esempio con uscita normalmente aperta

2.4.4.1.5. One shot bordo di entrata

Ogni volta che viene rilevato un bersaglio davanti al sensore, l'uscita di commutazione genera un impulso di lunghezza costante sul bordo di entrata del rilevamento. Vedere la figura seguente.

Presenza di bersaglio

N.O.



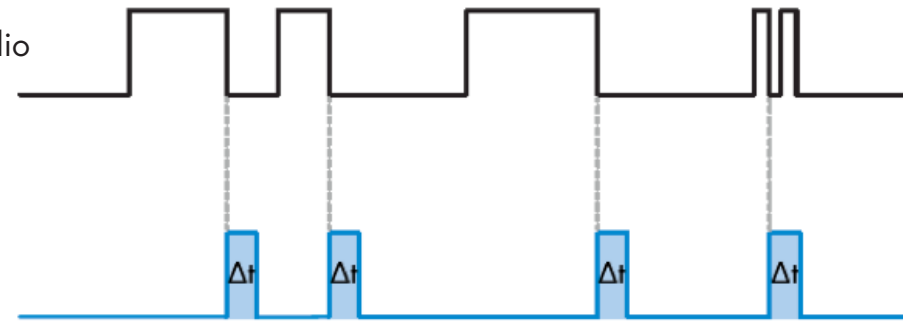
Esempio con uscita normalmente aperta

2.4.4.1.6. One shot bordo di uscita

Simile come funzione alla modalità one shot bordo di entrata, ma in questa modalità l'uscita di commutazione viene modificata sul bordo di uscita dell'attivazione, come mostrato nella figura seguente.

Presenza di bersaglio

N.O.



Esempio con uscita normalmente aperta

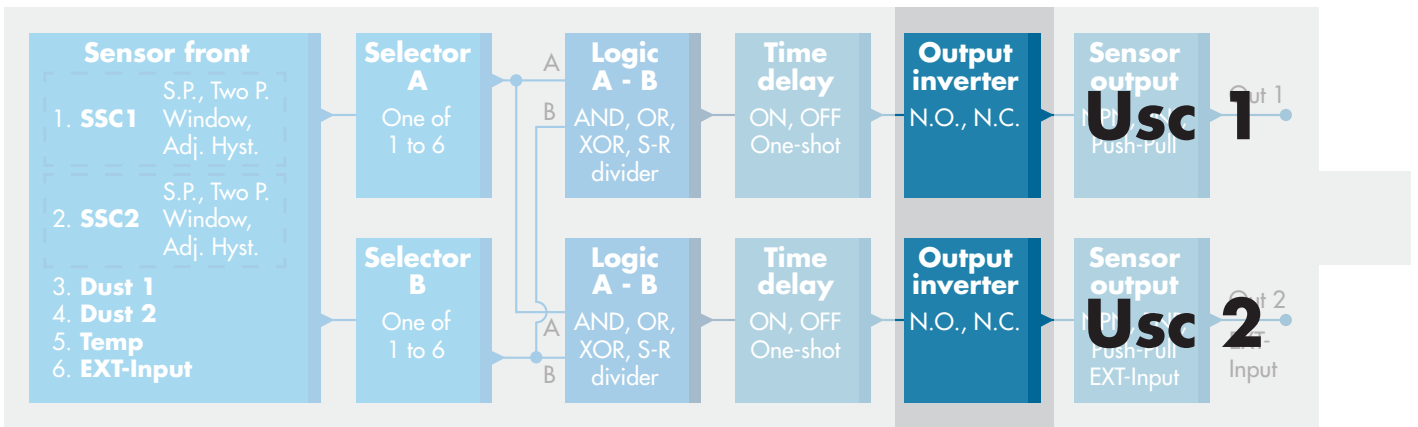
2.4.4.1.7. Scala del timer

Questo parametro definisce se il ritardo specificato nel ritardo del timer deve essere espresso in millisecondi, secondi o minuti.

2.4.4.1.8. Valore del timer

Questo parametro definisce la durata effettiva del ritardo. Il ritardo può essere impostato su qualsiasi valore intero compreso tra 1 e 32.767.

5



2.4.5. Invertitore di uscita

Questa funzione consente all'utilizzatore di invertire il funzionamento dell'uscita di commutazione tra Normalmente aperto e Normalmente chiuso.

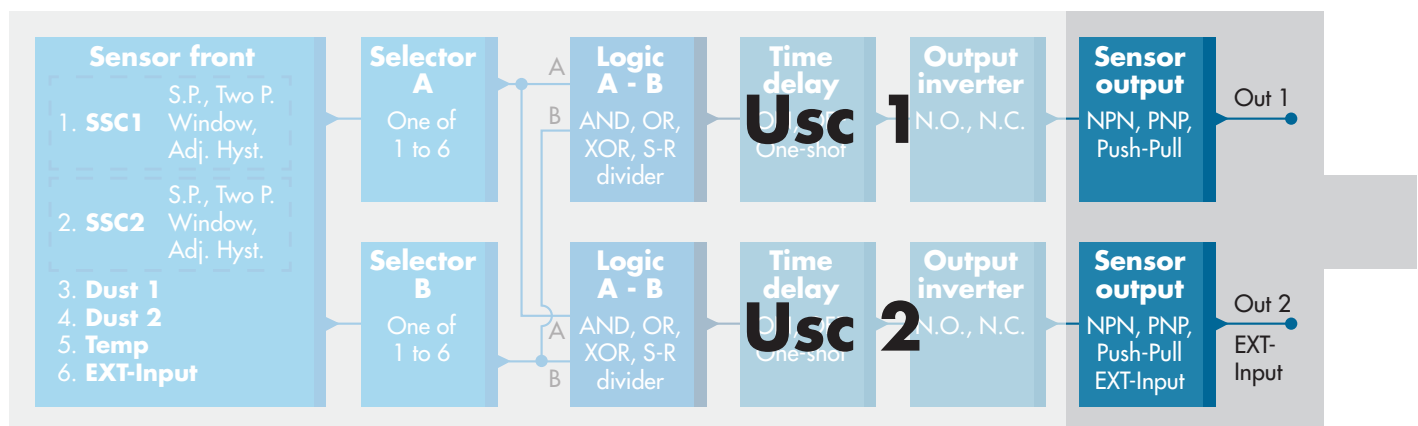
FUNZIONE RACCOMANDATA!

La funzione consigliata si trova nei parametri sotto 64 (0x40) sub index 8 (0x08) per SO1 e sotto 65 (0x41) sub index 8 (0x08) per SO2 e non ha alcuna influenza negativa sulle funzioni logiche o sulle funzioni temporizzate del sensore, in quanto viene aggiunta dopo quelle funzioni.

ATTENZIONE!

Della funzione logica di commutazione sotto 61 (0x3D) sub index 1 (0x01) per SSC1 e 63 (0x3F) sub index 1 (0x01) per SSC2 si sconsiglia l'uso in quanto ha un'influenza negativa sulle funzioni logiche o temporizzate. Così ad esempio l'uso di questa funzione trasformerà un ritardo di attivazione in un ritardo di disattivazione poiché viene aggiunta per SSC1 e SSC2 e non solo per SO1 e SO2.

6



2.4.6. Modalità stadio di uscita

In questo blocco funzioni l'utilizzatore può selezionare se le uscite di commutazione devono funzionare come:

- SO1: Disabilitato, configurazione NPN, PNP o Push-Pull.
- SO2: Disabilitato, NPN, PNP, Push-Pull, ingresso esterno (attivo alto/Pull-down), ingresso esterno (attivo basso/Pull-up) o ingresso Teach esterno.

2.5. Procedura Teach

2.5.1. Teach esterno (Teach via cavo)

NB! Questa funzione opera in modalità a punto singolo e solo per SP1 in SSC1.

Bisogna prima impostare Teach via cavo utilizzando un master IO-link:

- Selezionare: "2=Teach via cavo" nella selezione dei parametri di regolazione locale/in remoto 68 (0x44).
- Selezionare: "1=Modalità a punto singolo" è già selezionato in "Configurazione SSC1" 61(0x3D), "Modalità 1" 2(0x02), (questo valore dovrebbe già essere impostato come predefinito).
- Selezionare: 6=Teach-In (attivo alto) in Canale 2 (SO2) 65 (0x41) sub index 1 (0x01).

Procedura Teach via cavo.

- Posizionare il bersaglio davanti al sensore e collegare l'ingresso Teach via cavo (cavo bianco pin 2) a V+ (cavo marrone pin 1). Il LED giallo lampeggerà con 1Hz (ON 100mS e OFF 900 mS).
- Scollegare il cavo entro 3 o 6 secondi, il LED giallo lampeggia con 1Hz (ON 900 mS e OFF 100 mS).
- Dopo aver eseguito correttamente la procedura Teach, il LED giallo lampeggerà con 2 Hz (ON 250 mS e OFF 250 mS).

NB! Se la procedura Teach procedure deve essere annullata, non rimuovere il cavo dopo 3 o 6 secondi ma mantenere la connessione per 12 secondi finché il LED giallo non lampeggia con 10 Hz (ON 50 mS e off 50 mS).

2.5.2. Teach via IO-Link Master

- Per abilitare la procedura Teach dal master IO-Link disabilitare prima la regolazione del potenziometro:

Selezionare: "0=Disabilitato" nella selezione dei parametri di regolazione locale/in remoto 68 (0x44).

- I singoli comandi del team possono essere scritti in index 2.

2.5.2.1. Procedura con modalità a punto singolo

Selezionare il canale di commutazione da apprendere

- Selezionare: 1=SSC1 o 2=SSC2 in "Seleziona Teach-in" 58(0x3A) o 255 = Tutti SSC.

- Modificare l'isteresi se richiesto per SSC1 o SSC2.

- "Configurazione SSC1" 61(0x3D) "Isteresi" 3(0x03).

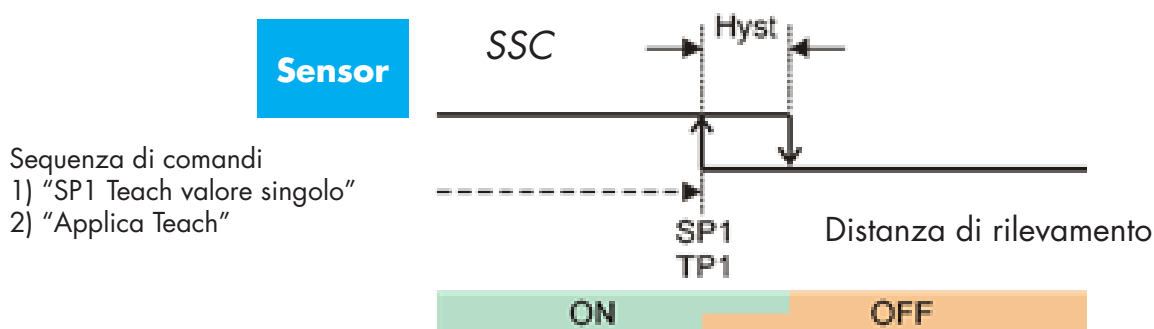
- "Configurazione SSC2" 62(0x3E) "Isteresi" 3(0x03).

NB! Non è consigliabile modificare l'isteresi al di sotto dei valori indicati nell'elenco dei parametri SSC.

1) Sequenza di comandi Teach a valore singolo:

#65 "SP1 Teach valore singolo"

#64 "Applica Teach" (comando opzionale)

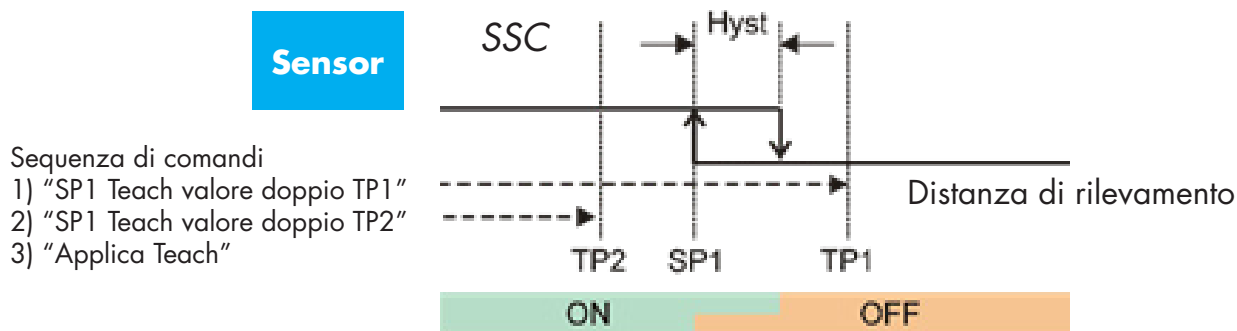


2) Sequenza di comandi Teach dinamico

- #71 "SP1 avvio Teach dinamico"
- #72 "SP1 stop Teach dinamico"
- #64 "Applica Teach" (comando opzionale)

3) Sequenza di comandi Teach a valore doppio

- #67 "SP1 Teach valore doppio TP1"
- #68 "SP1 Teach valore doppio TP2"
- #64 "Applica Teach" (comando opzionale)

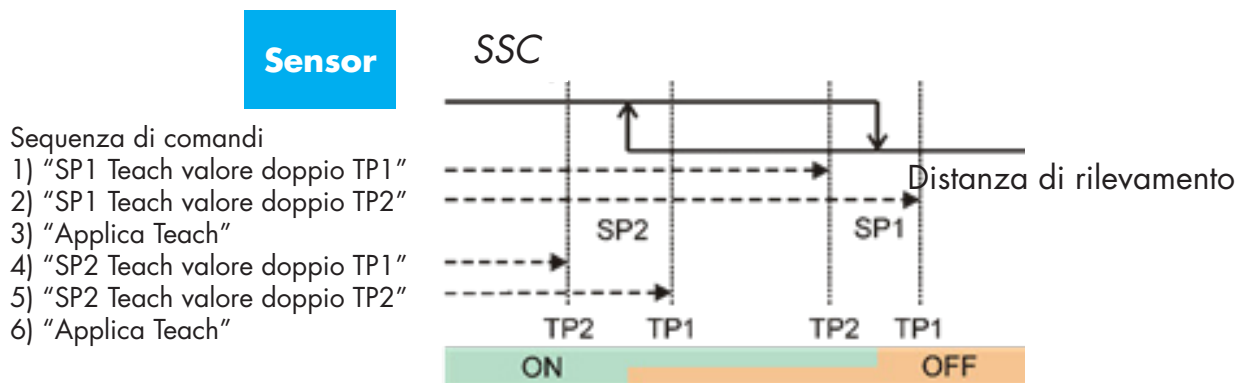


2.5.2.2. Procedura con modalità a punto doppio

1) Sequenza di comandi Teach a valore doppio:

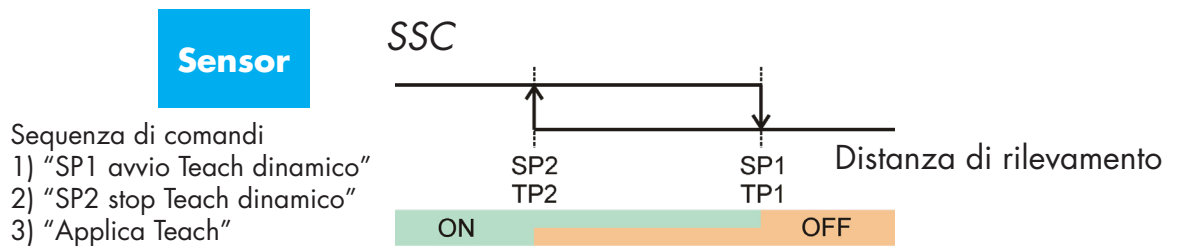
- #67 "SP1 Teach valore doppio TP1"
- #68 "SP1 Teach valore doppio TP2"
- #64 "Applica Teach" (comando opzionale)

- #69 "SP2 Teach valore doppio TP1"
- #70 "SP2 Teach valore doppio TP2"
- #64 "Applica Teach" (comando opzionale)



2) Sequenza di comandi Teach dinamico:

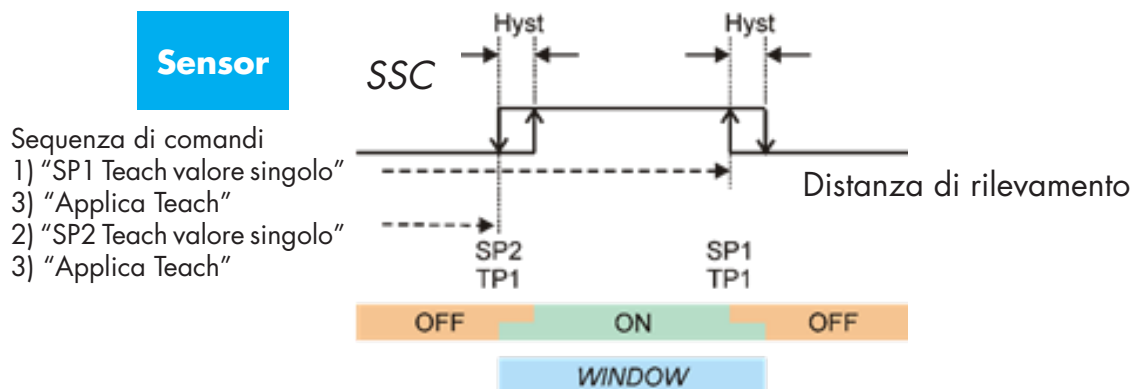
- #71 "SP1 avvio Teach dinamico"
- #72 "SP1 stop Teach dinamico"
- #73 "SP2 avvio Teach dinamico"
- #74 "SP2 stop Teach dinamico"
- #64 "Applica Teach" (comando opzionale)



2.5.2.3. Procedura con modalità finestra

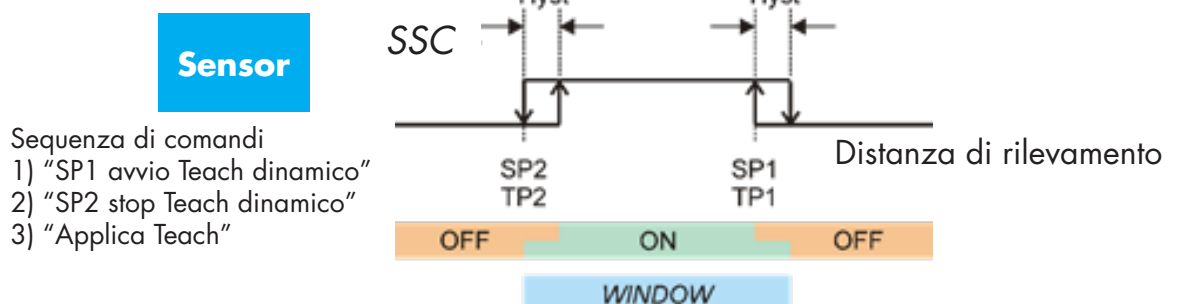
1) Sequenza di comandi Teach a valore singolo:

- #65 "SP1 Teach valore singolo"
- #66 "SP2 Teach valore singolo"
- #64 "Applica Teach" (comando opzionale)



2) Sequenza di comandi Teach dinamico:

- #71 "SP1 avvio Teach dinamico"
- #72 "SP1 stop Teach dinamico"
- #73 "SP2 avvio Teach dinamico"
- #74 "SP2 stop Teach dinamico"
- #64 "Applica Teach" (comando opzionale)



2.6. Parametri regolabili specifici del sensore

Oltre ai parametri direttamente correlati alla configurazione dell'uscita, il sensore ha anche vari parametri interni utili per l'impostazione e la diagnostica.

2.6.1. Selezione della regolazione locale o in remoto

È possibile selezionare come impostare la distanza di rilevamento selezionando la regolazione del potenziometro, Teach via cavo utilizzando l'ingresso esterno del sensore o disabilitare il potenziometro per far sì che il sensore sia a prova di manomissione.

2.6.2. Dati e variabili di processo

Quando il sensore viene utilizzato in modalità IO-Link, l'utilizzatore ha accesso ai dati e variabili ciclici di processo.

Per impostazione predefinita i dati di processo mostrano i seguenti parametri come attivi: valore analogico 16 bit, uscita di commutazione 1 (SO1) e uscita di commutazione 2 (SO2).

I seguenti parametri sono impostati come non attivi: SSC1, SSC2, DA1, DA2, TA, SC.

Modificando tuttavia il parametro di configurazione dei dati di processo l'utilizzatore può decidere di abilitare anche lo stato dei parametri inattivi. In questo modo è possibile osservare diverse situazioni del sensore allo stesso tempo.

Byte 0	31	30	29	28	27	26	25	24
	MSB							
Byte 1	23	22	21	20	19	18	17	16
								LSB
Byte 2	15	14	13	12	11	10	9	8
			SC	TA	DA2	DA1	SSC2	SSC1
Byte 3	7	6	5	4	3	2	1	0
							SO2	SO1

4 Byte

Valore analogico 16 ... 31 (16 BIT)

2.6.3. Impostazione dell'applicazione del sensore

Il sensore ha 3 preimpostazioni a seconda dell'applicazione:

- Gamma di fondo scala, i setpoint del sensore possono essere regolati a fondo scala e la velocità di rilevamento è impostata al massimo
- Livello del liquido, deve essere utilizzato per oggetti a movimento lento con un alto valore dielettrico quale il rilevamento di liquidi a base di acqua. Quando questa funzione è selezionata, le impostazioni di Teach e potenziometro sono ottimizzate per la gamma alta della scala. In questa modalità la scala del filtro è impostata su 100
- Biglie di plastica, deve essere utilizzato per oggetti a movimento lento con un basso valore dielettrico come per il rilevamento delle biglie di plastica. Quando questa funzione è selezionata, le impostazioni di Teach e potenziometro sono ottimizzate per la gamma bassa della scala. In questa modalità la scala del filtro è impostata su 100.

2.6.4. Soglia di allarme temperatura

La temperatura a cui si attiverà l'allarme di temperatura può essere modificata sia per il massimo che per il minimo. Vale a dire che il sensore darà un allarme al superamento della temperatura massima e minima. Le temperature possono essere impostate tra -50 °C e +150 °C. Le impostazioni di fabbrica predefinite sono: soglia bassa -30 °C e soglia alta +120 °C.

2.6.5. Limiti di sicurezza

Il sensore ha un margine di sicurezza integrato che aiuta a regolare il rilevamento fino ai setpoint con un margine di sicurezza aggiuntivo. Le impostazioni di fabbrica sono fissate su due volte l'isteresi standard del sensore, p.es. per un sensore CA18FAN... con un'isteresi del 15% il margine di sicurezza è impostato al 30%.

Tale valore può essere impostato individualmente da 0% a 100% per SSC1 o SSC2.

2.6.6. Configurazione degli eventi

Gli eventi di temperatura trasmessi tramite l'interfaccia IO-Link sono disattivati nel sensore per impostazione predefinita. Se l'utilizzatore desidera ottenere informazioni sulle temperature critiche rilevate nell'applicazione del sensore, questo parametro consente di abilitare o disabilitare i seguenti 5 eventi:

- Evento errore di temperatura: il sensore rileva la temperatura al di fuori del campo operativo specificato.
- Temperatura eccessiva: il sensore rileva temperature superiori a quelle impostate nella soglia di allarme temperatura.
- Temperatura insufficiente: il sensore rileva temperature inferiori a quelle impostate nella soglia di allarme temperatura.
- Cortocircuito: Il sensore rileva se l'uscita del sensore è in cortocircuito.
- Manutenzione: Il sensore rileva se è necessario eseguire la manutenzione e se è necessario pulirlo.

2.6.7. Qualità di esecuzione QoR

La qualità di esecuzione informa sull'effettiva prestazione di rilevamento rispetto ai setpoint del sensore: maggiore è il valore e migliore è la qualità del rilevamento.

Il valore di QoR può variare nell'intervallo 0 ... 255%.

Il valore QoR viene aggiornato ad ogni ciclo di rilevamento.

Esempi di QoR sono riportati nella tabella seguente.

Valori della Qualità di esecuzione	Definizioni
> 150%	Eccellenti condizioni di rilevamento, il sensore non dovrebbe avere alcun problema di manutenzione
100%	Buone condizioni di rilevamento, la prestazione del sensore è buona come quando i setpoint sono stati appresi o impostati manualmente con un margine di sicurezza di due volte l'isteresi standard. <ul style="list-style-type: none"> • Affidabilità a lungo termine prevista per tutte le condizioni ambientali. • Non ci dovrebbe essere bisogno di manutenzione.
50%	Condizioni di rilevamento medie <ul style="list-style-type: none"> • Affidabilità a breve termine e previsione di manutenzione a causa delle condizioni ambientali • Ci si può aspettare un rilevamento affidabile con una limitata influenza ambientale.
0%	Ci si può aspettare un funzionamento da scarso a non affidabile nelle condizioni di rilevamento.

2.6.8. Qualità di Teach QoT

La qualità di Teach informa su quanto correttamente sia stata eseguita la procedura di Teach, vale a dire il margine tra i setpoint effettivi e l'influenza ambientale del sensore.

Il valore di QoT può variare nell'intervallo 0 ... 255 %.

Il valore QoT viene aggiornato dopo ogni procedura di Teach.

Esempi di QoT sono riportati nella tabella seguente.

Valori della Qualità di Teach	Definizioni
> 150%	Eccellenti condizioni di Teach, il sensore non dovrebbe avere alcun problema di manutenzione
100%	Buone condizioni di Teach, l'apprendimento del sensore è avvenuto con un margine di sicurezza di due volte l'isteresi standard. <ul style="list-style-type: none">• Affidabilità a lungo termine prevista per tutte le condizioni ambientali.• Non ci dovrebbe essere bisogno di manutenzione.
50%	Condizioni di Teach medie. <ul style="list-style-type: none">• Affidabilità a breve termine e previsione di manutenzione a causa delle condizioni ambientali.• Ci si può aspettare un rilevamento affidabile con una limitata influenza ambientale.
0%	Scarso risultato del Teach. <ul style="list-style-type: none">• Ci si può aspettare un funzionamento non affidabile nelle condizioni di rilevamento (p.es. un margine di misurazione troppo ridotto tra il bersaglio e ciò che gli sta intorno).

2.6.9. Scala del filtro

Questa funzione può aumentare l'immunità verso bersagli instabili e disturbi elettromagnetici: il valore può essere impostato da 1 a 255, l'impostazione di fabbrica predefinita è 1.

Le impostazioni del filtro di 1 danno la massima frequenza di rilevamento e un'impostazione di 255 indica la frequenza minima di rilevamento.

2.6.10. Indicatore a LED

L'indicatore a LED può essere configurato in 3 modalità diverse: Inattivo, Attivo o Trova il mio sensore.

Inattivo: I LED sono sempre spenti

Attivo: I LED seguono lo schema di indicazione riportato al paragrafo 5.1.

Trova il mio sensore: I LED lampeggiano in alternanza a 2Hz con prestazione del 50% così da permettere di individuare facilmente il sensore.

2.7. Parametri diagnostici

2.7.1. Ore di funzionamento

Il sensore ha un contatore incorporato che registra ogni ora completa in cui il sensore sia stato operativo, per un massimo di 2.147.483.647 ore registrabili. Questo valore può essere letto da un master IO-Link.

2.7.2. Numero di accensione [cicli]

Il sensore ha un contatore incorporato che registra ogni volta che il sensore è stato acceso, il valore viene salvato ogni ora, il numero massimo di cicli di accensione che si possono registrare è di 2.147.483.647 cicli. Questo valore può essere letto da un master IO-Link.

2.7.3. Temperatura massima - sempre alta [°C]

Il sensore ha una funzione incorporata che registra la temperatura più elevata a cui il sensore è stato esposto durante il corso della sua vita operativa. Questo parametro viene aggiornato una volta all'ora e può essere letto da un master IO-Link.

2.7.4. Temperatura minima - sempre bassa [°C]

Il sensore ha una funzione incorporata che registra la temperatura più bassa a cui il sensore è stato esposto durante il corso della sua vita operativa. Questo parametro viene aggiornato una volta all'ora e può essere letto da un master IO-Link.

2.7.5. Temperatura massima - dall'ultima accensione [°C]

Tramite questo parametro l'utilizzatore può ottenere informazioni su quale sia la temperatura massima registrata dal momento dell'avvio. Questo valore non viene salvato nel sensore.

2.7.6. Temperatura minima - dall'ultima accensione [°C]

Tramite questo parametro l'utilizzatore può ottenere informazioni su quale sia la temperatura minima registrata dal momento dell'avvio. Questo valore non viene salvato nel sensore.

2.7.7. Temperatura attuale [°C]

Tramite questo parametro l'utilizzatore può ottenere informazioni sulla temperatura attuale del sensore.

2.7.8. Contatore di rilevamento [cicli]

Il sensore registra ogni volta che SSC1 cambia stato. Questo parametro viene aggiornato una volta all'ora e può essere letto da un master IO-Link.

2.7.9. Minuti oltre la temperatura massima [min]

Il sensore registra quanti minuti il sensore è stato operativo al di sopra della temperatura massima del sensore, il numero massimo di minuti da registrare è 2.147.483.647. Questo parametro viene aggiornato una volta all'ora e può essere letto da un master IO-Link.

2.7.10. Minuti al di sotto della temperatura minima [min]

Il sensore registra quanti minuti il sensore è stato operativo al di sotto della temperatura minima del sensore, il numero massimo di minuti da registrare è 2.147.483.647. Questo parametro viene aggiornato una volta all'ora e può essere letto da un master IO-Link.

2.7.11. Contatore degli eventi di manutenzione

Il sensore registra quante volte il contatore degli eventi ha richiesto la manutenzione, il numero massimo di eventi da registrare è 2.147.483.647 volte. Questo parametro viene aggiornato una volta all'ora e può essere letto da un master IO-Link.

2.7.12. Contatore dei download

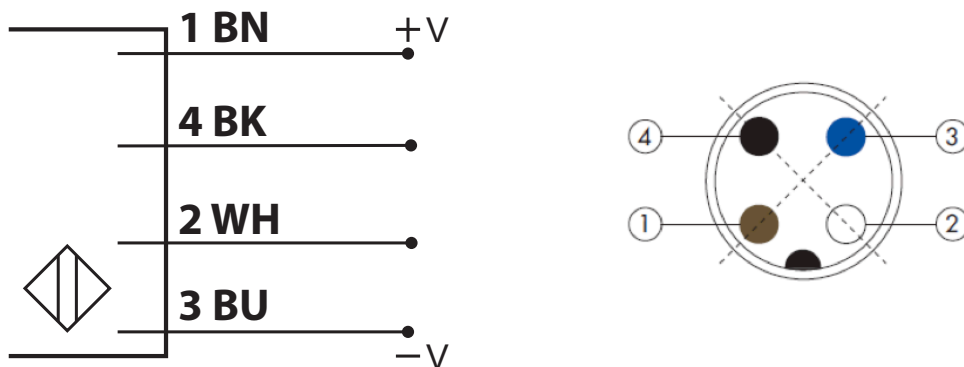
Il sensore registra quante volte i parametri del sensore sono stati modificati, il numero massimo di modifiche da registrare è 65.536 volte. Questo parametro viene aggiornato una volta all'ora e può essere letto da un master IO-Link.

NOTA!

La temperatura misurata dal sensore sarà sempre superiore alla temperatura ambiente, a causa del riscaldamento interno.

La differenza tra temperatura ambiente e temperatura interna è influenzata dal modo in cui il sensore viene installato nell'applicazione. Se il sensore è installato su una staffa metallica, la differenza sarà inferiore rispetto a quando il sensore è montato su una di plastica.

3. Schemi di cablaggio



PIN	Colore	Segnale	Descrizione
1	Marrone	da 10 a 40 VDC	Alimentazione sensore
2	Blu	GND	Terra
3	Nero	Carico	IO-Link / uscita 1 / modalità SIO
4	Bianco	Carico	Uscita 2 / modalità SIO / ingresso esterno / Teach esterno

4. Messa in funzione

50 ms dopo l'accensione dell'alimentazione il sensore è operativo.

Se è collegato a un master IO-Link, non sono necessarie ulteriori impostazioni e la comunicazione IO-Link si avvia automaticamente dopo che il master IO-Link ha inviato una richiesta di attivazione al sensore.

5. Funzionamento

5.1. Interfaccia utente di CA18FA...IO e CA30FA... IO

I sensori CA18FA...IO e CA30FA...IO sono dotati di un LED giallo e di uno verde.

LED giallo	LED giallo	Alimentazione	Rilevamento
Modalità SIO e IO-Link			
ON	ON	ON	ON (stabile)* SSC1
ON	OFF	ON	OFF (stabile)* SSC1
OFF	ON	-	ON (non stabile) SSC1
OFF	OFF	-	OFF (non stabile) SSC1
-	Lampeggiante 10 Hz Prestazione 50%	ON	Cortocircuito in uscita
-	Lampeggiante (0,5 ... 20 Hz)	ON	Indicazione del timer
Solo modalità SIO			
-	Lampeggiante 1 Hz ON Prestazione 10% OFF Prestazione 90%	ON	Teach esterno via cavo. Solo per modalità a punto singolo
-	Lampeggiante 1 Hz ON Prestazione 90% OFF Prestazione 10%	ON	Finestra Teach (3-6 sec)
-	Lampeggiante 10 Hz ON Prestazione 50% OFF Prestazione 50% Lampeggiante per 2 sec	ON	Timeout Teach (12 sec)
-	Lampeggiante 2 Hz ON Prestazione 50% OFF Prestazione 50% Lampeggiante per 2 sec	ON	Teach riuscito
Solo modalità IO-Link			
Lampeggiante 1 HZ Stabile: ON Prestazione 90% OFF Prestazione 10% Non stabile: ON Prestazione 10% OFF Prestazione 90%	-	ON	Il sensore è in modalità IO-Link
Lampeggiante 2 Hz Prestazione 50%		ON	Trova il mio sensore

* Possibile disattivare entrambi i LED

6. File IODD e impostazione di fabbrica

6.1. File IODD di un dispositivo IO-Link

Tutte le funzioni, i parametri del dispositivo e i valori di impostazione del sensore sono raccolti in un file denominato I/O Device Description (file IODD). Il file IODD è necessario al fine di stabilire la comunicazione tra il master IO-Link e il sensore. Ogni fornitore di dispositivi IO-Link deve consegnare questo file e renderlo disponibile per il download sul sito web. Il file è compresso, quindi è importante decomprimerlo.

Il file IODD include:

- dati di processo e diagnostici
- descrizione dei parametri con nome, intervallo consentito, tipo di dati e indirizzo (index e sub-index)
- proprietà di comunicazione, incluso il tempo di ciclo minimo del dispositivo
- identificazione del dispositivo, numero dell'articolo, immagine del dispositivo e logo del produttore

Il file IODD è disponibile sul sito web Carlo Gavazzi: tbd

6.2. Impostazioni di fabbrica

Le impostazioni di fabbrica predefinite e elencate nell'appendice 7 sotto i valori predefiniti.

7. Appendice

7.1. Acronimi

DA	Allarme polvere
IntegerT	Intero contrassegnato
OctetStringT	Posizione degli ottetti
PDV	Dati e variabili di processo
R/W	Lettura e scrittura
RO	Sola lettura
SO	Uscita di commutazione
SP	Setpoint
SSC	Canale del segnale di commutazione
StringT	Stringa di caratteri ASCII
TA	Allarme di temperatura
UIntegerT	Intero non contrassegnato
WO	Sola scrittura

7.2. Parametri dispositivo IO-Link per CA18FA.. e CA30FA..

7.2.1. Parametri dispositivo

Nome parametro	Index dec (Hex)	Accesso	Valore predefinito	Intervallo dati	Tipo dati	Lunghezza
Nome fornitore	16 (0x10)	RO	Carlo Gavazzi	-	StringT	20 Byte
Testo fornitore	17 (0x11)	RO	www.gavazziautomation.com	-	StringT	26 Byte
Nome prodotto	18 (0x12)	RO	(nome del sensore) p.es. CA30FAN25BPA2IO	-	StringT	20 Byte
ID prodotto	19 (0x13)	RO	(codice EAN del prodotto) p.es. 5709870394046	-	StringT	13 Byte
Testo prodotto	20 (0x14)	RO	Sensore di prossimità capacitivo	-	StringT	30 Byte
Numero seriale	21 (0x15)	RO	(numero seriale univoco) p.es. LR24101830834	-	StringT	13 Byte
Revisione hardware	22 (0x16)	RO	(revisione hardware) p.es. v01.00	-	StringT	6 Byte
Revisione firmware	23 (0x17)	RO	(revisione software) p.es. v01.00	-	StringT	6 Byte
Tag specifico dell'applicazione	24 (0x18)	RW	***	Qualsiasi stringa fino a 32 caratteri	StringT	max 32 Byte
Tag funzione	25 (0x19)	RW	***	Qualsiasi stringa fino a 32 caratteri	StringT	max 32 Byte
Tag posizione	26 (0x1A)	RW	***	Qualsiasi stringa fino a 32 caratteri	StringT	max 32 Byte
Conteggio errori	32 (0x20)	RO	0	0...65 535	IntegerT	16 bit
Stato dispositivo	36 (0x24)	RO	0 = Il dispositivo funziona correttamente	0 = Il dispositivo funziona correttamente 1 = Manutenzione necessaria 2 = Fuori specifica 3 = Controllo funzionale 4 = Guasto	UIntegerT	8 bit
Stato dettagliato dispositivo	37 (0x25)		-	-		3 Byte
Errore di temperatura	-	RO	-	-	OctetStringT	3 Byte
Temperatura eccessiva	-	RO	-	-	OctetStringT	3 Byte
Temperatura insufficiente	-	RO	-	-	OctetStringT	3 Byte
Cortocircuito	-	RO	-	-	OctetStringT	3 Byte
Manutenzione necessaria	-	RO	-	-	OctetStringT	3 Byte
Processo dati d'ingresso	40 (0x28)	RO	-	-	IntegerT	32 bit

7.2.2. Parametri SSC

Nome parametro	Index dec (Hex)	Accesso	Valore predefinito	Intervallo dati	Tipo dati	Lunghezza
Selezione Teach-in	58 (0x3A)	RW	1 = Canale del segnale di commutazione 1	0 = Canale predefinito 1 = Canale del segnale di commutazione 1 2 = Canale del segnale di commutazione 2 255 = Tutti SSC	UIntegerT	8 bit
Risultato Teach-in	59 (0x3B)	-	-	-	RecordT	8 bit
Stato Teach-in	1 (0x01)	RO	0 = Inattivo	0 = Inattivo 1 = Successo 4 = Attesa comando 5 = Occupato 7 = Errore	-	-
Flag SP1 TP1 Teachpoint 1 di setpoint 1	2 (0x02)	RO	0 = Non OK	0 = Non OK 1 = OK	-	-
Flag SP1 TP2 TeachPoint 2 di setpoint 1	3 (0x03)	RO	0 = Non OK	0 = Non OK 1 = OK	-	-
Flag SP2 TP1 TeachPoint 1 di setpoint 2	4 (0x04)	RO	0 = Non OK	0 = Non OK 1 = OK	-	-
Flag SP2 TP2 TeachPoint 2 di setpoint 2	5 (0x05)	RO	0 = Non OK	0 = Non OK 1 = OK	-	-
Parametro SSC1 (canale del segnale di commutazione)	60 (0x3C)		-	-	-	-
Setpoint 1 (SP1)	1 (0x01)	R/W	1.000	0 ... 10.000	IntegerT	16 bit
Setpoint 2 (SP2)	2 (0x02)	R/W	10.000	0 ... 10.000	IntegerT	16 bit
Configurazione SSC1 (canale del segnale di commutazione)	61 (0x3D)	-	-	-	-	-
Logica di commutazione 1	1 (0x01)	R/W	0 = Attivo alto	0 = Attivo alto 1 = Attivo basso	UIntegerT	8 bit
Modalità 1	2 (0x02)	R/W	1 = Modalità a punto singolo	0 = Disattivato 1 = Modalità a punto singolo 2 = Modalità finestra 3 = Modalità a punto doppio	UIntegerT	8 bit
Isteresi 1	3 (0x03)	R/W	CA18FAF 6% CA18FAN 15% CA30FAF 7% CA30FAN 10%	1 ... 100	UIntegerT	16 bit
Parametro SSC2	62 (0x3E)		-	-	-	-
Setpoint 1 (SP1)	1 (0x01)	R/W	1.000	0 ... 10.000	IntegerT	16 bit
Setpoint 2 (SP2)	2 (0x02)	R/W	10.000	0 ... 10.000	IntegerT	16 bit
Configurazione SSC2	63 (0x3F)				UIntegerT	8 bit
Logica di commutazione 2	1 (0x01)	R/W	0 = Attivo alto	0 = Attivo alto 1 = Attivo basso	UIntegerT	8 bit
Modalità 2	2 (0x02)	R/W	1 = Modalità a punto singolo	0 = Disattivato 1 = Modalità a punto singolo 2 = Modalità finestra 3 = Modalità a punto doppio	UIntegerT	8 bit
Isteresi 2	3 (0x03)	R/W	CA18FAF 6% CA18FAN 15% CA30FAF 8% CA30FAN 10%	1 ... 100	UIntegerT	16 bit

7.2.3. Parametri di uscita

Nome parametro	Index, dec (hex)	Accesso	Valore predefinito	Intervallo dati	Tipo dati	Lunghezza
Canale 1 (S01)	64 (0x40)					
Modalità stage 1	1 (0x01)	R/W	1 = Uscita PNP	0 = Uscita disabilitata 1 = Uscita PNP 2 = Uscita NPN 3 = Uscita push-pull	UIntegerT	8 bit
Selettore di ingresso 1	2 (0x02)	R/W	1 = SSC 1	0 = Disattivato 1 = SSC 1 2 = SSC 2 3 = Allarme polvere 1 (DA1) 4 = Allarme polvere 2 (DA2) 5 = Allarme di temperatura (TA) 6 = Ingresso logico esterno	UIntegerT	8 bit
Timer 1 - Modalità	3 (0x03)	R/W	0 = Timer disabilitato	0 = Timer disabilitato 1 = Ritardo T-on 2 = Ritardo T-off 3 = Ritardo T-on/T-off 4 = Impulso al fronte di salita 5 = Impulso al fronte di discesa	UIntegerT	8 bit
Timer 1 - Scala	4 (0x04)	R/W	0 = Millisecondi	0 = Millisecondi 1 = Secondi 2 = Minuti	UIntegerT	8 bit
Timer 1 – Valore	5 (0x05)	R/W	0	Da 0 a 32.767	IntegerT	16 bit
Funzione logica 1	7 (0x07)	R/W	0 = Diretto	0 = Diretto 1 = AND 2 = OR 3 = XOR 4 = Gated Set-Reset-Flip-Flop	UIntegerT	8 bit
Invertitore di uscita 1	8 (0x08)	R/W	0 = Non invertito (N.O.)	0 = Non invertito (Normalmente aperto) 1 = Invertito (Normalmente chiuso)	UIntegerT	8 bit
Canale 2 (S02)	65 (0x41)					
Modalità stage 2	1 (0x01)	R/W	1 = Uscita PNP	0 = Uscita disabilitata 1 = Uscita PNP 2 = Uscita NPN 3 = Uscita push-pull 4 = Ingresso logico digitale (attivo alto/ Pull-down) 5 = Ingresso logico digitale (attivo basso/ Pull-up) 6 = Teach-in (attivo alto)	UIntegerT	8 bit
Selettore di ingresso 2	2 (0x02)	R/W	1 = SSC 1	0 = Disattivato 1 = SSC 1 2 = SSC 2 3 = Allarme polvere 1 (DA1) 4 = Allarme polvere 2 (DA2) 5 = Allarme di temperatura (TA) 6 = Ingresso logico esterno	UIntegerT	8 bit
Timer 2 - Modalità	3 (0x03)	R/W	0 = Timer disabilitato	0 = Timer disabilitato 1 = Ritardo T-on 2 = Ritardo T-off 3 = Ritardo T-on/T-off 4 = Impulso al fronte di salita 5 = Impulso al fronte di discesa	UIntegerT	8 bit
Timer 2 - Scala	4 (0x04)	R/W	0 = Millisecondi	0 = Millisecondi 1 = Secondi 2 = Minuti	UIntegerT	8 bit
Timer 2 – Valore	5 (0x05)	R/W	0	Da 0 a 32.767	IntegerT	16 bit
Funzione logica 2	7 (0x07)	R/W	0 = Diretto	0 = Diretto 1 = AND 2 = OR 3 = XOR 4 = Gated Set-Reset-Flip-Flop	UIntegerT	8 bit
Invertitore di uscita 2	8 (0x08)	R/W	1 = Invertito (Normalmente chiuso)	0 = Non invertito (Normalmente aperto) 1 = Invertito (Normalmente chiuso)	UIntegerT	8 bit

7.2.4. Parametri regolabili specifici del sensore

Nome parametro	Index, dec (hex)	Accesso	Valore predefinito	Intervallo dati	Tipo dati	Lunghezza
Selezione della regolazione locale o in remoto	68 (0x44)	RW	1 = Regolazione del potenziometro	0 = Disabilitato 1 = Ingresso potenziometro 2 = Teach via cavo	UIntegerT	8 bit
Valore regolazione potenziometro	69 (0x45)	RO		10 ... 10.000		
Configurazione dei dati di processo	70 (0x46)				RecordT	16 bit
Valore analogico	1 (0x01)	RW	1 = Valore analogico attivo	0 = Valore analogico inattivo 1 = Valore analogico attivo		
Uscita di commutazione 1	2(0x02)	RW	1 = Uscita di commutazione 1 attiva	0 = Uscita di commutazione 1 inattiva 1 = Uscita di commutazione 1 attiva		
Uscita di commutazione 2	3 (0x03)	RW	1 = Uscita di commutazione 2 attiva	0 = Uscita di commutazione 2 inattiva 1 = Uscita di commutazione 2 attiva		
Canale del segnale di commutazione 1	4 (0x04)	RW	0 = SSC1 inattivo	0 = SSC1 inattivo 1 = SSC1 attivo		
Canale del segnale di commutazione 2	5 (0x05)	RW	0 = SSC2 inattivo	0 = SSC2 inattivo 1 = SSC2 attivo		
Allarme polvere 1	6 (0x06)	RW	0 = DA1 inattivo	0 = DA1 inattivo 1 = DA1 attivo		
Allarme polvere 2	7 (0x07)	RW	0 = DA2 inattivo	0 = DA2 inattivo 1 = DA2 attivo		
Allarme di temperatura	8 (0x08)	RW	0 = TA inattivo	0 = TA inattivo 1 = TA attivo		
Cortocircuito	9 (0x09)	RW	0 = SC inattivo	0 = SC inattivo 1 = SC attivo		
Preimpostazione applicazione sensore	71 (0x47)	R/W	0 = Intervallo di fondo scala	0 = Intervallo di fondo scala 1 = Livello liquido 2 = Biglie di plastica	UIntegerT	8 bit
Soglia di allarme temperatura	72 (0x48)	R/W			RecordT	30 bit
Soglia alta	1 (0x01)	R/W	120	Da -50 a 150 [°C]	IntegerT	16 bit
Soglia bassa	2 (0x02)	R/W	- 30	Da -50 a 150 [°C]	IntegerT	16 bit
Limiti di sicurezza ON/OFF	73 (0x49)	R/W			RecordT	16 bit
SSC 1 - Limite di sicurezza	1 (0x01)	R/W	2 x isteresi standard	0 ... 100	UIntegerT	8 bit
SSC 2 - Limite di sicurezza	2(0x02)	R/W	2 x isteresi standard	0 ... 100	UIntegerT	8 bit
Configurazione degli eventi	74 (0x4A)	R/W			RecordT	16 bit
Manutenzione (0x8C30)	1 (0x01)	R/W	0 = Manutenzione Evento di notifica - Inattivo	0 = Evento di notifica inattivo 1 = Evento di notifica attivo		
Evento errore di temperatura (0x4000)	2 (0x02)	R/W	0 = Errore di temperatura Evento errore - Inattivo	0 = Evento errore inattivo 1 = Evento errore attivo		
Temperatura eccessiva (0x4210)	3 (0x03)	R/W	0 = Temperatura eccessiva Evento avviso - Inattivo	0 = Evento avviso inattivo 1 = Evento avviso attivo		
Temperatura insufficiente (0x4220)	4 (0x04)	R/W	0 = Temperatura insufficiente Evento avviso - Inattivo	0 = Evento avviso inattivo 1 = Evento avviso attivo		
Cortocircuito (0x7710)	5 (0x05)	R/W	0 = Cortocircuito Evento errore - Inattivo	0 = Evento errore inattivo 1 = Evento errore attivo		
Qualità di Teach	75 (0x4B)	RO	-	0 ... 255	UIntegerT	8 bit
Qualità di esecuzione	76 (0x4C)	RO	-	0 ... 255	UIntegerT	8 bit
Scala del filtro	77 (0x4D)	R/W	1	0 ... 255	UIntegerT	8 bit
Indicatore a LED	78 (0x4E)	R/W	1 = Indicatore a LED attivo	0 = Indicatore a LED inattivo 1 = Indicatore a LED attivo 2 = Trova il mio sensore	UIntegerT	8 bit

7.2.5. Parametri diagnostici

Nome parametro	Index, dec (hex)	Accesso	Valore predefinito	Intervallo dati	Tipo dati	Lunghezza
Ore di funzionamento	201 (0xC9)	RO	0	0 ... 2.147.483.647 [h]	IntegerT	32 bit
Numero di accensione	202 (0xCA)	RO	0	0 ... 2.147.483.647	IntegerT	32 bit
Temperatura massima – sempre alta	203 (0xCB)	RO	0	Da -50 a 150 [°C]	IntegerT	16 bit
Temperatura minima – sempre bassa	204 (0xCC)	RO	0	Da -50 a 150 [°C]	IntegerT	16 bit
Temperatura massima dall'ultima accensione	205 (0xCD)	RO	-	Da -50 a 150 [°C]	IntegerT	16 bit
Temperatura minima dall'ultima accensione	206 (0xCE)	RO	-	Da -50 a 150 [°C]	IntegerT	16 bit
Temperatura attuale	207 (0xCF)	RO	-	Da -50 a 150 [°C]	IntegerT	16 bit
Contatore di rilevamento SSC1	210 (0xD2)	RO	-	0 ... 2.147.483.647	IntegerT	32 bit
Minuti oltre la temperatura massima	211 (0xD3)	RO	-	0 ... 2.147.483.647 [min]	IntegerT	32 bit
Minuti al di sotto della temperatura minima	212 (0xD4)	RO	-	0 ... 2.147.483.647 [min]	IntegerT	32 bit
Contatore degli eventi di manutenzione	213 (0xD5)	RO	0	0 ... 2.147.483.647	IntegerT	32 bit
Contatore dei download	214 (0xD6)	RO	0	0 ... 65.536	UIntegerT	16 bit



Kapacitive IO-Link-sensorer

CA18FA, CA30FA

Instruction manual

Betriebsanleitung

Manuel d'instructions

Manual de instrucciones

Manuale d'istruzione

Brugervejledning

使用手册

Carlo Gavazzi Industri Over Hadstenvej 40, 8340 Hadsten, Danmark

Indhold

1. Introduktion	154
1.2 Dokumentationens gyldighed	154
1.3 Hvem skal bruge denne dokumentation	154
1.4 Brug af produktet	154
1.5 Sikkerhedsforholdsregler	154
1.6 Andre dokumenter	154
1.7 Akronymmer	155
2. Produkt	156
2.1 Primære funktioner	156
2.2 Identifikationsnummer	156
2.3 Driftsmodi	157
2.3.1 SIO-modus	157
2.3.2 IO-Link-modus	157
2.4 Udgangsparametre	158
2.4.1. Sensorfront	158
2.4.2. Indgangsvælger	161
2.4.3. Logikfunktionsblok	161
2.4.4. Timer (Kan indstilles individuelt for Ud1 og Ud2)	163
2.4.5. Udgangs-inverter	166
2.4.6. Udgangstrinmodus	166
2.5. Indlæringsprocedure	167
2.5.1. Ekstern indlæring (Teach-by-wire)	167
2.5.2. Indlæring fra IO-Link-master	167
2.6. Sensorspecifikke justerbare parametre	170
2.6.1. Valg af lokal justering eller fjernjustering	170
2.6.2. Procestdata og variabler	170
2.6.3. Sensoranvendelsesindstilling	170
2.6.4. Temperaturalarm-tærskel	170
2.6.5. Sikre grænser	171
2.6.6. Hændelseskonfiguration	171
2.6.7. Kvalitet af kørsel QoR	171
2.6.8. Kvalitet af indlæring QoT	172
2.6.9. Filterskalering	172
2.6.10. LED-indikering	172
2.7. Diagnoseparametre	173
3. Ledningsdiagrammer	174
4. Idrifttagning	174
5. Drift	175
5.1. Brugergænseflade på CA18FA...IO og CA30FA... IO	175
6. IODD-fil og fabriksindstilling	176
6.1. IODD-fil til en IO-Link-enhed	176
6.2. Fabriksindstillinger	176
7. Bilag	176
7.1. Akronymmer	176
7.2. IO-Link-enhedsparametre til CA18FA.. og CA30FA..	177
7.2.1. Enhedsparametre	177
7.2.2. SSC-parametre	178
7.2.3. Udgangsparametre	179
7.2.4. Sensorspecifikke justerbare parametre	180
7.2.5. Diagnoseparametre	181
Dimensioner	212
Montering	212
Detektionstabilitet	213
Installationsråd og -vink	214

1. Introduktion

Denne vejledning er en referenceguide til Carlo Gavazzi kapacitive IO-Link-nærhedssensorer CA18FA...IO og CA30FA...IO. Den beskriver, hvordan produktet installeres, konfigureres og benyttes til det tilsigtede formål.

1.1 Beskrivelse

Carlo Gavazzi kapacitive sensorer er enheder, der er konstrueret og fremstillet i overensstemmelse med de internationale IEC-standarder og underlagt EF-direktiverne Lavspændingsdirektivet (2014/35/EU) og EMC-direktivet (2014/30/EU).

Alle rettigheder til dette dokument forbeholdes af Carlo Gavazzi Industri, og kopier må kun udfærdiges til intern brug.

Forslag til forbedringer af dette dokument er altid velkomne.

1.2 Dokumentationens gyldighed

Denne vejledning gælder kun for CA18 og CA30 kapacitive sensorer med IO-Link, og kun indtil ny dokumentation udgives.

Denne brugervejledning beskriver funktion, drift og installation af produktet til dets tilsigtede anvendelse.

1.3 Hvem skal bruge denne dokumentation

Denne vejledning indeholder vigtige oplysninger vedr. installation og skal læses og forstås i dens helhed af specialiseret personale, som håndterer disse kapacitive nærhedssensorer.

Vi anbefaler på det kraftigste, at du læser vejledningen omhyggeligt, inden du installerer sensoren. Gem vejledningen til fremtidig anvendelse. Installationsvejledningen henvender sig til kvalificeret teknisk personale.

1.4 Brug af produktet

Kapacitive nærhedssensorer er berøringss frie enheder, der kan måle position og/eller positionsændring på ethvert ledende mål. De kan ligeledes måle tykkelse eller massefylde på ikke-ledende materialer. Kapacitive nærhedssensorer benyttes i et stort udvalg af anvendelser, herunder plasticstøbeprocesser, fodersystemer til fjerkræ og svin, montagelinjeafprøvning og fylde- og tømmeprocesser i forbindelse med faste eller flydende emner.

CA18FA...IO og CA30FA...IO sensorerne er udstyret med IO-Link-kommunikation. Det er ved hjælp af en IO-Link-master muligt at betjene og konfigurere disse enheder.

1.5 Sikkerhedsforholdsregler

Denne sensor må ikke benyttes i anvendelser, hvor personsikkerhed er afhængig af sensorens funktion (Sensoren er ikke konstrueret i overensstemmelse med EU Maskindirektivet).

Installation og brug skal udføres af undervist teknisk personale med grundlæggende viden om elinstallation. Installatøren har ansvaret for korrekt installation i overensstemmelse med lokale sikkerhedsbestemmelser og skal sikre, at en defekt sensor ikke medfører nogen form for fare for personer eller udstyr. Hvis sensoren er defekt, skal den udskiftes og beskyttes imod uautoriseret brug.

1.6 Andre dokumenter

Der er adgang til databladet, IODD-filen og IO-Link-parametervejledningen på internettet på adressen <http://gavazziautomation.com>

1.7 Akronymer

I/O	Indgang/udgang
PD	Procesdata
PLC	Programmerbar logikstyring
SIO	Standardindgang/-udgang
SP	Sætpunkter
IODD	I/O-enhedsbeskrivelse
IEC	Internationale elektrotekniske kommission
NO	Sluttende kontakt
NC	Brydende kontakt
NPN	Træk belastning til jord
PNP	Træk belastning til V+
Push-Pull	Træk belastning til jord eller V+
QoR	Kvalitet af kørsel
QoT	Kvalitet af indlæring
UART	Universel asynkron sender-modtager
SO	Koblingsudgang
SSC	Koblingssignalkanal

2. Produkt

2.1 Primære funktioner

De nye 4-trådede IO-Link DC-sensorer i 4. generation med tredobbelt skærmning fra Carlo Gavazzi er bygget efter de højeste kvalitetsstandarder og fås i to forskellige husstørrelser.

- CA18FA.. PTFE M18 cylindrisk hus med gevindrør til planmontering eller fremstående installation med 4-polet M12-stikforbindelse eller 2 meter PVC-kabel.
- CA30FA.. PTFE M30 cylindrisk hus med gevindrør til planmontering eller fremstående installation med 4-polet M12-stikforbindelse eller 2 meter PVC-kabel.

De kan fungere i standard I/O-modus (SIO), som er deres standarddriftsmodus. Når de sluttes til en IO-Link-master, skifter de automatisk til IO-Link-modus og kan betjenes og uden videre konfigureres ved fjernstyring.

Takket være deres IO-Link-grænseflade er disse enheder langt mere intelligente og byder på mange supplerende konfigurationsmuligheder som f.eks. indstillelig registreringsafstand og hysteresis samt timer-funktioner på udgangen. Avancerede funktioner som f.eks. logikfunktionsblok og muligheden for at konvertere en udgang til en ekstern indgang gør sensoren ekstremt fleksibel i forbindelse med løsning af decentraliserede registreringsopgaver.

2.2 Identifikationsnumre

Kode	Mulighed	Beskrivelse
C	-	Registreringsprincip: Kapacitiv sensor
A	-	Cylindrisk hus med gevindrør
<input type="checkbox"/>	18	M18-hus
	30	M30-hus
F	-	PTFE hus
A	-	Aksial registrering
<input type="checkbox"/>	F	Planmontering
	N	Fremstående montering
<input type="checkbox"/>	08	8 mm registreringsafstand (for CA18...)
	12	12 mm registreringsafstand (for CA18...)
	16	16 mm registreringsafstand (for CA30...)
	25	25 mm registreringsafstand (for CA30...)
B	-	Valgbare funktioner: NPN, PNP, Push-Pull, ekstern indgang (kun ben 2) ekstern indlæringsindgang (kun ben 2)
P	-	Valgbar: NO eller NC
<input type="checkbox"/>	A2	2 meter PVC-kabel
	M1	M12, 4-polet bøsning
IO	-	IO-Link-version

Supplerende tegn kan benyttes til tilpassede versioner.

2.3 Driftsmodi

Kapacitive IO-Link-sensorer er udstyret med to koblingsudgange (SO) og kan arbejde i to forskellige modi: SIO-modus (standard I/O-modus) eller IO-Link-modus.

2.3.1 SIO-modus

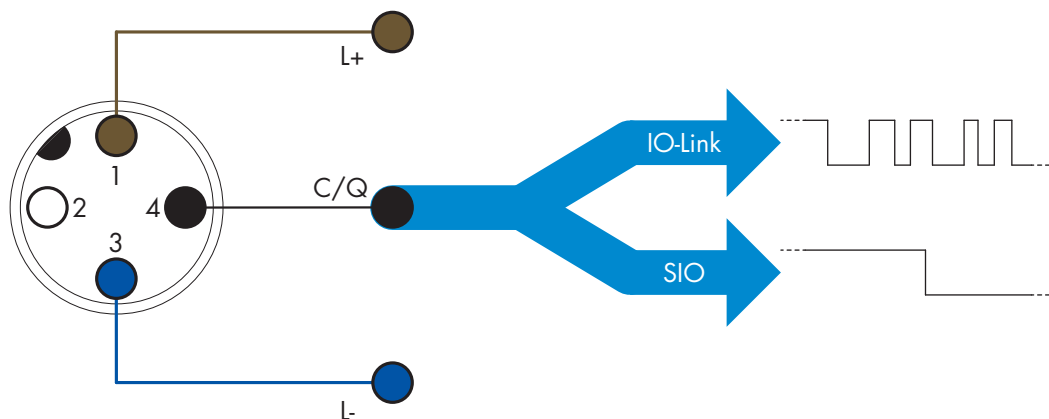
Når sensoren arbejder i SIO-modus (standard), er en IO-Link-master ikke påkrævet. Enheden fungerer som en almindelig kapacitiv sensor, og den kan betjenes via en fieldbus-enhed eller en styreenhed (f.eks. en PLC) ved tilslutning til dens digitale PNP-, NPN- eller push-pull-indgange (standard I/O-port). En af de største fordele ved disse kapacitive sensorer er muligheden for at konfigurere dem via en IO-Link-master, hvorefter de selv ved afbrydelse bevarer de seneste parametre og konfigurationsindstillinger. På denne måde er det f.eks. muligt at konfigurere sensorens udgange individuelt som PNP, NPN eller push-pull eller at tilføje timer-funktioner som f.eks. T-on- og T-off-forsinkelser eller logikfunktioner og derved tilfredsstille flere anvendelseskrav med en og samme sensor.

2.3.2 IO-Link-modus

IO-Link er en standardiseret IO-teknologi, der anerkendes på verdensplan som international standard (IEC 61131-9).

Den betragtes i dag som "USB-grænsefladen" for sensorer og aktuatorer inden for industriel automation. Når sensoren er forbundet med en IO-Link-port, sender IO-Link-masteren en vækkeanmodning (vækkeimpuls) til sensoren, hvorved der automatisk skiftes til IO-Link-modus: punkt-til-punkt bidirektionel kommunikation påbegyndes derefter automatisk imellem masteren og sensoren.

IO-Link-kommunikation kræver kun almindeligt 3-trådet uskærmet kabel med en maksimal længde på 20 m.



IO-Link-kommunikation finder sted med 24 V impulsmodulation, standardiseret UART-protokol via koblings- og kommunikationskablets (kombineret koblingsstatus og datakanal C/Q) BEN 4 eller den sorte ledning.

En M12 4-benet hanbøsning har eksempelvis:

- Positiv strømforsyning: ben 1, brun
- Negativ strømforsyning: ben 3, blå
- Digital udgang 1: ben 4, sort
- Digital udgang 2: ben 2, hvid

Transmissionstakten på CA18FA...IO- hhv. CA30FA...IO-sensorer er 38,4 kBaud (COM2).

Når den er forbundet med IO-Link-porten, har masteren fjernadgang til samtlige sensorens parametre og til avancerede funktioner, som muliggør ændring af indstillinger og konfiguration under driften, og som muliggør diagnosefunktioner som f.eks. temperaturadvarsler, temperaturalarmer og procesdata.

Takket være IO-Link er det muligt at få vist producentoplysningerne og artikelnummeret (servicedata) på den tilsluttede enhed, begyndende fra V1.1. Takket være datalagringsfunktionen er det muligt at udskifte enheden og automatisk få alle oplysningerne, der er lagret i den gamle enhed, overført til udskiftningseenheden.

Adgang til interne parametre giver brugeren mulighed for at se, hvordan sensoren arbejder, f.eks. ved aflæsning af den interne temperatur.

Hændelsesdata giver brugeren mulighed for at få diagnoseoplysninger, herunder f.eks. om en fejl, en alarm, en advarsel eller et kommunikationsproblem.

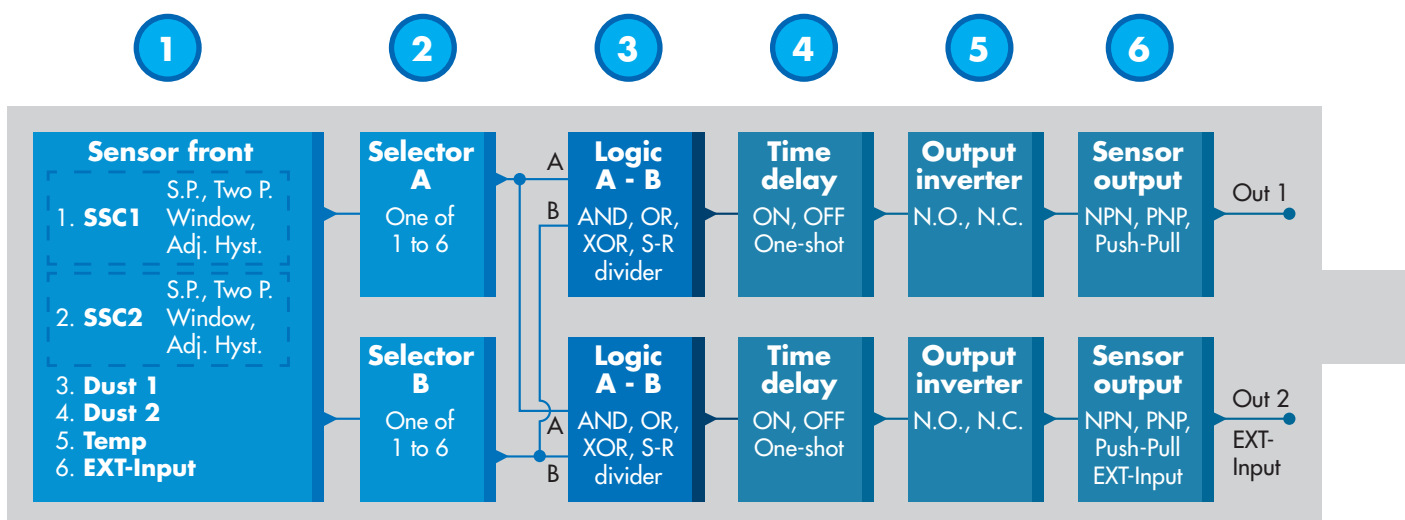
Der er to forskellige kommunikationstyper imellem sensoren og masteren, og de fungerer uafhængigt af hinanden:

- Cyklisk for procesdata og værdistatus – disse data udveksles cyklisk.
- Acyklisk for parameterkonfiguration, identifikationsdata, diagnoseoplysninger og hændelser (f.eks. fejlmeddelelser eller advarsler) – disse data kan udveksles på anmodning.

2.4 Udgangsparametre

Sensoren måler fem forskellige fysiske værdier. Disse værdier kan justeres uafhængigt og bruges som kilde for koblingsudgang 1 eller 2, og derudover kan der vælges en ekstern indgang for SO₂. Når en af disse kilder er valgt, er det muligt at konfigurere sensorens udgang med en IO-Link-master ved at følge de seks trin, der er vist i opsætning af koblingsudgang nedenfor.

Når sensoren er afbrudt fra masteren, skifter den til SIO-modus og beholder den seneste konfigurationsindstilling.



1

2.4.1. Sensorfront

Når en genstand, det være sig fast eller flydende, nærmer sig sensorens overflade, påvirkes detekteringskredsløbets kapacitans, og sensorudgangens status ændres.

2.4.1.1. SSC (koblingssignalkanal)

Til detektering af tilstedeværelse (eller fravær af tilstedeværelse) af en genstand foran sensorens overflade er følgende indstillinger til rådighed: SSC1 eller SSC2.

Sætpunkterne kan fastlægges fra 0 til 10.000 enheder, hvilket repræsenterer detekteringskredsløbets ændring i kapacitans. Jo højere værdien er, desto tættere forekommer målet på sensorens registreringsoverflade, og en højere dielektrisk værdi på målet vil også forøge værdien. Et metalmål har eksempelvis en højere dielektrisk værdi end et plasticmål.

2.4.1.2. Koblingspunktmodus

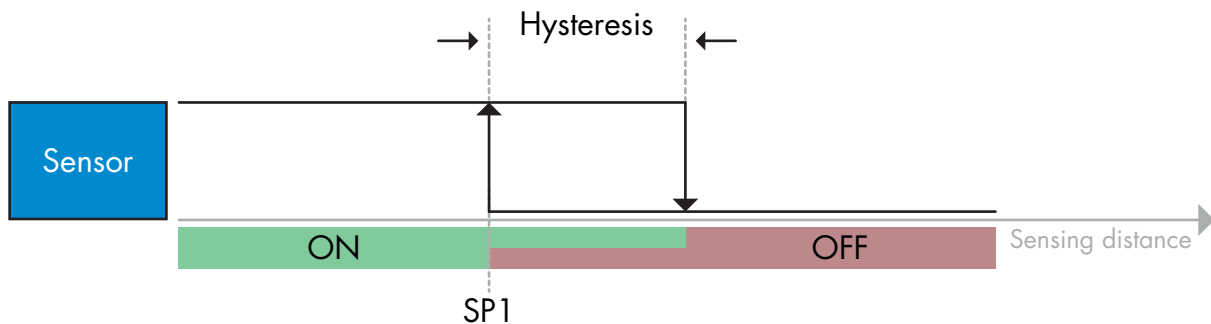
Koblingspunktmodus-indstillingen kan bruges til at etablere en mere avanceret udgangsadfærd. Følgende koblingspunktmodi kan vælges for koblingsadfærd på SSC1 og SSC2:

Deaktiveret

SSC1 og SSC2 kan deaktiveres individuelt, men dette vil også deaktivere udgangen, hvis den er valgt i indgangsvælgeren (logikværdien vil altid være "0").

Enkeltpunktmodus

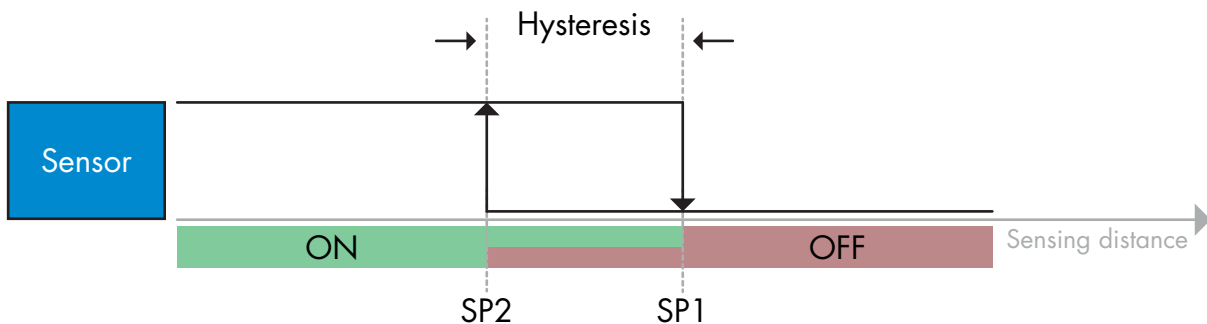
Koblingsoplysningerne ændres, når måleværdien passerer den tærskel, der er defineret i sætpunkt SP1, med stigende eller faldende måleværdier under hensyntagen til hysteresen.



Eksempel på tilstedeværelsesdetektering – med ikke-inverteret logik

Topunktmodus

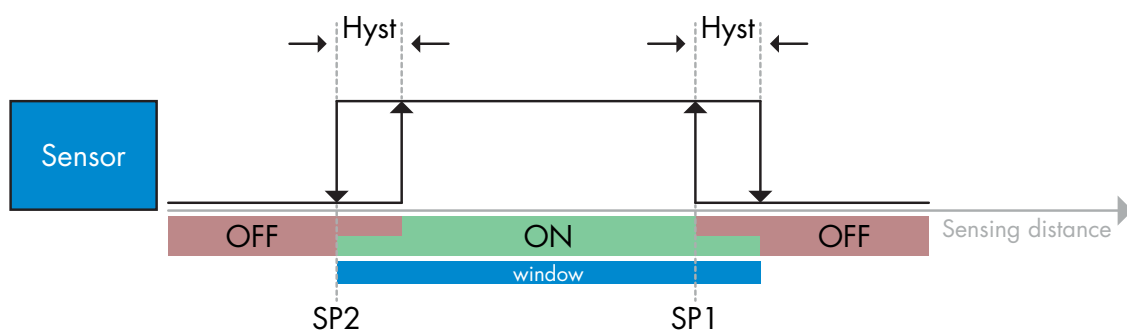
Koblingsoplysningerne ændrer sig, når måleværdien passerer tærsklen, der er defineret i sætpunkt SP1. Denne ændring sker kun med stigende måleværdier. Koblingsoplysningerne ændrer sig også, når måleværdien passerer tærsklen, der er defineret i sætpunkt SP2. Denne ændring sker kun med faldende måleværdier. Der tages ikke hensyn til hysteresen i denne situation.



Eksempel på tilstedeværelsesdetektering – med ikke-inverteret logik

Vinduesmodus

Koblingsoplysningerne ændres, når måleværdien passerer de tærskler, der er defineret i sætpunkt SP1 og sætpunkt SP2, med stigende eller faldende måleværdier under hensyntagen til hysteresen.



Eksempel på tilstedeværelsesdetektering – med ikke-inverteret logik

2.4.1.3. Hystereseindstillinger

I SSC1 og SSC2 – enkeltpunktmodus og i vinduesmodus kan hysterese indstilles imellem 1 og 100 % af den faktiske koblingsværdi. Standardindstillingerne afhænger af registreringstypen:

CA18FAF...	4 %
CA18FAN...	15 %
CA30FAF...	5 %
CA30FAN...	10 %

(SP2 + Hysterese < SP1) & (SP1 + Hysterese < Registreringsområdets øvre grænse).

Oplysninger

Udvidet hysterese benyttes generelt til at afhjælpe vibrations- eller EMC-relaterede problemer i anvendelsen.

2.4.1.4. Støvalarm 1 og Støvalarm 2

Der er mulighed for at indstille den sikre grænse imellem punktet, hvor den registrerende udgang kobler, og værdien, ved hvilken sensoren kan detektere pålideligt selv med en let støvophobning.

Se 2.6.5 Sikre grænser.

2.4.1.5. Temperaturalarm (TA)

Sensoren overvåger konstant den interne temperatur i den forreste del af sensoren. Det er ved hjælp af temperaturalarmindstillingen muligt at få en alarm fra sensoren, hvis temperaturtærskler overskrides. Se §2.6.4

Temperaturalarmen har to separate værdier, én til indstilling af maks.-temperaturen og én til indstilling af min.-temperaturen.

Det er muligt at læse sensorens temperatur via de acykliske IO-Link-parameterdata.

BEMÆRK!

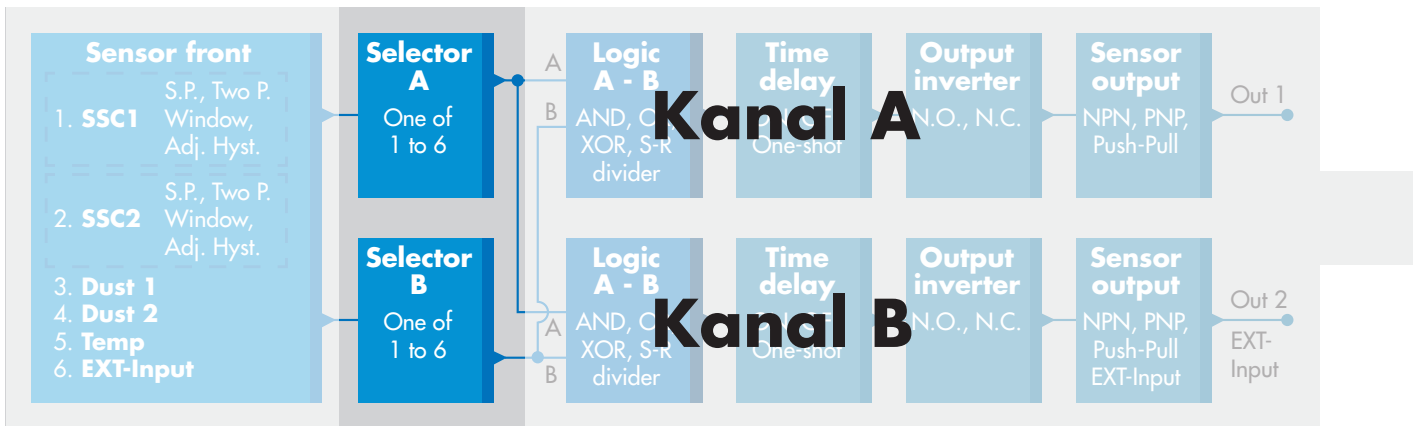
Temperaturen, der måles af sensoren, vil altid være højere end omgivelsestemperaturen, hvilket skyldes intern opvarmning.

Forskellen imellem omgivelsestemperaturen og den interne temperatur påvirkes af måden, som sensoren er monteret på i anvendelsen. Hvis sensoren er monteret i et metalbeslag, vil forskellen være mindre, end hvis den er monteret i et plasticbeslag.

2.4.1.6. Ekstern indgang

Udgang 2 (SO2) kan konfigureres som en ekstern indgang, hvorved eksterne signaler kan føres ind i sensoren. Dette kan ske fra en anden sensor eller fra en PLC eller direkte fra en maskinudgang.

2

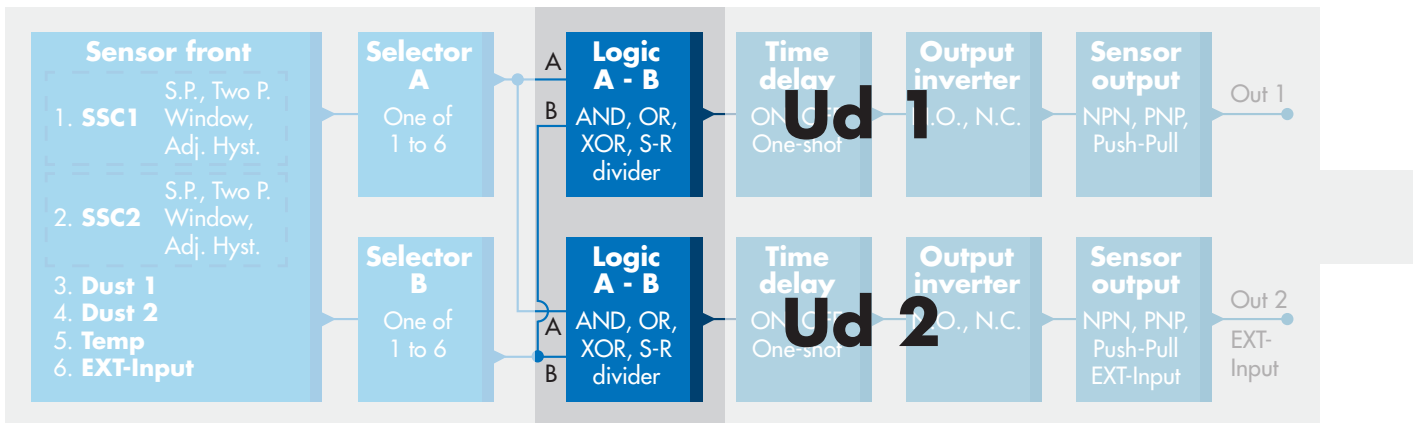


2.4.2. Indgangsvælger

Denne funktionsblok giver brugeren mulighed for at vælge et af signalerne fra "sensorfronten" til kanal A eller B.

Kanal A og B: Kan vælge imellem SSC1, SSC2, Støv1, Støv2, Temperaturalarm og ekstern indgang.

3

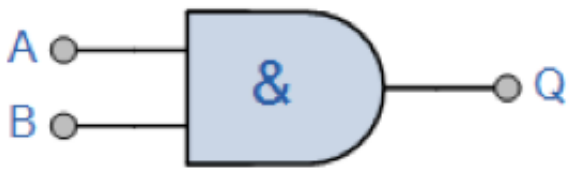


2.4.3. Logikfunktionsblok

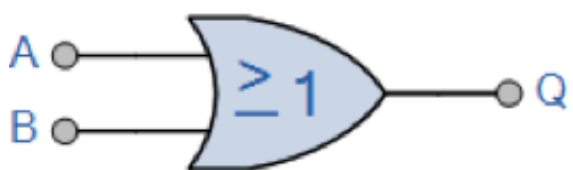
I logikfunktionsblokken kan de valgte signaler fra indgangsvælgeren tilføjes en logikfunktion direkte uden brug af en PLC – hvilket giver mulighed for decentral beslutningstagning.

De tilgængelige logikfunktioner er: AND, OR, XOR, SR-FF.

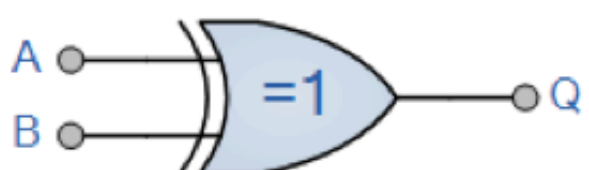
AND-funktion

Symbol	Sandtabel		
 <p>AND-gate med 2 indgange</p>	A	B	Q
	0	0	0
	0	1	0
	1	0	0
	1	1	1
Boolesk udtryk Q = A.B	Læs A OG B giver Q		

OR-funktion

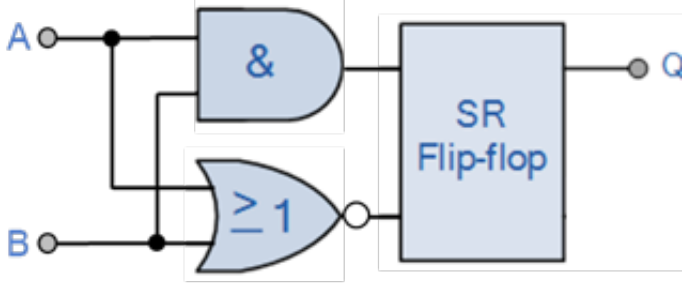
Symbol	Sandtabel		
 <p>OR-gate med 2 indgange</p>	A	B	Q
	0	0	0
	0	1	1
	1	0	1
	1	1	1
Boolesk udtryk Q = A + B	Læs som A ELLER B giver Q		

XOR-funktion

Symbol	Sandtabel		
 <p>XOR-gate med 2 indgange</p>	A	B	Q
	0	0	0
	0	1	1
	OR-gate med 2 indgange		1
	1	1	0
Boolesk udtryk Q = A ⊕ B	A ELLER B men IKKE BEGGE giver Q		

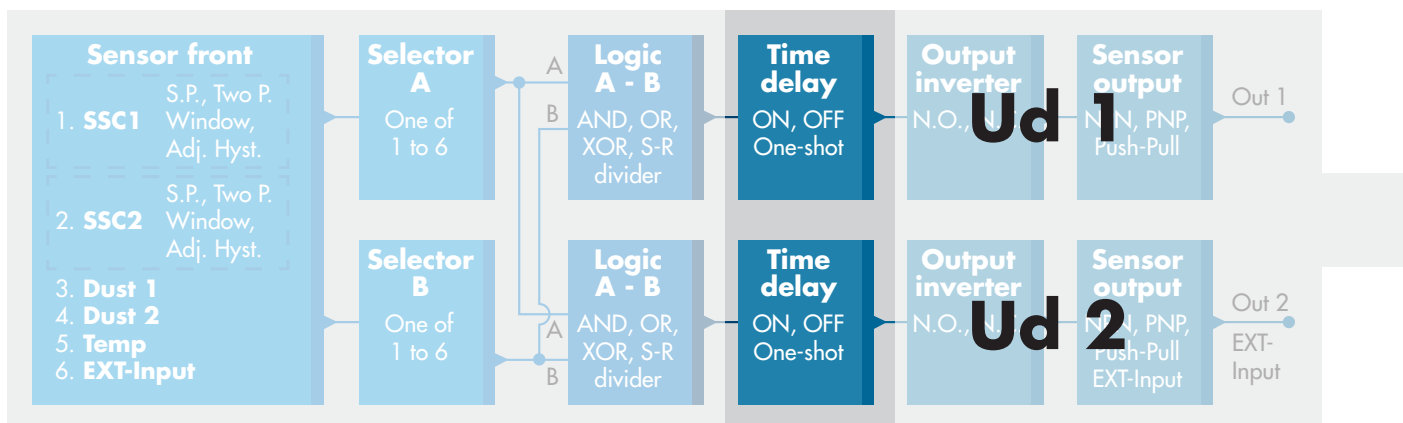
"SR-FF med gate"-funktion

Funktionen er beregnet til: F.eks. at fungere som fylde- eller tømme-funktion ved hjælp af kun to indbyrdes forbundne sensorer

Symbol	Sandtabel		
	A	B	Q
	0	0	0
	0	1	X
	1	0	X
	1	1	1

X – ingen ændringer på udgangen.

4



2.4.4. Timer (Kan indstilles individuelt for Ud1 og Ud2)

Timeren giver brugeren mulighed for at arbejde med forskellige timerfunktioner ved at redigere de 3 timerparametre:

- Timermodus
- Timerskala
- Timerværdi

2.4.4.1. Timermodus

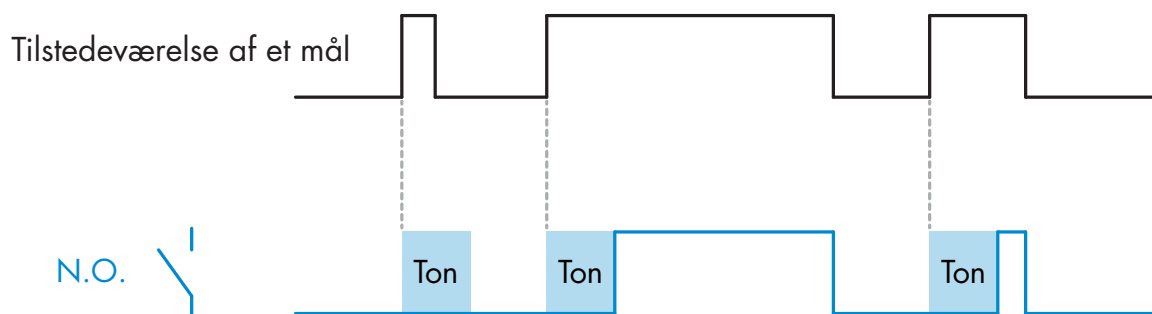
Vælger hvilken type timerfunktion der skal indføres på koblingsudgangen. En af nedenstående er mulig:

2.4.4.1.1. Deaktiveret

Denne valgmulighed deaktiverer timerfunktionen, uanset hvordan timerskalaen og timerforsinkelsen er konfigureret.

2.4.4.1.2. Tændeforsinkelse (T-on)

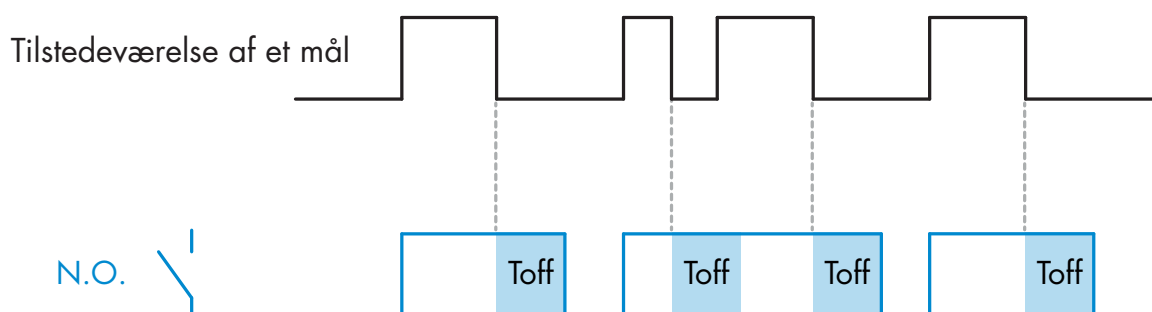
Aktiveringen af koblingsudgangen genereres efter den faktiske sensoraktivering som vist i nedenstående figur.



Eksempel med sluttende udgang

2.4.4.1.3. Slukkeforsinkelse (T-off)

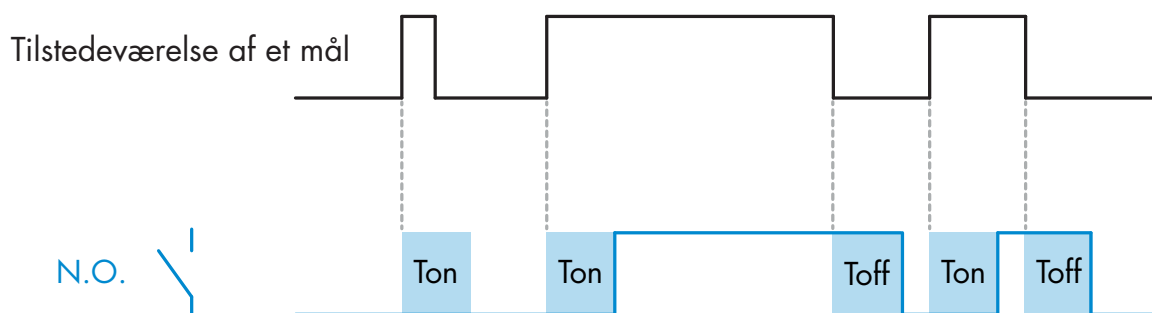
Deaktivering af koblingsudgangen forsinkes i forhold til tidspunktet for fjernelse af målet foran sensoren som vist i nedenstående figur.



Eksempel med sluttende udgang

2.4.4.1.4. Tænde- og slukkeforsinkelse (T-on og T-off)

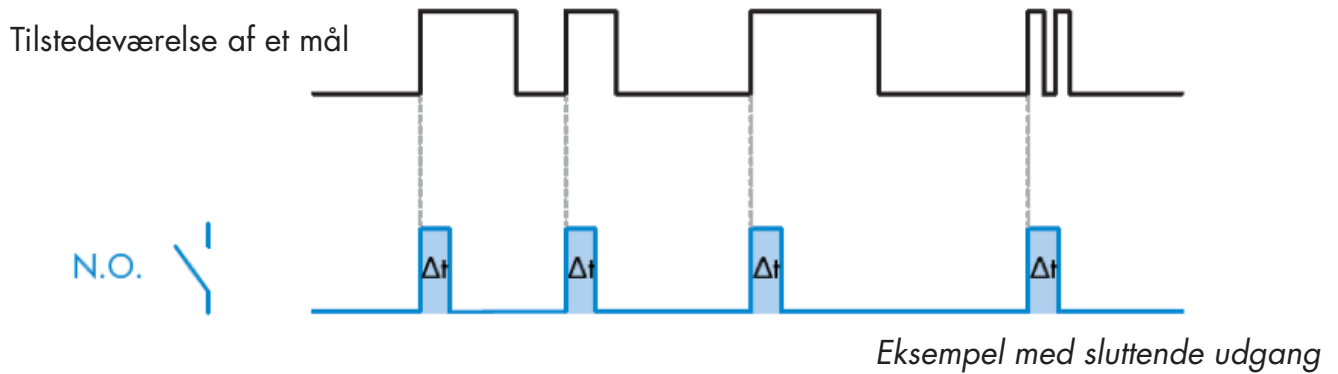
Hvis denne funktion vælges, anvendes både T-on- og T-off-forsinkelsen på genereringen af koblingsudgangen.



Eksempel med sluttende udgang

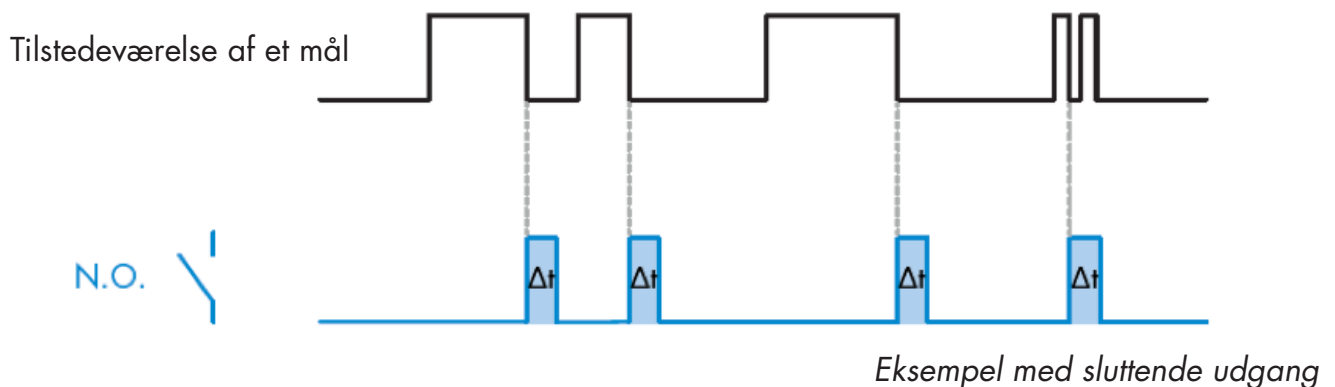
2.4.4.1.5. Monostabil forflanke

Hver gang et mål detekteres foran sensoren, genererer koblingsudgangen en impuls af konstant længde på detekteringsens forflanke. Se nedenstående figur.



2.4.4.1.6. Monostabil bagflanke

Svarer i funktion til monostabil forflanke-modus, men i denne modus skiftes koblingsudgangen på aktiveringens bagflanke som vist i nedenstående figur.

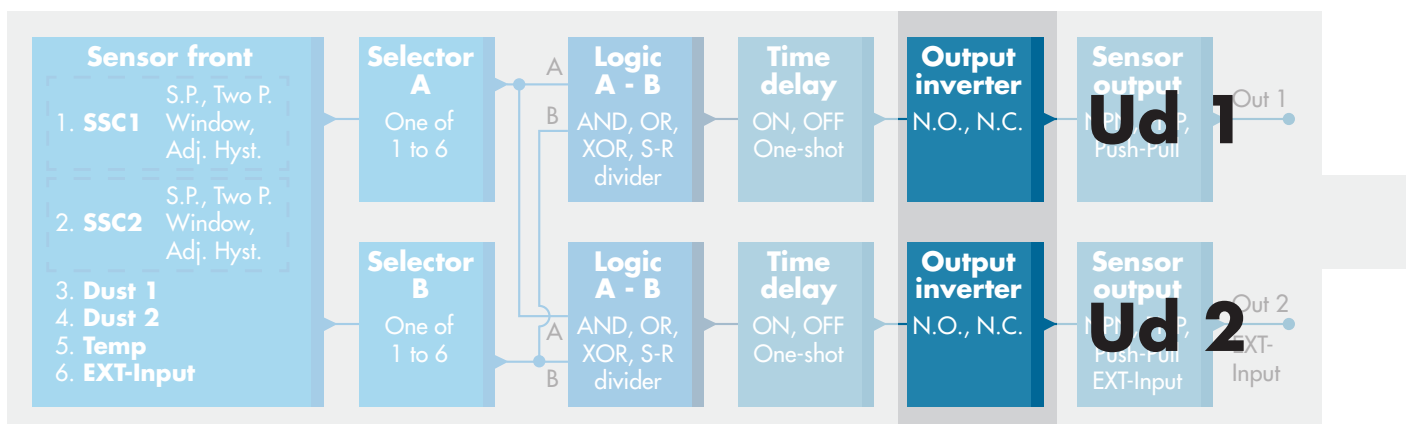


2.4.4.1.7. Timerskala

Parameteren definerer, hvorvidt forsinkelsen, der er specificeret i Timerforsinkelse, skal være i millisekunder, sekunder eller minutter.

2.4.4.1.8. Timer-værdi

Parameteren definerer forsinkelsens faktiske varighed. Forsinkelsen kan indstilles til en hvilken som helst heltalværdi imellem 1 og 32 767.



2.4.5. Udgangs-inverter

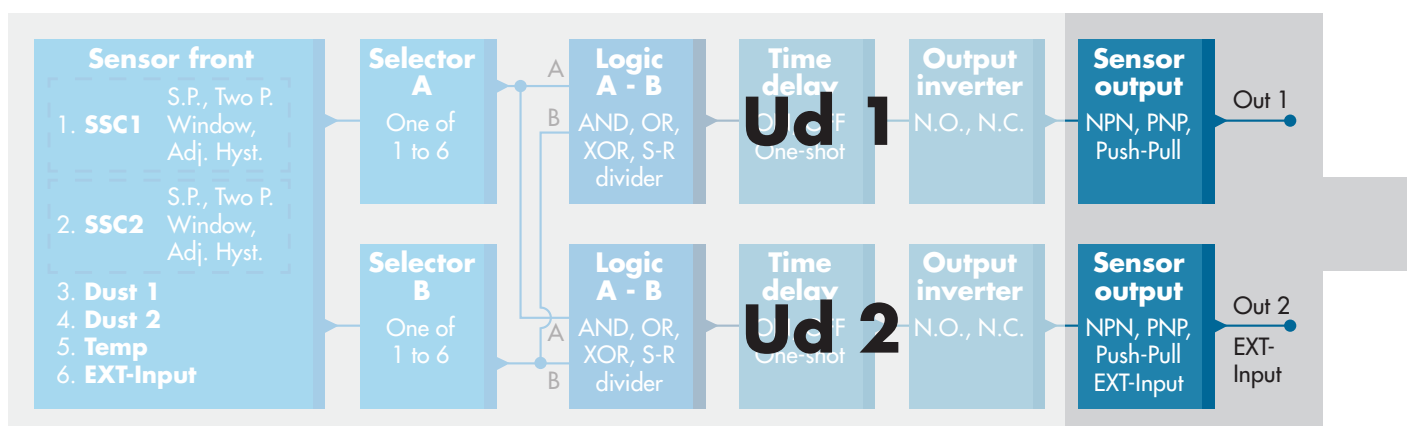
Denne funktion giver brugeren mulighed for at invertere funktionen på koblingsudgangen imellem Sluttende (NO) og Brydende (NC).

ANBEFALET FUNKTION!

Den anbefalede funktion fremgår af parametrene under 64 (0x40) underindeks 8 (0x08) for SO1 og 65 (0x41) underindeks 8 (0x08) for SO2 og har ikke nogen negativ indflydelse på logikfunktionerne eller sensorens timerfunktioner, da den tilføjes efter disse funktioner.

FORSIGTIG!

Koblingslogikfunktionen, der fremgår under 61 (0x3D) underindeks 1 (0x01) for SSC1 og 63 (0x3F) underindeks 1 (0x01) for SSC2, anbefales ikke benyttet, da den vil have negativ indvirkning på logikken eller timerfunktionerne. Denne funktion vil eksempelvis gøre en TÆND-forsinkelse til en SLUK-forsinkelse, da den tilføjes for SSC1 og SSC2 og ikke bare SO1 og SO2.



2.4.6. Udgangstrinmodus

I denne funktionsblok kan brugeren vælge, om koblingsudgangene skal fungere som:

SO1: Deaktiveret, NPN, PNP eller Push-Pull-konfiguration.

SO2: Deaktiveret, NPN, PNP, Push-Pull, ekstern indgang (aktiv høj/pull-down), ekstern indgang (aktiv lav/pull-up) eller ekstern indlæringsindgang.

2.5. Indlæringsprocedure

2.5.1. Ekstern indlæring (Teach-by-wire)

NB! Denne funktion fungerer i enkeltpunktmodus og kun for SP1 i SSC1.

Teach-by-wire skal konfigureres først ved hjælp af en IO-Link-master:

- Vælg: "2=Teach by wire" ved udvælgelsen af lokal-/fjernjusteringsparametre 68 (0x44).
- Vælg: "1=Enkeltpunktmodus" er allerede valgt i "SSC1-konfiguration" 61(0x3D), "Modus 1" 2(0x02), (denne værdi skulle allerede være indstillet som standard).
- Vælg: 6=Indlæring (aktiv høj) i kanal 2 (SO2) 65 (0x41) underindeks 1 (0x01).

Teach-by-wire-procedure

- Anbring målet foran sensoren, og slut teach-by-wire-indgangen (ben 2 hvid ledning) til V+ (ben 1 brun ledning). Den gule LED blinker med 1 Hz (TÆNDET 100 mS og SLUKKET OFF 900 mS).
- Inden for 3-6 sekunder skal ledningen afbrydes, og den gule LED blinker med 1 Hz (TÆNDET 900 mS og SLUKKET 100 mS).
- Efter vellykket indlæring blinker den LED med 2 Hz (TÆNDET 250 mS og SLUKKET 250 mS).

NB! Hvis indlæringsproceduren skal annulleres, må du ikke fjerne ledningen efter 3 til 6 sekunder, men i stedet skal du opretholde forbindelsen i 12 sek., indtil den gule LED blinker med 10 Hz (TÆNDET 50 mS og SLUKKET 50 mS).

2.5.2. Indlæring fra IO-Link-master

- Aktivering af indlæring fra IO-Link-master kræver, at trimmerindgangen først deaktiveres:
Vælg: "0=Deaktiveret" ved udvælgelsen af lokal-/fjernjusteringsparametre 68 (0x44).
- De individuelle teamkommandoer kan skrives til indeks 2.

2.5.2.1. Enkeltpunktmodus-procedure

Vælg koblingskanalen, der skal indlæres.

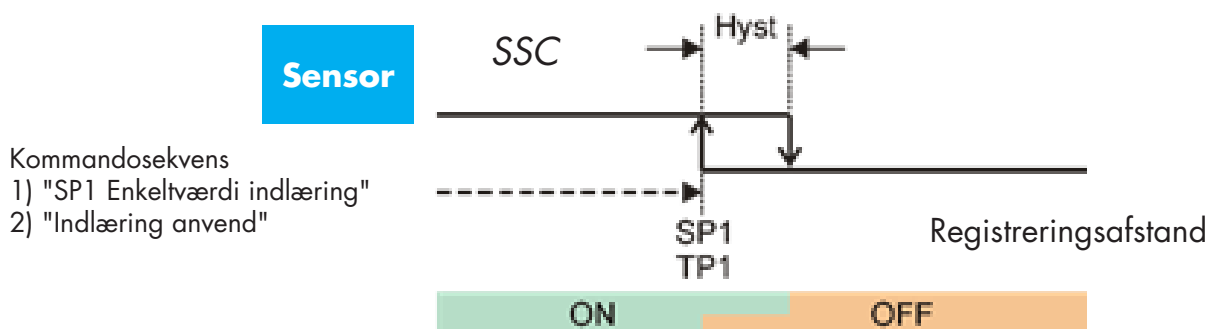
- Vælg: 1=SSC1 eller 2=SSC2 in the "Vælg indlæring" 58(0x3A) eller 255 = Alle SSC.
- Tilpas om nødvendigt hysteres for SSC1 eller SSC2.
 - "SSC1-konfiguration" 61(0x3D) "Hysteres" 3(0x03).
 - "SSC2-konfiguration" 62(0x3E) "Hysteres" 3(0x03).

NB! Det anbefales ikke at ændre hysteres til lavere værdier end dem, der fremgår af SSC-parameterlisten.

1) Enkeltværdi indlæringskommandosekvens:

#65"SP1 Enkeltværdi indlæring"

#64"Indlæring anvend" (valgfri kommando)

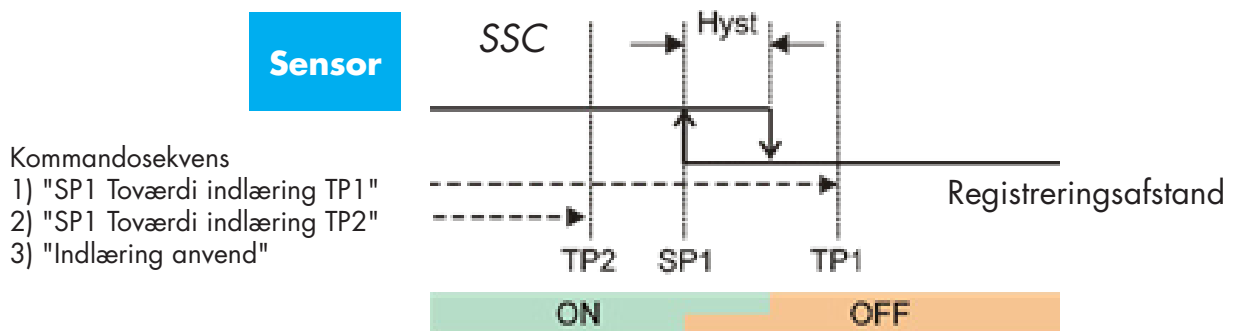


2) Dynamisk indlæringskommandosekvens

- #71 "SP1 dynamisk indlæring start"
- #72 "SP1 dynamisk indlæring stop"
- #64 "Indlæring anvend" (valgfri kommando)

3) Toværdi indlæringskommandosekvens

- #67 "SP1 toværdi indlæring TP1"
- #68 "SP1 toværdi indlæring TP2"
- #64 "Indlæring anvend" (valgfri kommando)

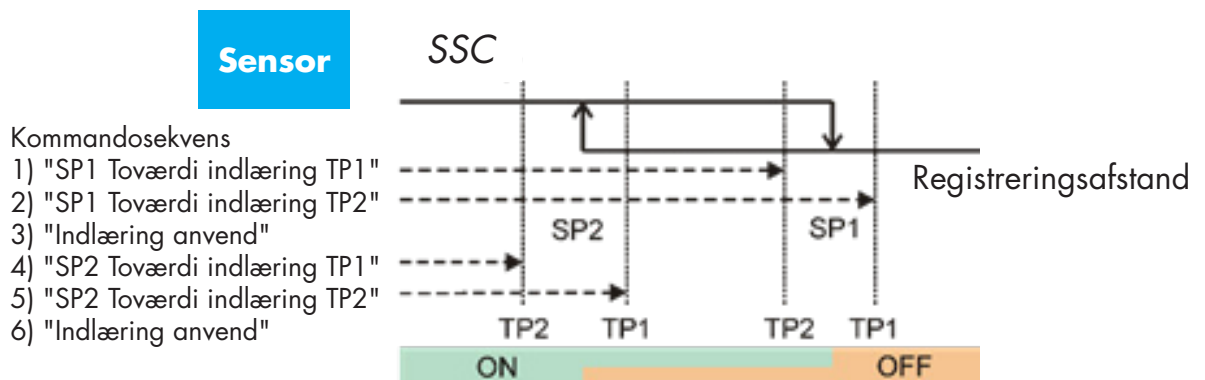


2.5.2.2. Topunktmodus-procedure

1) Toværdi indlæringskommandosekvens:

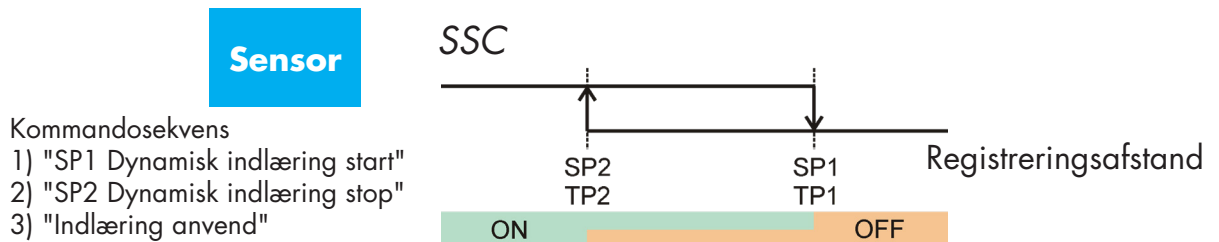
- #67 "SP1 toværdi indlæring TP1"
- #68 "SP1 toværdi indlæring TP2"
- #64 "Indlæring anvend" (valgfri kommando)

- #69 "SP2 toværdi indlæring TP1"
- #70 "SP2 toværdi indlæring TP2"
- #64 "Indlæring anvend" (valgfri kommando)



2) Dynamisk indlæringskommandosekvens:

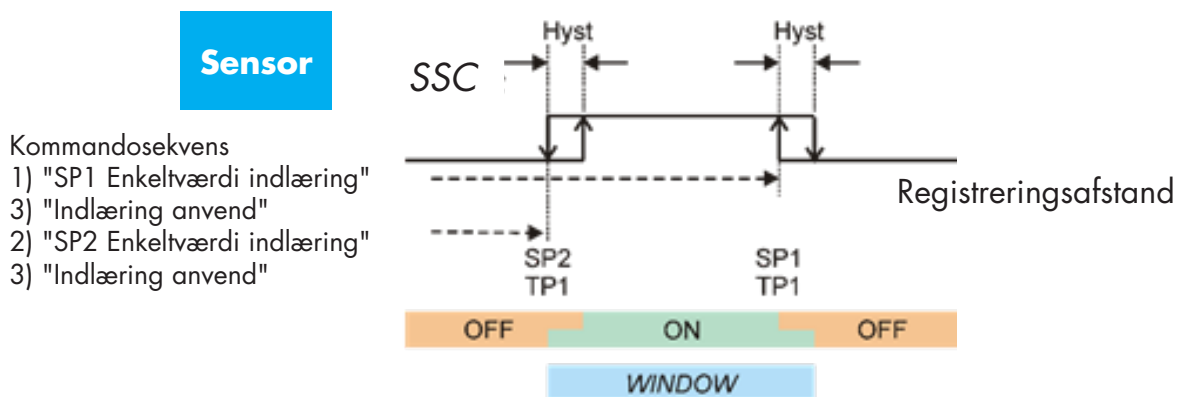
- #71 "SP1 dynamisk indlæring start"
- #72 "SP1 dynamisk indlæring stop"
- #73 "SP2 dynamisk indlæring start"
- #74 "SP2 dynamisk indlæring stop"
- #64 "Indlæring anvend" (valgfri kommando)



2.5.2.3. Vinduesmodusprocedure

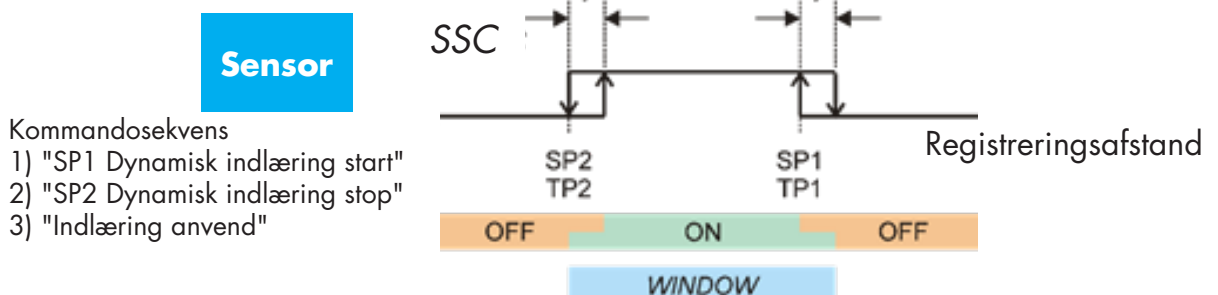
1) Enkeltværdi indlæringskommandosekvens:

- #65 "SP1 Enkeltværdi indlæring"
- #66 "SP2 Enkeltværdi indlæring"
- #64 "Indlæring anvend" (valgfri kommando)



2) Dynamisk indlæringskommandosekvens:

- #71 "SP1 dynamisk indlæring start"
- #72 "SP1 dynamisk indlæring stop"
- #73 "SP2 dynamisk indlæring start"
- #74 "SP2 dynamisk indlæring stop"
- #64 "Indlæring anvend" (valgfri kommando)



2.6. Sensorspecifikke justerbare parametre

Ud over parametrene, der er direkte relateret til udgangskonfigurationen, har sensoren også en række interne parametre, som er nyttige til opsætning og diagnose.

2.6.1. Valg af lokal justering eller fjernjustering

Der er mulighed for at vælge, hvordan registreringsafstanden skal defineres, ved enten at vælge trimmeren, Teach-by-wire via sensorens eksterne indgang eller deaktivere potentiometeret for at gøre sensoren manipulationssikker.

2.6.2. Procesdata og variable

Når sensoren betjenes i IO-Link-modus, har brugeren adgang til den cykliske procesdatavariabel.

Som standard viser procesdataene følgende parametre som aktive: 16 bit analog værdi, koblingsudgang 1 (SO1) og koblingsudgang 2 (SO2).

Følgende parametre kan indstilles som inaktive: SSC1, SSC2, DA1, DA2, TA, SC.

Ved ændring af procesdatakonfigurationsparameteren kan brugeren imidlertid vælge også at aktivere statussen for de inaktive parametre. På denne måde kan flere tilstande iagttages i sensoren på samme tid.

Byte 0	31	30	29	28	27	26	25	24
	MSB							
Byte 1	23	22	21	20	19	18	17	16
								LSB
Byte 2	15	14	13	12	11	10	9	8
			SC	TA	DA2	DA1	SSC2	SSC1
Byte 3	7	6	5	4	3	2	1	0
							SO2	SO1

4 Byte

Analog værdi 16 ... 31 (16 BIT)

2.6.3. Sensoranvendelsesindstilling

Sensoren har 3 forhåndsindstillinger, der afhænger af anvendelsen:

- Fuldt skalainterval, sensorens sætpunkter kan justeres inden for hele skalaen, og registreringshastigheden er indstillet til maks.
- Væskniveau skal bruges til langsomme genstande med en høj dielektrisk værdi som f.eks. detektering af vandbaserede væsker. Når denne funktion vælges, optimeres indlærings- og potentiometerindstillingerne til høj intervallskalering. I denne modus indstilles Filterskaleringen til 100.
- Plasticgranulat skal bruges til langsomme genstande med en lav dielektrisk værdi som f.eks. detektering af plasticgranulat. Når denne funktion vælges, optimeres indlærings- og potentiometerindstillingerne til lav intervallskalering. I denne modus indstilles Filterskaleringen til 100.

2.6.4. Temperaturalarm-tærskel

Temperaturen, hvorved temperaturarmen udløses, kan ændres for maks.- og min.-temperaturen. Dette betyder, at sensoren alarmerer, hvis maks.- eller min.-temperaturen overskrides. Temperaturerne kan indstilles imellem -50 °C og +150 °C. Standardindstillingerne fra fabrikken er, Lav tærskel -30 °C og høj tærskel +120 °C.

2.6.5. Sikre grænser

Sensoren har en indbygget sikkerhedsmargen, der hjælper med at justere registreringen op til sætpunkterne med tillæg af en sikkerhedsmargen. Fabriksindstillingerne er indstillet til to gange sensorens standardhysterese, for en CA18FAN...-sensor med hysterese på 15 % er sikkerhedsmargenen eksempelvis indstillet til 30 %.

Denne værdi kan indstilles individuelt fra 0 % til 100 % for SSC1 eller SSC2.

2.6.6. Hændelseskonfiguration

Temperaturhændelser transmitteret via IO-Link-grænsefladen er som standard slået fra i sensoren. Hvis brugeren ønsker at få oplysninger om kritiske temperaturer, der måtte blive detekteret i sensoranvendelsen, giver denne parameter mulighed for at aktivere og deaktivere følgende 5 hændelser:

- Temperaturfejlhændelse: Sensoren detekterer en temperatur uden for det specificerede driftsinterval.
- Temperaturoverskridelse: Sensoren detekterer temperaturer, der er højere end indstillingen for temperaturalarmtærskel.
- Temperaturunderskridelse: Sensoren detekterer temperaturer, der er lavere end indstillingen for temperaturalarmtærskel.
- Kortslutning: Sensoren detekterer, hvis sensorudgangen kortsluttes.
- Vedligeholdelse: Sensoren detekterer, om der er behov for vedligeholdelse, f.eks. om sensoren skal rengøres.

2.6.7. Kvalitet af kørsel QoR

Kvalitet af kørsel-værdien informerer om den faktiske registreringsdydeevne i forhold til sensorens sætpunkter, og jo højere værdien er, desto højere er kvaliteten af detekteringen.

Værdien for QoR kan variere og have en værdi fra 0 ... 255 %.

QoR-værdien opdateres for hver detekteringscyklus.

Eksempler på QoR fremgår af nedenstående tabel.

Kvalitet af kørsel-værdier	Definitioner
> 150 %	Fremragende registreringsbetingelser, sensoren forventes ikke at give vedligeholdelsesproblemer.
100 %	Gode registreringsbetingelser, sensoren arbejder så godt, som da sætpunkterne blev indlært eller konfigureret manuelt med en sikkerhedsmargen på to gange standardhysteresen. <ul style="list-style-type: none"> • Langsigtet driftssikkerhed forventes for alle omgivelsesbetingelser. • Vedligeholdelse forventes ikke at blive nødvendig.
50 %	Gennemsnitlige registreringsbetingelser. <ul style="list-style-type: none"> • Kortvarig driftssikkerhed og behov for vedligeholdelse forventes som følge af omgivelsesbetingelserne. • Driftssikker detektering kan forventes med begrænset indvirkning fra omgivelserne.
0 %	Dårlige til ikke driftssikkert fungerende registreringsbetingelser forventes.

2.6.8. Kvalitet af indlæring QoT

Kvalitet af indlæring-værdien oplyser om, hvor godt den egentlige indlæringsprocedure er udført, hvilket er ensbetydende med margenen imellem de faktiske sætpunkter og omgivelsernes indvirkning på sensoren.

Værdien for QoT kan variere og have en værdi fra 0 ... 255 %.

QoT-værdien opdateres efter hver indlæringsprocedure.

Eksempler på QoT fremgår af nedenstående tabel.

Kvalitet af indlæring-værdi	Definitioner
> 150 %	Fremragende indlæringsbetingelser, sensoren forventes ikke at give vedligeholdelsesproblemer.
100 %	Gode indlæringsbetingelser, sensoren er indlært med en sikkerhedsmargen på to gange standardhysteresen. <ul style="list-style-type: none"> • Langsigtet driftssikkerhed forventes for alle omgivelsesbetingelser. • Vedligeholdelse forventes ikke at blive nødvendig.
50 %	Gennemsnitlige indlæringsbetingelser. <ul style="list-style-type: none"> • Kortvarig driftssikkerhed og behov for vedligeholdelse forventes som følge af omgivelsesbetingelserne. • Driftssikker detektering kan forventes med begrænset indvirkning fra omgivelserne.
0 %	Dårligt indlæringsresultat. <ul style="list-style-type: none"> • Ikke driftssikkert fungerende registreringsbetingelser forventes. (F.eks. for lille målemargen imellem målet og omgivelserne.)

2.6.9. Filterskalering

Denne funktion kan forbedre immuniteten over for instabile mål og elektromagnetiske forstyrrelser: Værdien kan indstilles fra 1 til 255, standardindstillingen fra fabrikken er 1.

En filterindstilling på 1 giver den maksimale registreringsfrekvens, mens en indstilling på 255 giver den mindste registreringsfrekvens.

2.6.10. LED-indikering

LED-indikeringen kan konfigureres i 3 forskellige modi: Inaktiv, Aktiv eller Find min sensor.

Inaktiv: LED'erne er altid slukket

Aktiv: LED'erne følger indikeringssystemet beskrevet i 5.1.

Find min sensor: LED'erne blinker vekslende med 2 Hz med 50 % driftscyklus, så det er nemt at finde sensoren.

2.7. Diagnoseparametre

2.7.1. Driftstimer

Sensoren har en indbygget tæller, der logger hver hele time, hvor sensoren har været i drift. Det maksimale antal timer, der kan registreres, er 2 147 483 647 timer, og denne værdi kan læses fra en IO-Link-master.

2.7.2. Antal tænd/sluk-cykluser [cykluser]

Sensoren har en indbygget tæller, der logger hver gang sensoren tændes. Værdien gemmes hver time, og det maksimale antal tænd/sluk-cykluser der kan registreres, er 2 147 483 647 cykluser. Denne værdi kan læses fra en IO-Link-master.

2.7.3. Maks. temperatur – absolut højeste [°C]

Sensoren har en indbygget funktion, der logger den højeste temperatur, som sensoren har været udsat for i løbet af hele dens driftslevetid. Denne parameter opdateres en gang i timen og kan læses fra en IO-Link-master.

2.7.4. Min. temperatur – absolut laveste [°C]

Sensoren har en indbygget funktion, der logger den laveste temperatur, som sensoren har været udsat for i løbet af hele dens driftslevetid. Denne parameter opdateres en gang i timen og kan læses fra en IO-Link-master.

2.7.5. Maks. temperatur siden sidste opstart [°C]

Fra denne parameter kan brugeren få oplysninger om, hvad den højeste temperatur har været siden opstarten. Denne værdi gemmes ikke i sensoren.

2.7.6. Min. temperatur siden sidste opstart [°C]

Fra denne parameter kan brugeren få oplysninger om, hvad den laveste temperatur har været siden opstarten. Denne værdi gemmes ikke i sensoren.

2.7.7. Aktuelle temperatur [°C]

Fra denne parameter kan brugeren få oplysninger om den aktuelle temperatur i sensoren.

2.7.8. Detekteringstæller [cykluser]

Sensoren logger, hver gang SSC1 skifter tilstand. Denne parameter opdateres en gang i timen og kan læses fra en IO-Link-master.

2.7.9. Minutter over maks. temperatur [min]

Sensoren logger, i hvor mange minutter sensoren har været i drift over maks.-temperaturen for sensoren, og det maksimale antal minutter, der kan registreres, er 2 147 483 647. Denne parameter opdateres en gang i timen og kan læses fra en IO-Link-master.

2.7.10. Minutter under min. temperatur [min]

Sensoren logger, i hvor mange minutter sensoren har været i drift under min.-temperaturen for sensoren, og det maksimale antal minutter, der kan registreres, er 2 147 483 647. Denne parameter opdateres en gang i timen og kan læses fra en IO-Link-master.

2.7.11. Vedligeholdelseshændelsestæller

Sensoren logger, hvor mange gange hændelsestælleren har anmodet om vedligeholdelse, og det maksimale antal hændelser, der kan registreres, er 2 147 483 647 gange. Denne parameter opdateres en gang i timen og kan læses fra en IO-Link-master.

2.7.12. Download-tæller

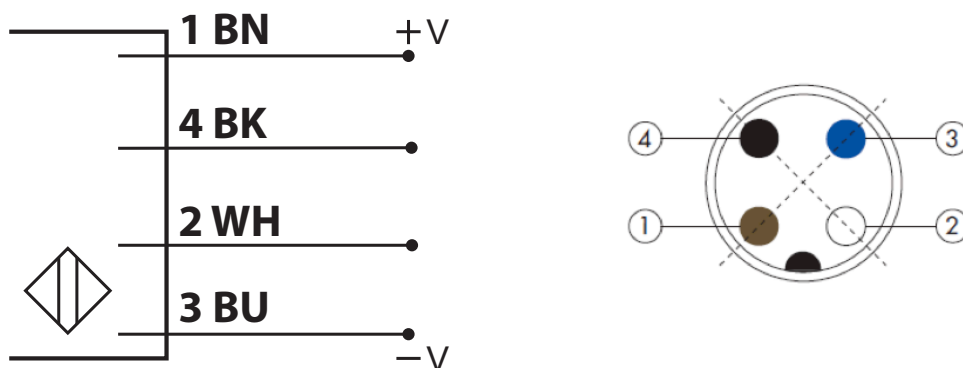
Sensoren logger, hvor mange gange parametrene er blevet ændret i sensoren, og det maksimale antal ændringer, der kan registreres, er 65 536 gange. Denne parameter opdateres en gang i timen og kan læses fra en IO-Link-master.

BEMÆRK!

Temperaturen, der måles af sensoren, vil altid være højere end omgivelsestemperaturen, hvilket skyldes intern opvarmning.

Forskellen imellem omgivelsestemperaturen og den interne temperatur påvirkes af måden, som sensoren er monteret på i anvendelsen. Hvis sensoren er monteret i et metalbeslag, vil forskellen være mindre, end hvis den er monteret i et plasticbeslag.

3. Ledningsdiagrammer



BEN	Farve	Signal	Beskrivelse
1	Brun	10 til 40 VDC	Sensorforsyning
2	Blå	GND	Jord
3	Sort	Belastning	IO-Link / Udgang 1 / SIO-modus
4	Hvid	Belastning	Udgang 2 / SIO-modus / Ekstern indgang / Ekstern indlæring

4. Idrifttagning

50 ms efter at strømforsyningen er slået til, er sensoren driftsklar.

Hvis den er sluttet til en IO-Link-master, er ingen yderligere indstilling nødvendig, og IO-Link-kommunikationen starter automatisk, efter at IO-Link-masteren sender en vækkeanmodning til sensoren.

5. Drift

5.1. Brugergrenseflade på CA18FA...IO og CA30FA... IO

CA18FA...IO- og CA30FA...IO-sensorerne er udstyret med en gul og en grøn LED.

Grøn LED	Gul LED	Strøm	Detektering
SIO og IO-Link-modus			
TÆNDT	TÆNDT	TÆNDT	TÆNDT (Stabil)* SSC1
TÆNDT	SLUKKET	TÆNDT	SLUKKET (Stabil)* SSC1
SLUKKET	TÆNDT	-	TÆNDT (Ikke stabil) SSC1
SLUKKET	SLUKKET	-	SLUKKET (Ikke stabil) SSC1
-	Blinkende 10 Hz 50 % arbejdscyklus	TÆNDT	Udgang kortslutning
-	Blinkende (0,5 ... 20 Hz)	TÆNDT	Timerindikering
Kun SIO-modus			
-	Blinkende 1 Hz TÆNDT 10 % arbejdscyklus SLUKKET 90 % arbejdscyklus	TÆNDT	Ekstern indlæring via ledning. Kun i enkeltpunktmodus
-	Blinkende 1 Hz TÆNDT 90 % arbejdscyklus SLUKKET 10 % arbejdscyklus	TÆNDT	Indlæsningsvindue (3-6 sek.)
-	Blinkende 10 Hz TÆNDT 10 % arbejdscyklus SLUKKET 50 % arbejdscyklus	TÆNDT	Indlærings-timeout (12 sek.)
-	Blinkende 2 Hz TÆNDT 10 % arbejdscyklus SLUKKET 50 % arbejdscyklus	TÆNDT	Indlæring vellykket
Kun IO-Link-modus			
Blinkende 1 Hz Stabil: TÆNDT 90 % arbejdscyklus SLUKKET 10 % arbejdscyklus Ikke stabil: TÆNDT 10 % arbejdscyklus SLUKKET 90 % arbejdscyklus	-	TÆNDT	Sensoren er i IO_Link-modus
Blinkende 2 Hz 50 % arbejdscyklus		TÆNDT	Find min sensor

* Mulighed for at deaktivere begge LED'er

6. IODD-fil og fabriksindstilling

6.1. IODD-fil til en IO-Link-enhed

Alle sensorens funktioner, enhedsparametre og indstillingsværdier samles i en fil, der kaldes en I/O-enhedsbeskrivelse (IODD-fil). IODD-filen er nødvendig for at etablere kommunikation imellem IO-Link-masteren og sensoren. Enhver leverandør af en IO-Link-enhed skal levere denne fil og gøre den tilgængelig til download på webstedet. Filen er komprimeret, så det er vigtigt at dekomprimere den. IODD-filen indeholder:

- proces- og diagnosedata
- parameterbeskrivelse med navnet, det tilladte interval, datatypen og adressen (indeks og underindeks)
- kommunikationsegenskaber, inkl. enhedens mindste cyklistid
- enhedsidentitet, artikelnummer, billede af enheden og producentens logo

IODD-filen er tilgængelig på Carlo Gavazzis websted: tbd

6.2. Fabriksindstillinger

Standardværdierne fra fabrikken fremgår af bilag 7 under standardværdier.

7. Bilag

7.1. Akronymmer

DA	Støvalarm
HeltalT	Heltal med fortegn
OktetStrengT	Række af oktetter
PDV	Procesdatavariabel
R/W	Læse og skrive
RO	Kun læse
SO	Koblingsudgang
SP	Sætpunkt
SSC	Koblingssignalkanal
StrengT	Streng af ASCII-tegn
TA	Temperaturalarm
UHeltalT	Heltal uden fortegn
WO	Kun skrive

7.2. IO-Link-enhedsparemetre til CA18FA.. og CA30FA..

7.2.1. Enhedsparemetre

Parameternavn	Indeks Dec (Hex)	Adgang	Standardværdi	Datainterval	Datatype	Længde
Leverandørnavn	16 (0x10)	RO	Carlo Gavazzi	-	StrengT	20 Byte
Leverandørtekst	17 (0x11)	RO	www.gavazziautomation.com	-	StrengT	26 Byte
Produktnavn	18 (0x12)	RO	(Sensornavn) f.eks. CA30FAN25BPA210	-	StrengT	20 Byte
Produkt-ID	19 (0x13)	RO	(produktets EAN-kode) f.eks. 5709870394046	-	StrengT	13 Byte
Produkttekst	20 (0x14)	RO	Kapacitiv nærhedssensor	-	StrengT	30 Byte
Serienummer	21 (0x15)	RO	(Unikt serienummer) f.eks. LR24101830834	-	StrengT	13 Byte
Hardware-revision	22 (0x16)	RO	(Hardware-revision) f.eks. v01.00	-	StrengT	6 Byte
Firmware-revision	23 (0x17)	RO	(Software-revision) f.eks. v01.00	-	StrengT	6 Byte
Anvendelsesspecifikt mærke	24 (0x18)	RW	***	Vilkårlig streng på op til 32 tegn	StrengT	maks. 32 Byte
Funktionstag	25 (0x19)	RW	***	Vilkårlig streng på op til 32 tegn	StrengT	maks. 32 Byte
Lokaliseringstag	26 (0x1A)	RW	***	Vilkårlig streng på op til 32 tegn	StrengT	maks. 32 Byte
Fejlantal	32 (0x20)	RO	0	0..65 535	HeltalT	16 bit
Enhedsstatus	36 (0x24)	RO	0 = Enheden arbejder korrekt	0 = Enheden arbejder korrekt 1 = Vedligeholdelse påkrævet 2 = Uden for specifikation 3 = Funktionskontrol 4 = Fejl	UHeltalT	8 bit
Detaljeret enhedsstatus	37 (0x25)		-	-		3 Byte
Temperaturfejl	-	RO	-	-	OktetStrengT	3 Byte
Temperaturoverskridelse	-	RO	-	-	OktetStrengT	3 Byte
Temperaturunderskridelse	-	RO	-	-	OktetStrengT	3 Byte
Kortslutning	-	RO	-	-	OktetStrengT	3 Byte
Vedligeholdelse påkrævet	-	RO	-	-	OktetStrengT	3 Byte
Procesdataindgang	40 (0x28)	RO	-	-	HeltalT	32 bit

7.2.2. SSC-parametre

Parameternavn	Indeks Dec (Hex)	Adgang	Standardværdi	Datainterval	Datatype	Længde
Indlæring vælg	58 (0x3A)	RW	1 = Koblingssignalkanal 1	0 = Standardkanal 1 = Aftastningskanal 1 2 = Aftastningskanal 2 255 = Alle SSC	UHeltaT	8 bit
Indlæring resultat	59 (0x3B)	-	-	-	PostT	8 bit
Indlæring tilstand	1 (0x01)	RO	0 = Klar	0 = Klar 1 = Succes 4 = Afvent kommando 5 = Optaget 7 = Fejl	-	-
Flag SP1 TP1 Indlæringspunkt 1 til setpunkt 1	2 (0x02)	RO	0 = Ikke OK	0 = Ikke OK 1 = OK	-	-
Flag SP1 TP2 Indlæringspunkt 2 til setpunkt 1	3 (0x03)	RO	0 = Ikke OK	0 = Ikke OK 1 = OK	-	-
Flag SP2 TP1 Indlæringspunkt 1 til setpunkt 2	4 (0x04)	RO	0 = Ikke OK	0 = Ikke OK 1 = OK	-	-
Flag SP2 TP2 Indlæringspunkt 2 til setpunkt 2	5 (0x05)	RO	0 = Ikke OK	0 = Ikke OK 1 = OK	-	-
SSC1-parameter (koblingssignalkanal)	60 (0x3C)		-	-	-	-
Setpunkt 1 (SP1)	1 (0x01)	R/W	1 000	0 ... 10 000	HeltaT	16 bit
Setpunkt 2 (SP2)	2 (0x02)	R/W	10 000	0 ... 10 000	HeltaT	16 bit
SSC1-konfiguration (koblingssignalkanal)	61 (0x3D)	-	-	-	-	-
Koblingslogik 1	1 (0x01)	R/W	0 = Høj aktiv	0 = Høj aktiv 1 = Lav aktiv	UHeltaT	8 bit
Modus 1	2 (0x02)	R/W	1 = Enkeltpunktmodus	0 = Deaktiveret 1 = Enkeltpunktmodus 2 = Vinduesmodus 3 = Topunktmodus	UHeltaT	8 bit
Hysterese 1	3 (0x03)	R/W	CA18FAF 6 % CA18FAN 15 % CA30FAF 7 % CA30FAN 10 %	1 ... 100	UHeltaT	16 bit
SSC2-parameter	62 (0x3E)		-	-	-	-
Sætpunkt 1 (SP1)	1 (0x01)	R/W	1 000	0 ... 10 000	HeltaT	16 bit
Sætpunkt 2 (SP2)	2 (0x02)	R/W	10 000	0 ... 10 000	HeltaT	16 bit
SSC2-konfiguration	63 (0x3F)				UHeltaT	8 bit
Koblingslogik 2	1 (0x01)	R/W	0 = Høj aktiv	0 = Høj aktiv 1 = Lav aktiv	UHeltaT	8 bit
Modus 2	2 (0x02)	R/W	1 = Enkeltpunktmodus	0 = Deaktiveret 1 = Enkeltpunktmodus 2 = Vinduesmodus 3 = Topunktmodus	UHeltaT	8 bit
Hysterese 2	3 (0x03)	R/W	CA18FAF 6 % CA18FAN 15 % CA30FAF 8 % CA30FAN 10 %	1 ... 100	UHeltaT	16 bit

7.2.3. Udgangsparametre

Parameternavn	Indeks Dec (Hex)	Adgang	Standardværdi	Datainterval	Datatype	Længde
Kanal 1 (S01)	64 (0x40)					
Udgangstrin - tilstand 1	1 (0x01)	R/W	1 = PNP-udgang	0 = Deaktiveret udgang 1 = PNP-udgang 2 = NPN-udgang 3 = Push-pull-udgang	UHeltaT	8 bit
Indgangsvælger 1	2 (0x02)	R/W	1 = SSC 1	0 = Deaktiveret 1 = SSC 1 2 = SSC 2 3 = Støvalarm 1 (DA1) 4 = Støvalarm 2 (DA2) 5 = Temperaturalarm (TA) 6 = Ekstern logikindgang	UHeltaT	8 bit
Timer 1 – Modus	3 (0x03)	R/W	0 = Deaktiveret timer	0 = Deaktiveret timer 1 = T-on-forsinkelse 2 = T-off-forsinkelse 3 = T-on/T-off-forsinkelse 4 = Monostabil forflanke 5 = Monostabil bagflanke	UHeltaT	8 bit
Timer 1 – Skala	4 (0x04)	R/W	0 = Millisekunder	0 = Millisekunder 1 = Sekunder 2 = Minutter	UHeltaT	8 bit
Timer 1 – Værdi	5 (0x05)	R/W	0	0 til 32'767	HeltaT	16 bit
Logikfunktion 1	7 (0x07)	R/W	0 = Direkte	0 = Direkte 1 = AND 2 = OR 3 = XOR 4 = Gated SR-FF	UHeltaT	8 bit
Udgangs-inverter 1	8 (0x08)	R/W	0 = Ikke inverteret (N.O.)	0 = Ikke inverteret (sluttende) 1 = Inverteret (brydende)	UHeltaT	8 bit
Kanal 2 (S02)	65 (0x41)					
Udgangstrin - tilstand 2	1 (0x01)	R/W	1 = PNP-udgang	0 = Deaktiveret udgang 1 = PNP-udgang 2 = NPN-udgang 3 = Push-Pull-udgang 4 = Digital logik-indgang (Aktiv høj/pull-down) 5 = Digital logik-indgang (Aktiv lav/pull-up) 6 = Indlæring (aktiv høj)	UHeltaT	8 bit
Indgangsvælger 2	2 (0x02)	R/W	1 = SSC 1	0 = Deaktiveret 1 = SSC 1 2 = SSC 2 3 = Støvalarm 1 (DA1) 4 = Støvalarm 2 (DA2) 5 = Temperaturalarm (TA) 6 = Ekstern logik-indgang	UHeltaT	8 bit
Timer 2 – Modus	3 (0x03)	R/W	0 = Deaktiveret timer	0 = Deaktiveret timer 1 = T-on-forsinkelse 2 = T-off-forsinkelse 3 = T-on/T-off-forsinkelse 4 = Monostabil forflanke 5 = Monostabil bagflanke	UHeltaT	8 bit
Timer 2 – Skala	4 (0x04)	R/W	0 = Millisekunder	0 = Millisekunder 1 = Sekunder 2 = Minutter	UHeltaT	8 bit
Timer 2 – Værdi	5 (0x05)	R/W	0	0 til 32'767	HeltaT	16 bit
Logikfunktion 2	7 (0x07)	R/W	0 = Direkte	0 = Direkte 1 = AND 2 = OR 3 = XOR 4 = Gated SR-FF	UHeltaT	8 bit
Udgangs-inverter 2	8 (0x08)	R/W	1 = Inverteret (brydende)	0 = Ikke inverteret (sluttende) 1 = Inverteret (brydende)	UHeltaT	8 bit

7.2.4. Sensorspecifikke justerbare parametre

Parameternavn	Indeks Dec (Hex)	Adgang	Standardværdi	Datainterval	Datatype	Længde
Valg af lokal justering/fjernjustering	68 (0x44)	RW	1 = Trimmerindgang	0 = Deaktiveret 1 = Trimmerindgang 2 = Teach-by-wire	UheltaT	8 bit
Trimmerværdi	69 (0x45)	RO		10 ... 10 000		
Procesdatakonfiguration	70 (0x46)	RW			PostT	16 bit
Analog værdi	1 (0x01)	RW	1 = Analog værdi aktiv	0 = Analog værdi inaktiv 1 = Analog værdi aktiv		
Udgang 1	2(0x02)	RW	1 = Koblingsudgang 1 aktiv	0 = Udgang 1 inaktiv 1 = Udgang 1 aktiv		
Udgang 2	3 (0x03)	RW	1 = Koblingsudgang 2 aktiv	0 = Udgang 2 inaktiv 1 = Udgang 2 aktiv		
Aftastningskanal 1	4 (0x04)	RW	0 = SSC1 inaktiv	0 = SSC1 inaktiv 1 = SSC1 aktiv		
Aftastningskanal 2	5 (0x05)	RW	0 = SSC2 inaktiv	0 = SSC2 inaktiv 1 = SSC2 aktiv		
Støvalarm 1	6 (0x06)	RW	0 = DA1 inaktiv	0 = DA1 inaktiv 1 = DA1 aktiv		
Støvalarm 2	7 (0x07)	RW	0 = DA2 inaktiv	0 = DA2 inaktiv 1 = DA2 aktiv		
Temperaturalarm	8 (0x08)	RW	0 = TA inaktiv	0 = TA inaktiv 1 = TA aktiv		
Kortslutning	9 (0x09)	RW	0 = SC inaktiv	0 = SC inaktiv 1 = SC aktiv		
Sensoranvendelse forudindstillet	71 (0x47)	R/W	0 = Fuldt skalainterval	0 = Fuldt skalainterval 1 = Væskeniveau 2 = Plastgranulat	UheltaT	8 bit
Temperaturalarm-tærskel	72 (0x48)	R/W			PostT	30 bit
Høj tærskel	1 (0x01)	R/W	120	-50 til 150 [°C]	HeltaT	16 bit
Lav tærskel	2 (0x02)	R/W	- 30	-50 til 150 [°C]	HeltaT	16 bit
Sikre TÆND/SLUK-grænser	73 (0x49)	R/W			PostT	16 bit
SSC 1 – Sikker grænse	1 (0x01)	R/W	2 x standardhysterese	0 ... 100	UheltaT	8 bit
SSC 2 – Sikker grænse	2(0x02)	R/W	2 x standardhysterese	0 ... 100	UheltaT	8 bit
Hændelseskonfiguration	74 (0x4A)	R/W			PostT	16 bit
Vedligeholdelse (0x8C30)	1 (0x01)	R/W	0 = Vedligeholdelse Anmeldelse – inaktiv	0 = Anmeldelse inaktiv 1 = Anmeldelse aktiv		
Temperaturfejlhændelse (0x4000)	2 (0x02)	R/W	0 = Temperaturfejl Fejlhændelse – inaktiv	0 = Fejlhændelse inaktiv 1 = Fejlhændelse aktiv		
Temperaturoverskridelse (0x4210)	3 (0x03)	R/W	0 = Temperaturoverskridelse Advarselhændelse – inaktiv	0 = Advarselhændelse inaktiv 1 = Advarselhændelse aktiv		
Temperaturunderskridelse (0x4220)	4 (0x04)	R/W	0 = Temperaturunderskridelse Advarselhændelse – inaktiv	0 = Advarselhændelse inaktiv 1 = Advarselhændelse aktiv		
Kortslutning (0x7710)	5 (0x05)	R/W	0 = Kortslutning Fejlhændelse – inaktiv	0 = Fejlhændelse inaktiv 1 = Fejlhændelse aktiv		
Kvalitet af indlæring	75 (0x4B)	RO	-	0 ... 255	UheltaT	8 bit
Kvalitet af kørsel	76 (0x4C)	RO	-	0 ... 255	UheltaT	8 bit
Filterskalering	77 (0x4D)	R/W	1	1 ... 255	UheltaT	8 bit
LED-indikering	78 (0x4E)	R/W	1 = LED-indikering aktiv	0 = LED-indikering inaktiv 1 = LED-indikering aktiv 2 = Find min sensor	UheltaT	8 bit

7.2.5. Diagnoseparametre

Parameternavn	Indeks Dec (Hex)	Adgang	Standardværdi	Datainterval	Datatype	Længde
Driftstimer	201 (0xC9)	RO	0	0 ... 2 147 483 647 [h]	HeltalT	32 bit
Antal effektcyklusser	202 (0xCA)	RO	0	0 ... 2 147 483 647	HeltalT	32 bit
Maksimumtemperatur - siden idriftsættelse	203 (0xCB)	RO	0	-50 til 150 [°C]	HeltalT	16 bit
Minimumtemperatur - siden idriftsættelse	204 (0xCC)	RO	0	-50 til 150 [°C]	HeltalT	16 bit
Maksimumtemperatur siden opstart	205 (0xCD)	RO	-	-50 til 150 [°C]	HeltalT	16 bit
Minimumtemperatur siden opstart	206 (0xCE)	RO	-	-50 til 150 [°C]	HeltalT	16 bit
Aktuel temperatur	207 (0xCF)	RO	-	-50 til 150 [°C]	HeltalT	16 bit
Detektionstæller SSCI	210 (0xD2)	RO	-	0 ... 2 147 483 647	HeltalT	32 bit
Minutter over maksimumtemperatur	211 (0xD3)	RO	-	0 ... 2 147 483 647 [min]	HeltalT	32 bit
Minutter under minimumtemperatur	212 (0xD4)	RO	-	0 ... 2 147 483 647 [min]	HeltalT	32 bit
Vedligeholdelseevent-tæller	213 (0xD5)	RO	0	0 ... 2 147 483 647	HeltalT	32 bit
Download tæller	214 (0xD6)	RO	0	0 ... 65 536	UheltalT	16 bit



CARLO GAVAZZI

IO-Link

电容式传感器

CA18FA, CA30FA

Instruction manual

Betriebsanleitung

Manuel d'instructions

Manual de instrucciones

Manuale d'istruzione

Brugervejledning

使用手册

Carlo Gavazzi Industri Over Hadstenvej 40, 8340 Hadsten, Denmark

目录

1. 简介	184
1.1 说明	184
1.2 文档有效性	184
1.3 本文档使用者	184
1.4 使用产品	184
1.5 安全预防措施	184
1.6 其他文档	184
1.7 首字母缩略词	185
2. 产品	186
2.1. 主要功能	186
2.2. 识别号	186
2.3. 工作模式	187
2.3.1. SIO 模式	187
2.3.2. IO-Link 模式	187
2.4. 输出参数	188
2.4.1. 传感器正面	188
2.4.2. 输入选择器	191
2.4.3. 逻辑功能块	191
2.4.4. 定时器 (可以为 Out1 和 Out2 单独设置)	193
2.4.5. 输出逆变器	196
2.4.6. 输出阶段模式	196
2.5. 教导程序	197
2.5.1. 外部教导 (通过导线教导)	197
2.5.2. 从 IO-Link 主系统教导	197
2.6. 传感器特定可调参数	200
2.6.1. 本地或远程调整的选择	200
2.6.2. 过程数据和变量	200
2.6.3. 传感器应用设置	200
2.6.4. 温度警报阈值	200
2.6.5. 安全限制	201
2.6.6. 事件配置	201
2.6.7. 运行质量 QoR	201
2.6.8. 教导质量 QoT	202
2.6.9. 过滤器定标器	202
2.6.10. LED 指示	202
2.7. 诊断参数	203
3. 接线图	204
4. 调试	204
5. 工作	205
5.1. CA18FA...IO and CA30FA... IO 的用户界面	205
6. IODD 文件和出厂设置	206
6.1. IO-Link 设备的 IODD 文件	206
6.2. 出厂设置	206
7. 附录	206
7.1. 首字母缩略词	206
7.2. CA18FA.. 和 CA30FA.. 的 IO-Link 设备参数	207
7.2.1. 设备参数	207
7.2.2. SSC 参数	208
7.2.3. 输出参数	209
7.2.4. 传感器特定可调参数	210
7.2.5. 诊断参数	211
尺寸图	212
安装	212
检测稳定性	213
安装提示	214

1. 简介

本手册为 Carlo Gavazzi IO-Link 电容式接近传感器 CA18FA...IO 和 CA30...IO 的参考指南。本手册介绍如何为预期用途而安装、设置和使用产品。

1.1 说明

Carlo Gavazzi 电容式传感器是按照 IEC 国际标准设计和制造的设备，服从低电压 (2014/35/EU) 指令和电磁兼容性 (2014/30/EU) EC 指令。

Carlo Gavazzi Industri 保留本文档的所有权利，副本仅供内部使用。

欢迎提出任何改进本文档的建议。

1.2 文档有效性

本文档仅适用于具有 IO-Link 接口的 CA18 和 CA30 电容式传感器，在发布新文档之前一直有效。

本说明手册介绍产品用于预期用途的功能、操作和安装。

1.3 本文档使用者

本手册包含与安装有关的重要信息，处理这些电容式接近传感器的专业人员必须阅读并完全理解本手册。

我们强烈建议您在安装传感器之前认真阅读本手册。请妥善保管本手册以便今后使用。本安装手册仅供具备资质的技术人员使用。

1.4 使用产品

电容式接近传感器为非接触式设备，能够测量任何导电目标的位置和/或位置变化。它们还能够测量非导电材料的厚度和密度。电容式接近传感器用于各种应用，包括注塑加工、鸡或猪的饲喂系统、装配线测试、固态或液态物体的装填或排空流程。

CA18FA...IO 和 CA30FA...IO 传感器配备了 IO-Link 通信功能。通过使用 IO-Link 主系统，用户可以操作和配置这些设备。

1.5 安全预防措施

此传感器不得用于需要传感器工作才能保证人身安全的应用场合（该传感器并非按照欧盟机械指令设计而成）。

必须由具有基本电气安装知识且经过培训的技术人员进行安装和使用。

安装人员有责任根据当地安全法规正确安装，确保传感器出现缺陷时不会对人或设备造成危害。如果传感器出现缺陷，则必须更换传感器，并且确保无人擅自使用有缺陷的传感器。

1.6 其他文档

您可以在互联网上找到数据表、IODD 文件和 IO-Link 参数手册：<http://gavazziautomation.com>

1.7 首字母缩略词

I/O	输入/输出
PD	过程数据
PLC	可编程逻辑控制器
SIO	标准输入输出
SP	设定值
IODD	I/O 设备描述
IEC	国际电工委员会
NO	常开触点
NC	常闭触点
NPN	将负载拉至接地
PNP	将负载拉至 V+
Push-Pull	将负载拉至接地或 V+
QoR	运行质量
QoT	教导质量
UART	通用异步收发传输器
SO	开关输出
SSC	开关信号通道

2. 产品

2.1. 主要功能

全新 IO-Link Carlo Gavazzi 4 线 DC 第 4 代 Tripleshield 传感器按照最高质量标准制造而成，提供两种不同尺寸的外壳。

- CA18FA..PTFE M18 圆柱形螺纹套筒外壳，适合采用 4 极 M12 连接器或 2 米 PVC 电缆的齐平或非齐平安装。
- CA30FA..PTFE M30 圆柱形螺纹套筒外壳，适合采用 4 极 M12 连接器或 2 米 PVC 电缆的齐平或非齐平安装。

它们可以在标准 I/O 模式 (SIO) 下工作，该模式是默认工作模式。连接到 IO-Link 主系统时，它们会自动切换为 IO-Link 模式，用户可以远程操作和轻松配置。

有了 IO-Link 接口，这些设备变得更加智能，具备更多配置选项，例如可设置的感应距离和磁滞以及输出的定时器功能。逻辑功能块等高级功能以及将输出转换为外部输入的可能性使传感器能够非常灵活地解决分散的感应任务。

2.2. 识别号

代码	选项	说明
C	-	感应原理：电容式传感器
A	-	带螺纹套筒的圆柱形外壳
	18	M18 外壳
	30	M30 外壳
F	-	PTFE 外壳
A	-	轴向感应
	F	齐平安装
	N	非齐平安装
	08	8 mm 感应距离 (适用于 CA18...)
	12	12 mm 感应距离 (适用于 CA18...)
	16	16 mm 感应距离 (适用于 CA30...)
	25	25 mm 感应距离 (适用于 CA30...)
B	-	可选择的功能：NPN、PNP、推挽、外部输入 (仅限引脚 2)、外部教导输入 (仅限引脚 2)
P	-	可选择：NO 或 NC
	A2	2 米 PVC 电缆
	M1	M12, 4 极连接器
IO	-	IO-Link 版本

定制版本可使用更多字符。

2.3. 工作模式

IO-Link 电容式传感器随附两个开关输出 (SO)，可在两种不同模式下工作：SIO 模式（标准 I/O 模式）或 IO-Link 模式。

2.3.1. SIO 模式

传感器在 SIO 模式（默认）下工作时，不需要 IO-Link 主系统。设备作为标准电容式传感器使用，可连接到 PNP、NPN 或推挽数字输入（标准 I/O 端口）时，可通过现场总线设备或控制器（例如 PLC）进行操作。这些电容式传感器的最大优点之一是可以通过 IO-Link 主系统进行配置，然后一旦断开连接，它们将保持最后的参数和配置设置。例如，这样一来，用户可以将传感器的输出单独配置为 PNP、NPN 或推挽，或者添加 T-on 和 T-off 延迟等定时器功能或逻辑功能，从而用同一个传感器满足多种应用需求。

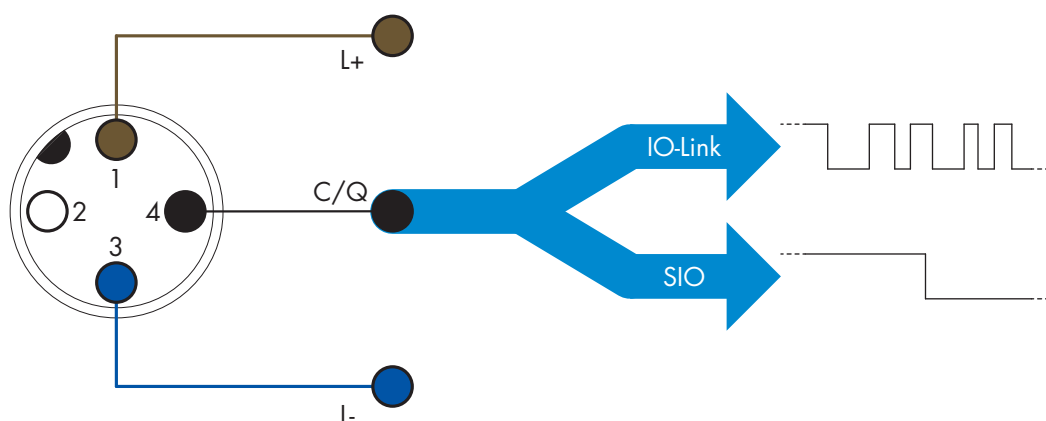
2.3.2. IO-Link 模式

IO-Link 是一种标准化 IO 技术，被全世界公认为国际标准 (IEC 61131-9)。

该技术如今被视为工业自动化环境中传感器和致动器的“USB 接口”。

当传感器连接到一个 IO-Link 端口时，IO-Link 主系统会向传感器发送唤醒请求（唤醒脉冲），传感器则自动切换为 IO-Link 模式：然后，主系统与传感器之间的点对点双向通信自动开始。

IO-Link 通信仅需要最大长度为 20 m 的标准 3 线非屏蔽电缆。



IO-Link 通信通过开关和通信电缆（开关状态和数据通道 C/Q 相组合）针脚 4 或黑色线的 24 V 脉冲调制标准 UART 协议进行。

例如，一个 M12 4 针脚公头具有：

- 正电源：针脚 1，棕色
- 负电源：针脚 3，蓝色
- 数字输出 1：针脚 4，黑色
- 数字输出 2：针脚 2，白色

CA18FA...IO 或 CA30FA...IO 传感器的传输速率为 38.4 kBaud (COM2)。

一旦连接到 IO-Link 端口，主系统就能够远程访问传感器的所有参数和高级功能，从而能够在工作期间更改设置和配置，并且启用温度警告、温度警报和过程数据等诊断功能。

有了 IO-Link，用户可以查看已连接的设备的制造商信息和部件号（服务数据），从 V1.1 开始。有了数据存储功能，用户可以更换设备并将旧设备中存储的所有信息自动传输到更换后的设备。

访问内部参数让用户能够查看传感器的运行状况，例如通过读取内部温度。

事件数据让用户能够获得错误、警报、警告或通信问题等诊断信息。

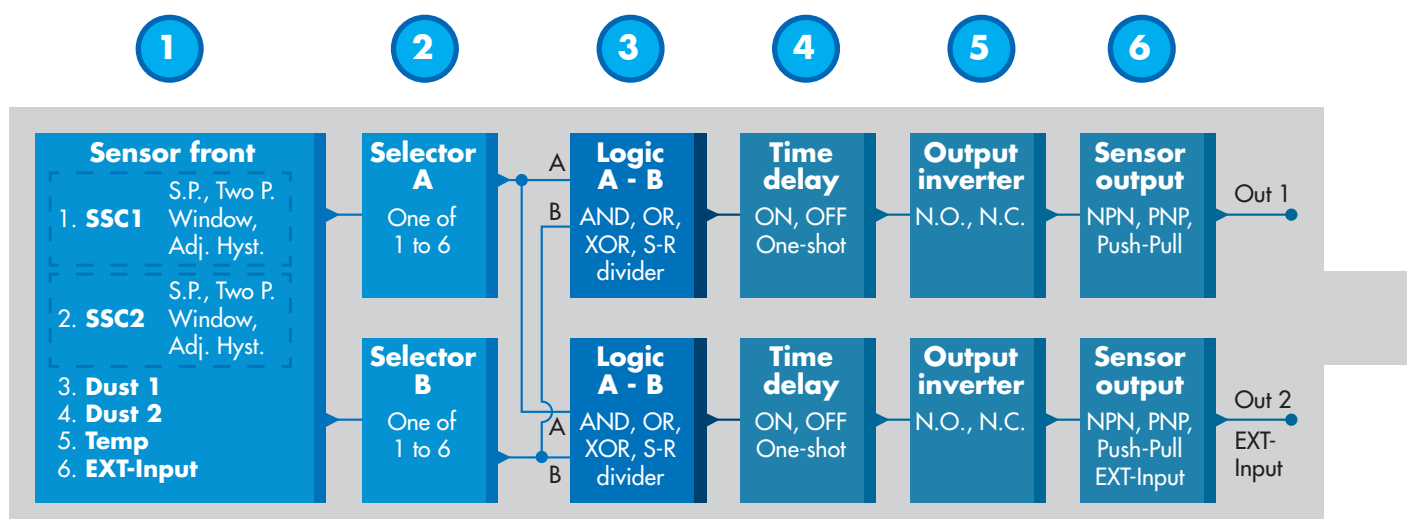
传感器与主系统之间有两种彼此无关的不同通信类型：

- 周期性，适用于过程数据和值状态 - 这些数据周期性交换。
- 非周期性，适用于参数配置、识别数据、诊断信息和事件（例如错误消息或警告） - 可以根据要求交换这些数据。

2.4. 输出参数

传感器测量五种不同的物理值。用户可以单独调节这些值并用作开关输出 1 或 2 的源，除此之外可以为 SO2 选择外部输入。选择这些源之一后，用户可以按照下方开关输出设置中所示的六个步骤，通过 IO-Link 主系统来配置传感器的输出。

一旦传感器与主系统断开连接，它将切换为 SIO 模式并保持最后的配置设置。



1

2.4.1. 传感器正面

当固态或液态物体靠近传感器的表面时，检测电路的电容受到影响，传感器输出改变其状态。

2.4.1.1. SSC（开关信号通道）

对于传感器表面前的物体的有无检测，可以使用以下设置：SSC1 或 SSC2。

用户可以将设定值设置为 0 至 10.000 个单位，用于表示检测电路的电容变化。该值越高，目标离传感器的感应面似乎越近，目标的介电值较高也会增大该值。例如，金属目标的介电值比塑料目标高。

2.4.1.2. 开关点模式：

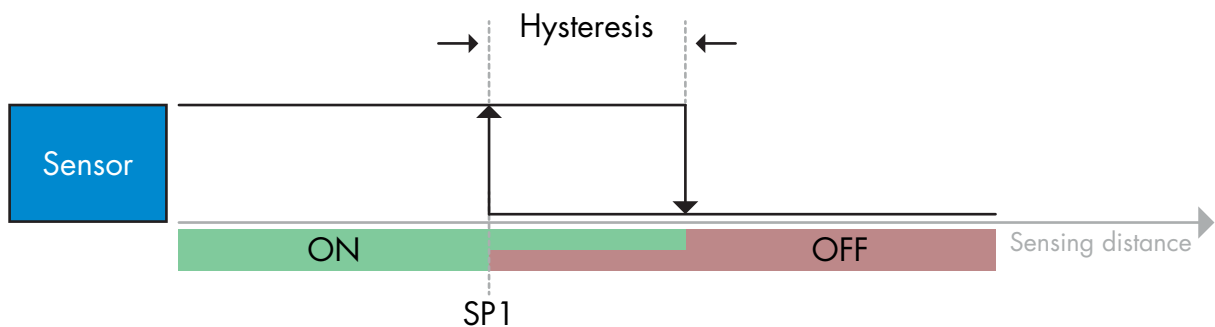
开关点模式可用于创建更高级的输出行为。用户可为 SSC1 和 SSC2 的开关行为选择以下开关点模式

禁用

用户可以单独禁用 SSC1 或 SSC2，但是如果在输入选择器中选中了它，这样还会禁用输出（逻辑值将始终为“0”）。

单点模式

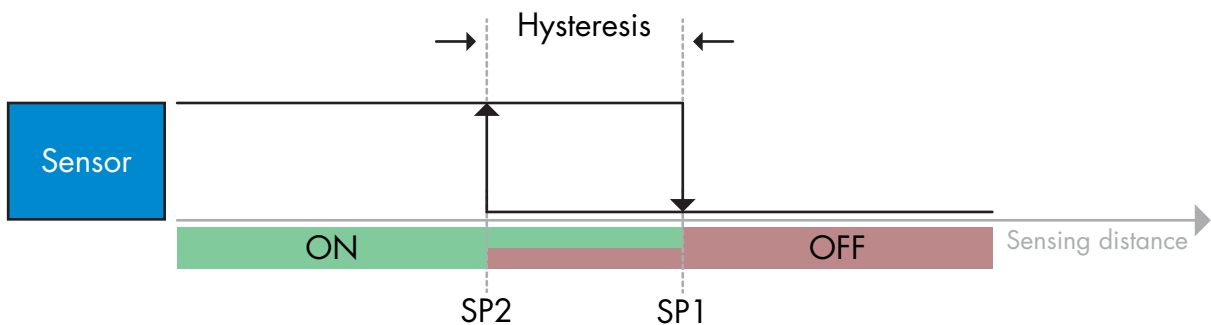
当测量值超出设定值 SP1 中定义的阈值时，开关信息将随上升或下降的测量值发生变化，同时考虑磁滞。



有无检测的示例 - 采用非反转逻辑

双点模式

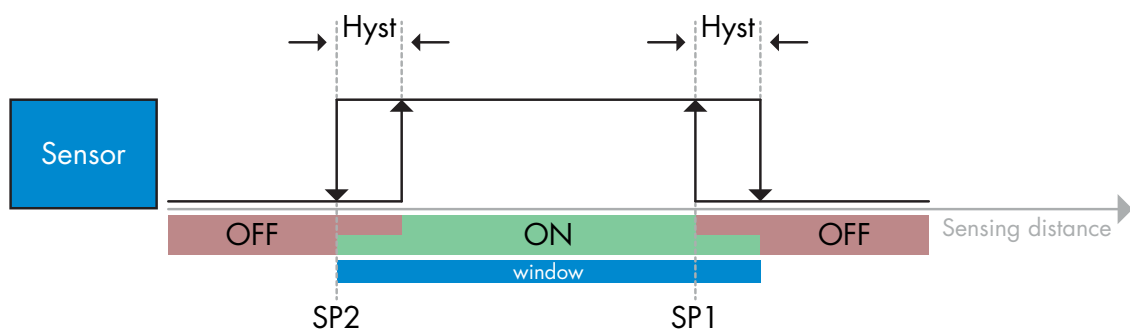
当测量值超出设定值 SP1 中定义的阈值时，开关信息将发生变化。此变化仅随上升的测量值发生。当测量值超出设定值 SP2 中定义的阈值时，开关信息也将发生变化。此变化仅随下降的测量值发生。此情况下不考虑磁滞。



有无检测的示例 - 采用非反转逻辑

窗口模式

当测量值超出设定值 SP1 和设定值 SP2 中定义的阈值时，开关信息将随上升或下降的测量值发生变化，同时考虑磁滞。



有无检测的示例 - 采用非反转逻辑

2.4.1.3. 磁滞设置

在 SSC1 和 SSC2 - 单点模式和窗口模式下，用户可以将磁滞设置为实际开关值的 1% 至 100 % 之间。标准设置取决于感应类型：

CA18FAF...	4%
CA18FAN...	15%
CA30FAF...	5%
CA30FAN...	10%

(SP2 + 磁滞 < SP1) 以及 (SP1 + 磁滞 < 感应范围上限)。

信息

扩展磁滞一般可用于解决应用中的震动或 EMC 问题。

2.4.1.4. 粉尘警报 1 和粉尘警报 2

感应输出正在开关时与传感器即使在可以设置微小的粉尘增加的情况下也能安全检测时的值之间的安全限制。

参见“2.6.5 安全限制”。

2.4.1.5. 温度警报 (TA)

传感器持续监控传感器正面部分中的内部温度。使用温度警报设置，如果超出温度阈值，用户可以收到传感器的警报。参见 §2.6 .4

温度警报有两个单独的值，一个值用于设置最高温度，另一个值用于设置最低温度。

用户可以通过非周期性 IO-Link 参数数据来读取传感器的温度。

注意!

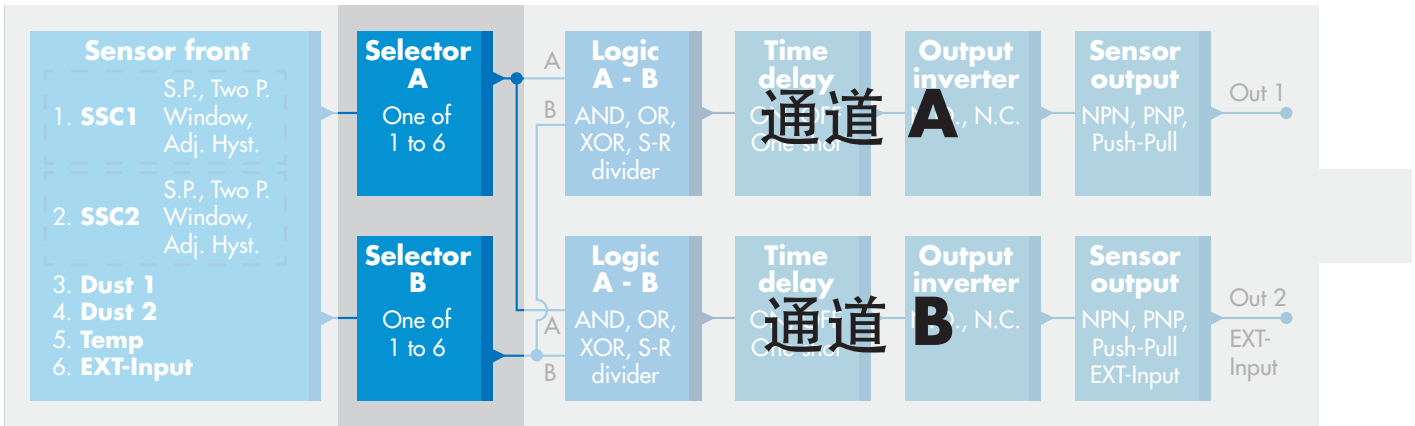
由于内部加热，传感器测量的温度将始终高于环境温度。

环境温度与内部温度之间的差异受到应用中传感器安装方式的影响。传感器安装在金属支架中的差异将小于安装在塑料支架中的差异。

2.4.1.6. 外部输入

用户可将输出 2 (SO2) 配置为外部输入，从而允许将外部信号送入传感器，此输入可以来自第二个传感器或 PLC 或者直接来自机器输出。

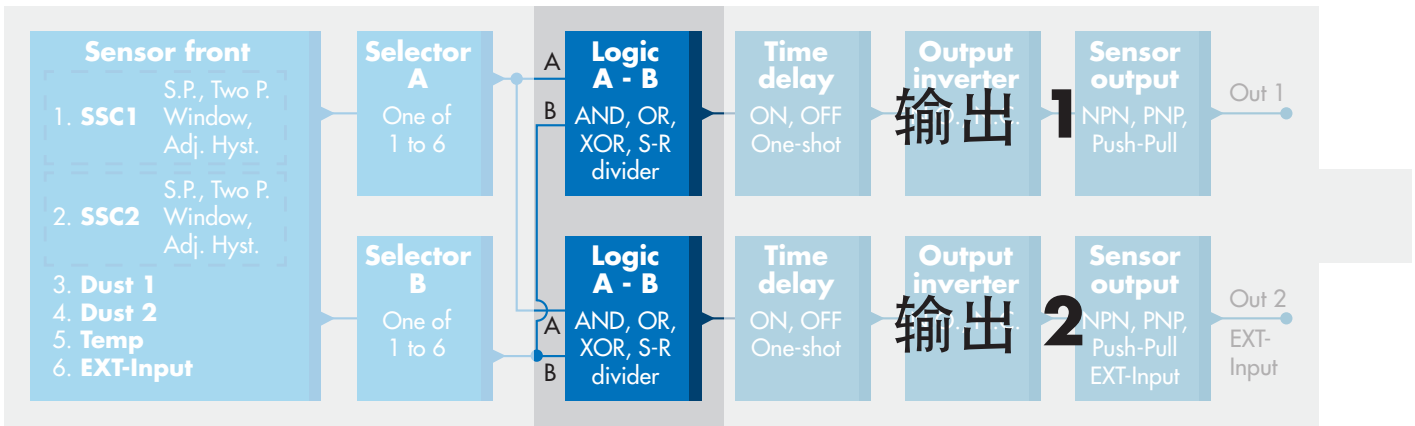
2



2.4.2. 输入选择器

此功能块让用户能够选择任何从“传感器正面”到通道 A 或 B 的信号。
 通道 A 和 B：可在 SSC1、SSC2、Dust1、Dust2、温度警报和外部输入之间选择。

3

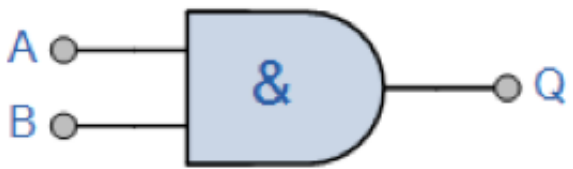


2.4.3. 逻辑功能块

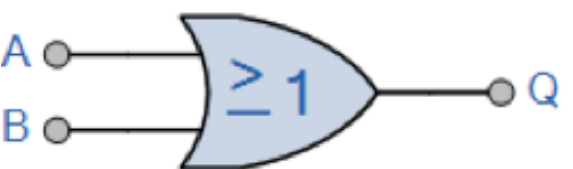
在逻辑功能块中，用户可以向输入选择器中的选定信号直接添加逻辑功能，而不使用 PLC - 从而使分散式决策成为可能。

可用的逻辑功能为：AND、OR、XOR、SR-FF。

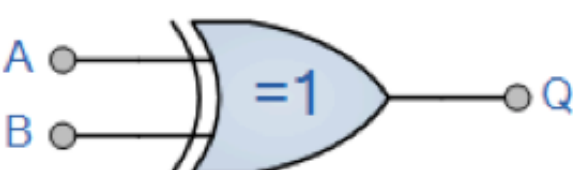
AND 功能

符号	真值表		
 <p>2 输入与门</p>	A	B	Q
	0	0	0
	0	1	0
	1	0	0
	1	1	1
布尔表达式 $Q = A \cdot B$	读作 A 与 B 得到 Q		

OR 功能

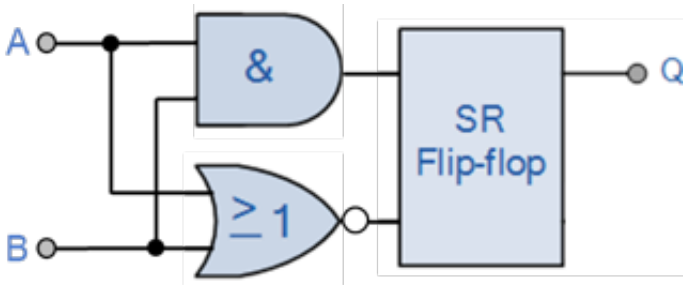
符号	真值表		
 <p>2 输入或门</p>	A	B	Q
	0	0	0
	0	1	1
	1	0	1
	1	1	1
布尔表达式 $Q = A + B$	读作 A 或 B 得到 Q		

XOR 功能

符号	真值表		
 <p>2 输入异或门</p>	A	B	Q
	0	0	0
	0	1	1
	2 输入或门		1
	1	1	0
布尔表达式 $Q = A \oplus B$	A 或 B 但非两者得到 Q		

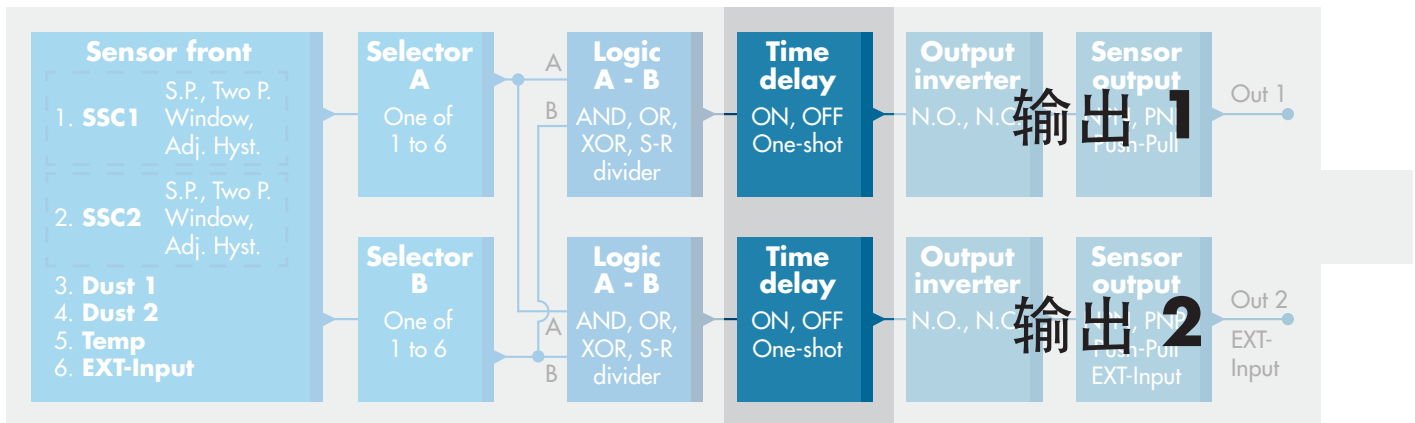
“有门 SR-FF” 功能

该功能用途示例：用作仅使用两个互联传感器时的装填或排空功能

符号	真值表		
	A	B	Q
	0	0	0
	0	1	X
	1	0	X
	1	1	1

X - 输出无任何变化。

4



2.4.4. 定时器（可以为 Out1 和 Out2 单独设置）

定时器让用户能够通过编辑 3 个定时器参数来引入不同的定时器功能：

- 定时器模式
- 定时器标度
- 定时器值

2.4.4.1. 定时器模式

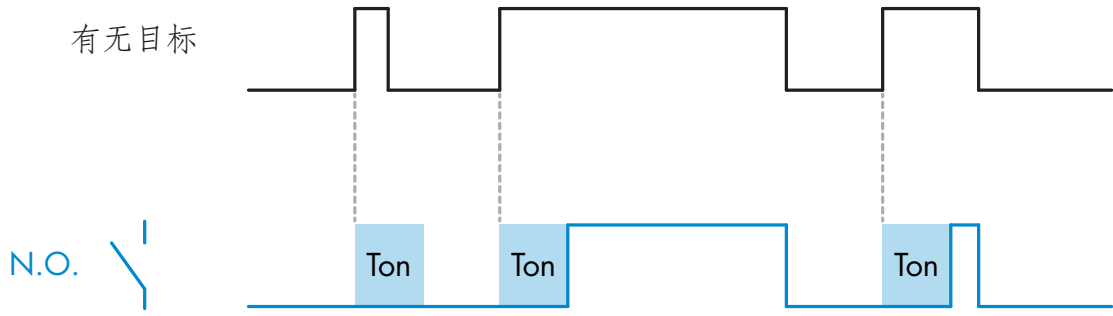
选择开关输出中引入的定时器功能类型。可以选择以下任一功能：

2.4.4.1.1. 禁用

无论定时器标度和定时器延迟的设置如何，此选项都将禁用定时器功能。

2.4.4.1.2. 打开延迟 (T-on)

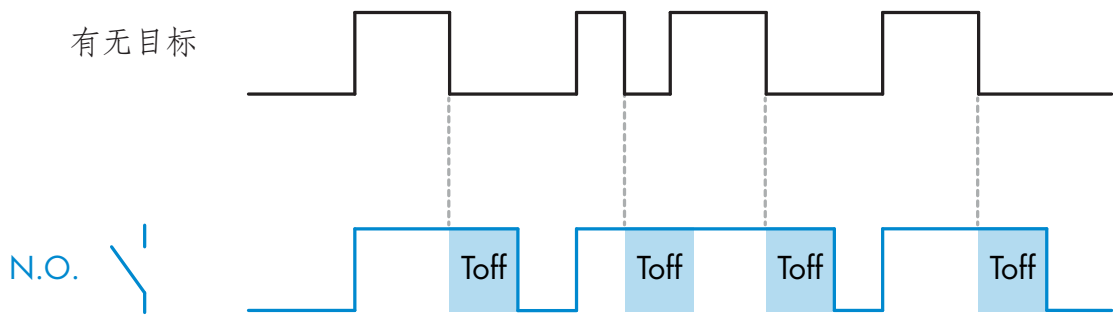
在实际传感器驱电之后生成开关输出的激活，如下图所示。



采用常开输出的示例

2.4.4.1.3. 关闭延迟 (T-off)

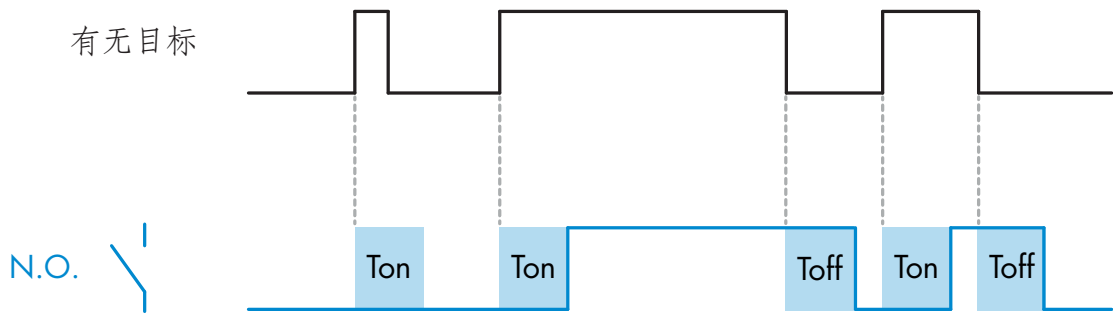
与在传感器前面移走目标的时间相比，开关输出的取消激活将延迟，如下图所示。



采用常开输出的示例

2.4.4.1.4. 开延迟和关延迟 (T-on 和 T-off)

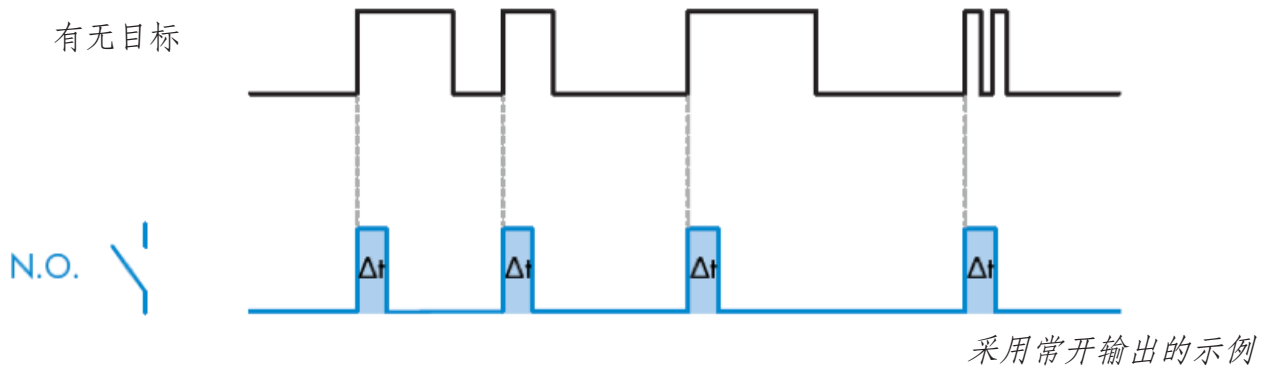
选中时，T-on 和 T-off 延迟都将应用到开关输出的生成。



采用常开输出的示例

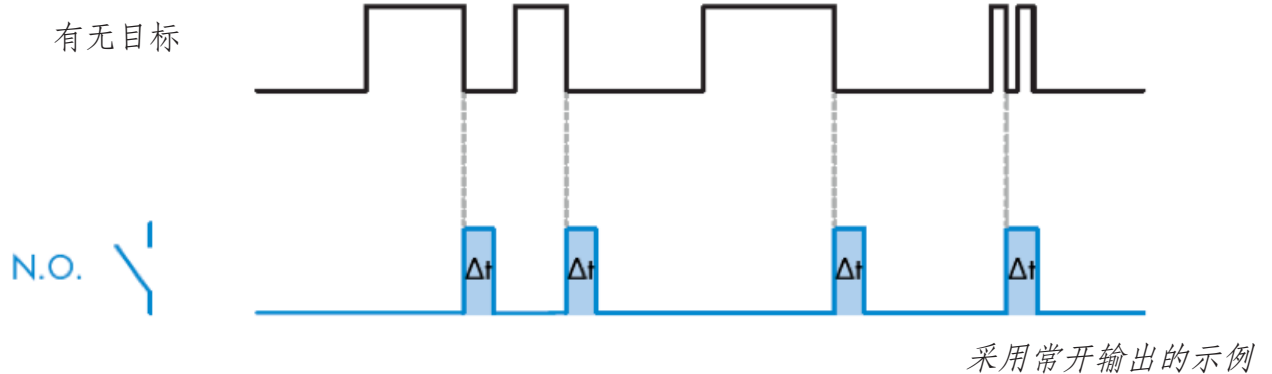
2.4.4.1.5. 单次上升沿

每当在传感器前面检测到目标时，开关输出都将在检测的上升沿生成恒定长度的脉冲。请参见下图。



2.4.4.1.6. 单次下降沿

类似于单次上升沿模式的功能，但在此模式下，开关输出在激活的下降沿发生变化，如下图所示。

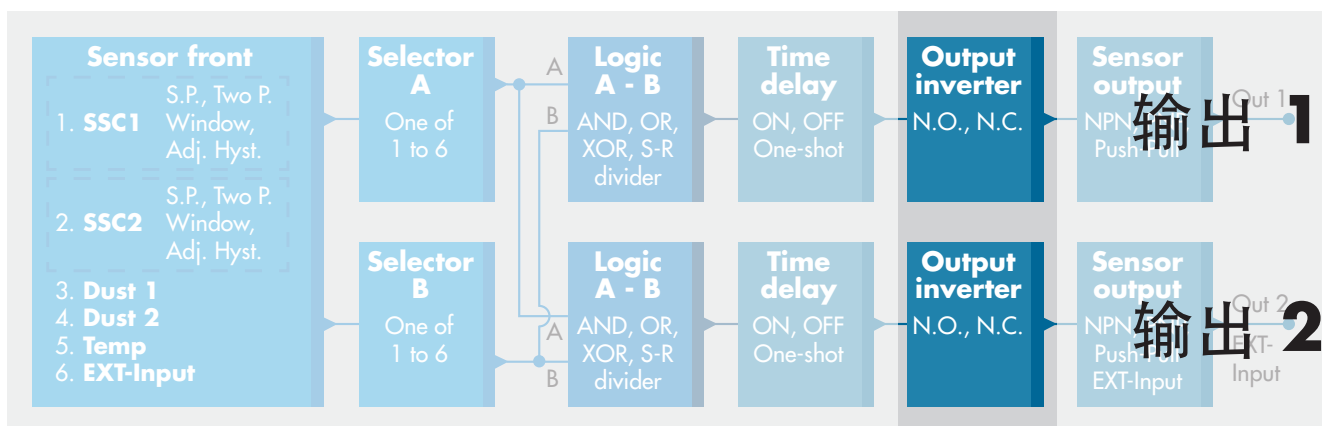


2.4.4.1.7. 定时器标度

参数定义定时器延迟中指定的延迟应为毫秒、秒还是分钟

2.4.4.1.8. 定时器值

参数定义延迟的实际持续时间。延迟可以设置为 1 和 32 767 之间的任意整数值



2.4.5. 输出逆变器

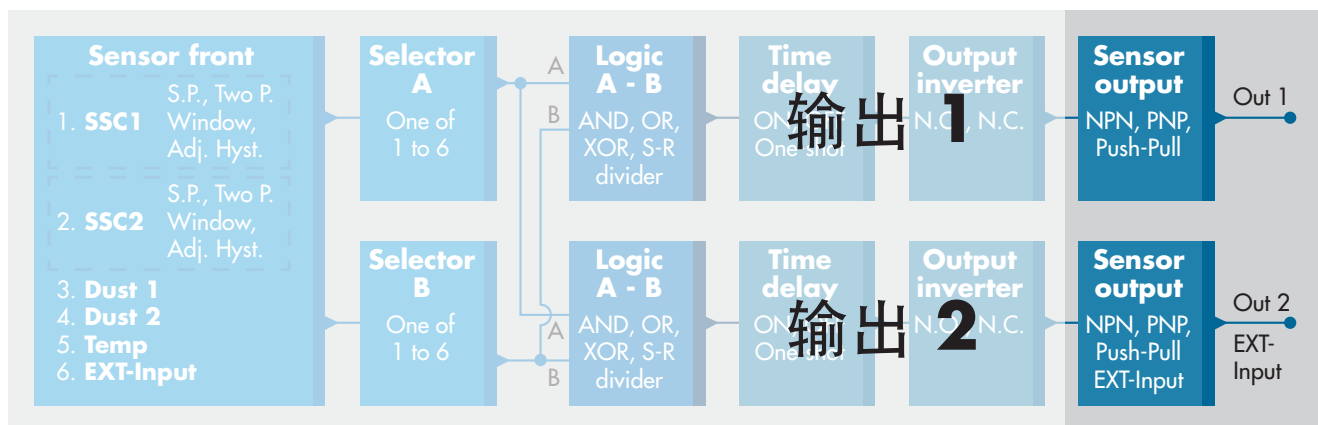
此功能让用户能够在常开与常闭之间反转开关输出的工作。

建议功能!

将位于 SO1 的 64 (0x40) 子索引 8 (0x08) 和 SO2 的 65 (0x41) 子索引 8 (0x08) 下的参数中的建议功能添加到传感器的逻辑功能或定时器功能之后，不会对这些功能产生任何负面影响。

警告!

建议不要使用位于 SSC1 的 61 (0x3D) 子索引 1 (0x01) 和 SSC2 的 63 (0x3F) 子索引 1 (0x01) 下的开关逻辑功能，因为它们会对逻辑功能或定时器功能产生负面影响，例如，使用此功能会在为 SSC1 和 SSC2（并非仅为 SO1 和 SO2）添加该功能时将开延迟转变为关延迟。



2.4.6. 输出阶段模式

在此功能块中，用户可以选择开关输出是否应运行行为：

SO1: 已禁用、NPN、PNP 或推挽配置。

SO2: 已禁用、NPN、PNP、推挽、外部输入（高电平有效/下拉）、外部输入（低电平有效/上拉）或外部教导输入。

2.5. 教导师程序

2.5.1. 外部教导（通过导线教导）

注意！此功能在单点模式下有效，并且仅对 SSC1 中的 SP1 有效。

用户必须首先使用 IO-Link 主系统设置通过导线教导：

- 选择：本地/远程调整参数 68 (0x44) 的选项中的 “2=Teach by wire”。
- 选择：“SSC1 配置” 61(0x3D)、“模式 1” 2(0x02) 中已选择 “1=Single Point Mode”（用户应已将此值设置为默认值）。
- 选择：通道 2 (SO2) 65 (0x41) 子索引 1 (0x01) 中的 6=Teach-In (Active High)。

通过导线教导程序。

- 将目标放在传感器前面，将通过导线教导输入（针脚 2 白色线）连接至 V+（针脚 1 棕色线）。黄色 LED 将以 1Hz 的频率闪烁（点亮 100mS 并熄灭 900 mS）。
- 在 3-6 秒内，电线一定会断开，黄色 LED 以 1Hz 的频率闪烁（点亮 900 mS 并熄灭 100 mS）。
- 教导成功后，黄色 LED 将以 2 Hz 的频率闪烁（点亮 250 mS 并熄灭 250 mS）。

注意！如果要取消教导程序，在 3 至 6 秒后不要移开电线，而要保持连接 12 秒，直到黄色 LED 以 10 Hz 的频率闪烁（点亮 50 mS 并熄灭 50 mS）。

2.5.2. 从 IO-Link 主系统教导

- 要启用从 IO-Link 主系统教导，首先要禁用微调电容器输入：
选择：本地/远程调整参数 68 (0x44) 的选项中的 “0=Disabled”。
- 单独的组命令可以写入到索引 2。

2.5.2.1. 单点模式程序

选择要教导的开关通道

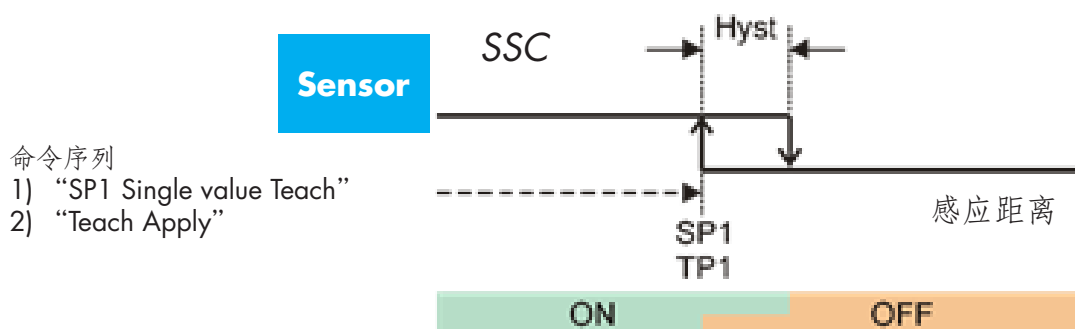
- 选择：“教导选择” 58(0x3A) 中的 1=SSC1 或 2=SSC2 或者 255 = 所有 SSC。
- 如果 SSC1 或 SSC2 需要，可更改磁滞。
 - “SSC1 配置” 61(0x3D) “磁滞” 3(0x03)。
 - “SSC2 配置” 62(0x3E) “磁滞” 3(0x03)。

注意！建议不要将磁滞更改为低于 SSC 参数列表中声明的值。

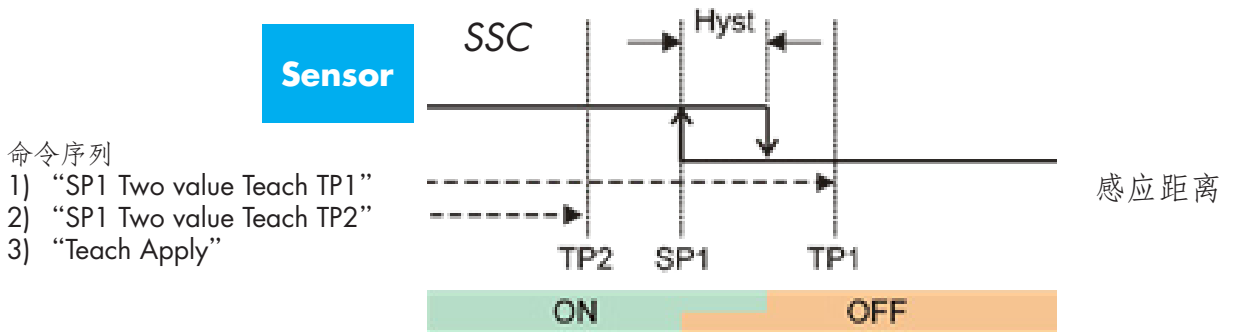
1) 单值教导命令序列

#65 “SP1 Single value teach”

#64 “Teach apply”（可选命令）

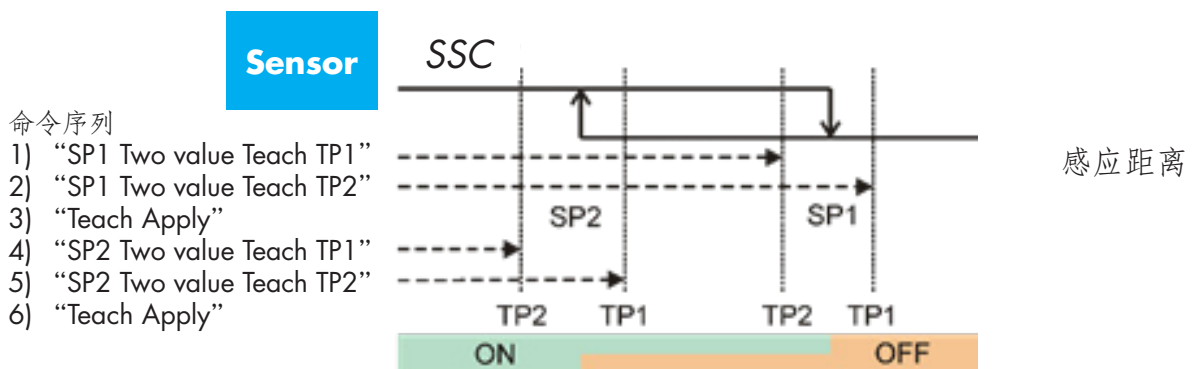


- 2) 动态教导命令序列
 - #71 “SP1 dynamic teach start”
 - #72 “SP1 dynamic teach stop”
 - #64 “Teach apply” (可选命令)
- 3) 双值教导命令序列
 - #67 “SP1 two value teach TP1”
 - #68 “SP1 two value teach TP2”
 - #64 “Teach apply” (可选命令)

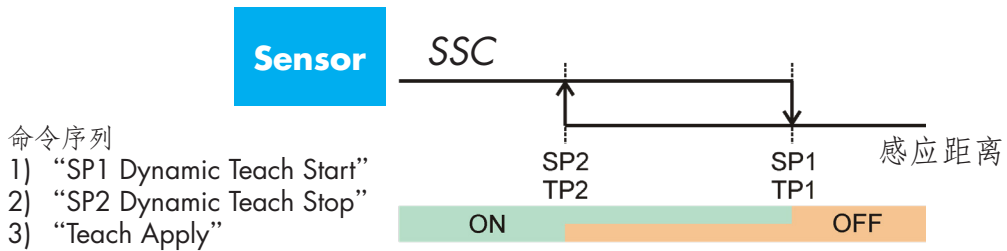


2.5.2.2. 双点模式程序

- 1) 双值教导命令序列:
 - #67 “SP1 two value teach TP1”
 - #68 “SP1 two value teach TP2”
 - #64 “Teach apply” (可选命令)
- #69 “SP2 two value teach TP1”
- #70 “SP2 two value teach TP2”
- #64 “Teach apply” (可选命令)

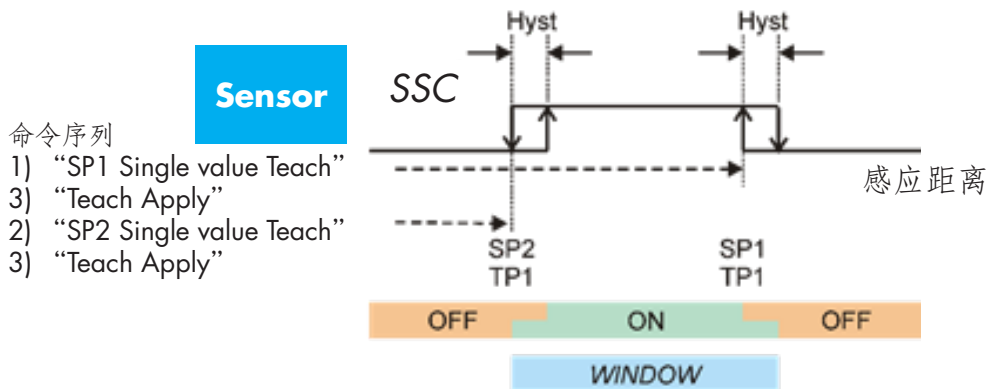


- 2) 动态教导命令序列:
 #71 “SP1 dynamic teach start”
 #72 “SP1 dynamic teach stop”
 #73 “SP2 dynamic teach start”
 #74 “SP2 dynamic teach stop”
 #64 “Teach apply” (可选命令)

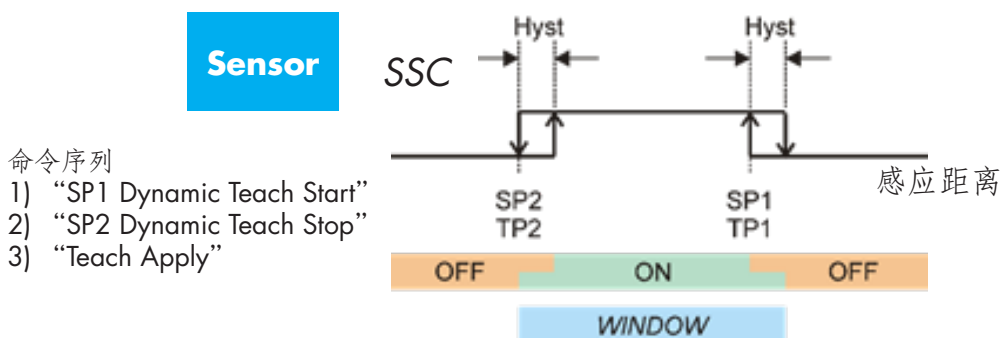


2.5.2.3. 窗口模式程序

- 1) 单值教导命令序列
 #65 “SP1 Single value teach”
 #66 “SP2 Single value teach”
 #64 “Teach apply” (可选命令)



- 2) 动态教导命令序列:
 #71 “SP1 dynamic teach start”
 #72 “SP1 dynamic teach stop”
 #73 “SP2 dynamic teach start”
 #74 “SP2 dynamic teach stop”
 #64 “Teach apply” (可选命令)



2.6. 传感器特定可调参数

除了与输出配置直接相关的参数，传感器还有各种可用于设置和诊断的内部参数。

2.6.1. 本地或远程调整的选择

用户可以选择如何设置感应距离，方法是使用传感器的外部输入选择微调电容器、通过导线教导，或者禁用电位计以使传感器防篡改。

2.6.2. 过程数据和变量

当传感器在 IO-Link 模式下工作时，用户能够访问周期性过程数据变量。

默认情况下，过程数据显示以下参数为活动：16 位模拟值、开关输出 1 (SO1) 和开关输出 2 (SO2)。

以下参数设置为非活动：SSC1、SSC2、DA1、DA2、TA、SC。

然而，通过更改过程数据配置参数，用户还可以决定启用非活动参数的状态。这样一来，用户就可以同时在传感器中观察到多个状态。

字节 0	31	30	29	28	27	26	25	24
	MSB							
字节 1	23	22	21	20	19	18	17	16
								LSB
字节 2	15	14	13	12	11	10	9	8
			SC	TA	DA2	DA1	SSC2	SSC1
字节 3	7	6	5	4	3	2	1	0
							SO2	SO1

4 字节

模拟值 16 ... 31 (16 位)

2.6.3. 传感器应用设置

传感器有 3 项预设置，具体取决于应用：

- 全标度范围，用户可以全标度调整传感器的设定值，感应速度设置为最大
- 液位，用于具有高介电值的慢速移动物体，例如检测水基液体。选择此功能时，教导和电位计设置优化至高范围标度。
在此模式下，过滤器定标器设置为 100
- 塑料颗粒，用于具有低介电值的慢速移动物体，例如检测塑料颗粒。选择此功能时，教导和电位计设置优化至低范围标度。
在此模式下，过滤器定标器设置为 100。

2.6.4. 温度警报阈值

可以针对最高和最低温度更改将激活温度警报的温度。这意味着传感器将在超出最高或最低温度时发出警报。温度可以设置为 -50 °C 至 +150 °C 之间。默认出厂设置为：低阈值 -30 °C，高阈值 +120 °C。

2.6.5. 安全限制

传感器具有内置安全裕量，帮助将感应调整至具有附加安全裕量的设定值。出厂设置为传感器标准磁滞的两倍，例如，对于磁滞为 15% 的 CA18FAN... 传感器，安全裕量为 30%。

可以单独为 SSC1 或 SSC2 将此值设置为 0% 至 100%。

2.6.6. 事件配置

传感器中默认关闭通过 IO-Link 接口传输的温度事件。如果用户要获得与传感器应用中检测的临界温度有关的信息，此参数可用于启用或禁用以下 3 种事件：

- 温度错误事件：传感器检测到指定工作范围以外的温度。
- 温度超载运行：传感器检测到高于温度警报阈值中设置的温度。
- 温度欠载运行：传感器检测到低于温度警报阈值中设置的温度。
- 短路：传感器检测传感器输出是否短路。
- 维护：传感器检测是否需要维护，例如传感器是否需要清洁。

2.6.7. 运行质量 QoR

运行质量值报告与传感器的设定值相比的实际感应性能，值越高，检测质量就越好。

QoR 值可能变化为 0 ... 255 % 之间的任意值。

每个检测周期都会更新 QoR 值。

下表中列出了 QoR 示例。

运行质量值	定义
> 150%	出色的感应条件，传感器应该不需要任何维护
100%	良好的感应条件，传感器的性能与教导设定值或者用两倍标准磁滞的安全裕量手动设置设定值时相同。 <ul style="list-style-type: none"> • 所有环境条件下应该都能实现长期可靠性。 • 应该不需要维护。
50%	一般的感应条件 <ul style="list-style-type: none"> • 短期可靠性，因环境条件而需要维护 • 应该能实现具有受限制的环境影响的可靠检测。
0%	应该是性能很差或不可靠的感应条件。

2.6.8. 教导质量 QoT

教导质量值报告完成实际教导程序的程度，表示实际设定值与传感器的环境影响之间的差距。

QoT 值可能变化为 0 … 255 % 之间的任意值。

每次教导程序之后都会更新 QoT 值。

下表中列出了 QoT 示例。

教导质量值	定义
> 150%	出色的教导条件，传感器应该不需要任何维护
100%	良好的教导条件，已用两倍标准磁滞的安全裕量教导了传感器。 <ul style="list-style-type: none"> • 所有环境条件下应该都能实现长期可靠性。 • 应该不需要维护。
50%	一般的教导条件。 <ul style="list-style-type: none"> • 短期可靠性，因环境条件而需要维护。 • 应该能实现具有受限制的环境影响的可靠检测。
0%	很差的教导结果。 <ul style="list-style-type: none"> • 应该是性能不可靠的感应条件。（例如目标与环境之间的测量差距过小）。

2.6.9. 过滤器定标器

此功能可提高对不稳定目标和电磁干扰的免疫力：用户可将值设置为 1 至 255，默认出厂设置为 1。过滤器设置为 1 时提供最大感应频率，设置为 255 时提供最小感应频率。

2.6.10. LED 指示

LED 指示可以配置为 3 种不同的模式：未启用，启用或查找查找传感器。

未启用: LED 始终关闭。

启用: LED 遵循 5.1 中的指示方案。

查找传感器: LED 以 2Hz 的频率交替闪烁，占空比为 50%，以便轻松定位传感器。

2.7. 诊断参数

2.7.1. 运行小时数

传感器具有一个内置计数器，记录传感器已工作的每个完整小时，可以记录的最大小时数为 2 147 483 647 个小时，可以从 IO-Link 主系统读取此值。

2.7.2. 启次数 [cycles]

传感器具有一个内置计数器，记录传感器的每次通电，该值每小时保存一次，可以记录的最大重启次数为 2 147 483 647 周期，可以从 IO-Link 主系统读取此值。

2.7.3. 最高温度 - 始终高温 [° C]

传感器具有一项内置功能，记录传感器在完整工作寿命期间接触的最高温度。此参数每小时更新一次，可以从 IO-Link 主系统读取。

2.7.4. 最低温度 - 始终低温 [° C]

传感器具有一项内置功能，记录传感器在完整工作寿命期间接触的最低温度。此参数每小时更新一次，可以从 IO-Link 主系统读取。

2.7.5. 自上次通电以来的最高温度 [° C]

通过此参数，用户可以获得与自启动以来记录的最高温度有关的信息。传感器中不保存此值。

2.7.6. 自上次通电以来的最低温度 [° C]

通过此参数，用户可以获得与自启动以来记录的最低温度有关的信息。传感器中不保存此值。

2.7.7. 当前温度 [° C]

用户可以通过此参数获得关于传感器当前温度的信息。

2.7.8. 检测计数器 [周期]

传感器记录 SSC1 的每次更改状态。此参数每小时更新一次，可以从 IO-Link 主系统读取。

2.7.9. 高于最高温度的分钟数 [min]

传感器记录传感器在传感器最高温度以上工作的分钟数，可记录的最大分钟数为 2 147 483 647。此参数每小时更新一次，可以从 IO-Link 主系统读取。

2.7.10. 低于最低温度的分钟数 [min]

传感器记录传感器在传感器最低温度以下工作的分钟数，可记录的最大分钟数为 2 147 483 647。此参数每小时更新一次，可以从 IO-Link 主系统读取。

2.7.11. 维护事件计数器

传感器记录事件计数器要求维护的次数，可记录的最大事件数为 2 147 483 647 次。此参数每小时更新一次，可以从 IO-Link 主系统读取。

2.7.12. 下载计数器

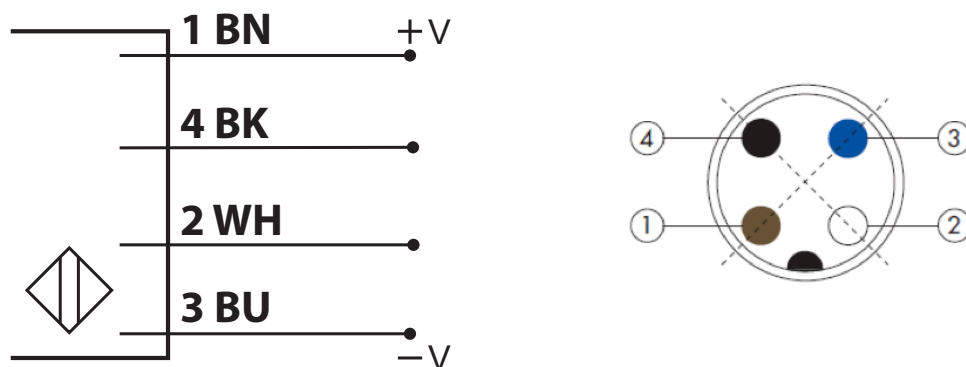
传感器记录传感器中更改参数的次数，可记录的最大更改次数为 65 536 次。此参数每小时更新一次，可以从 IO-Link 主系统读取。

注意！

由于内部加热，传感器测量的温度将始终高于环境温度。

环境温度与内部温度之间的差异受到应用中传感器安装方式的影响。传感器安装在金属支架中的差异将小于安装在塑料支架中的差异。

3. 接线图



针脚	颜色	信号	说明
1	棕色	10 - 40 VDC	传感器电源
2	蓝色	GND	接地
3	黑色	负载	IO-Link/输出 1/SIO 模式
4	白色	负载	输出 2/SIO 模式/外部输入/外部教导

4. 调试

打开电源 50 ms 后，传感器开始工作。

如果传感器已连接到 IO-link 主系统，则无需更多设置，IO-Link 通信将在 IO-Link 主系统向传感器发送唤醒请求后自动开始。

5. 工作

5.1. CA18FA...IO and CA30FA... IO 的用户界面

CA18FA...IO 和 CA30FA...IO 传感器配备了一个黄色 LED 和一个绿色 LED。

绿色 LED	黄色 LED	功率	检测
SIO 和 IO-Link 模式			
点亮	点亮	开	开 (稳定) * SSC1
点亮	熄灭	开	关 (稳定) * SSC1
熄灭	点亮	-	开 (不稳定) SSC1
熄灭	熄灭	-	关 (不稳定) SSC1
-	闪烁 10 Hz 50% 工作周期	开	输出短路
-	闪烁 (0.5 ... 20 Hz)	开	定时器指示
仅限 SIO 模式			
-	闪烁 1 Hz 点亮 10% 工作周期 熄灭 90% 工作周期	开	外部电传教学。 仅用于单点模式
-	闪烁 1 Hz 点亮 90% 工作周期 熄灭 10% 工作周期	开	教导窗口 (3-6 秒)
-	闪烁 10 Hz 点亮 50% 工作周期 熄灭 50% 工作周期	开	教导超时 (12 秒)
-	闪烁 2 Hz 点亮 50% 工作周期 熄灭 50% 工作周期	开	教导成功
仅限 IO-Link 模式			
闪烁 1 HZ 稳定: 点亮 90% 工作周期 熄灭 10% 工作周期 不稳定: 点亮 10% 工作周期 熄灭 90% 工作周期	-	开	传感器处于 IO-Link 模式
闪烁 2 Hz 50% 工作周期		开	查找传感器

* 可禁用两个 LED

6. IO-Link 文件和出厂设置

6.1. IO-Link 设备的 IO-Link 文件

传感器的所有功能、设备参数和设置值收集在一个称为 I/O 设备描述的文件 (IO-Link 文件) 中。需要 IO-Link 文件才能在 IO-Link 主系统与传感器之间建立通信。IO-Link 设备的每个供应商都必须提供此文件并在网站上提供下载。该文件经过压缩, 因此务必将其解压缩。

IO-Link 文件包含:

- 过程和诊断数据
- 带有名称、允许的范围、数据和地址种类 (索引和子索引) 的参数描述
- 通信属性, 包括设备的最小周期时间
- 设备身份、货号、设备的图片和制造商的徽标

Carlo Gavazzi 网站上提供 IO-Link 文件: [tbd](#)

6.2. 出厂设置

附录 7 的默认值下列出了默认出厂设置。

7. 附录

7.1. 首字母缩略词

DA	粉尘警报
IntegerTX	长度为 X 位的带符号整数
OctetStringT (X)	八位字节数组, 长度为 X 个八位字节
PDV	过程数据变量
R/W	读写
RO	只读
SO	开关输出
SP	设定值
SSC	开关信号通道
StringT (X):	ASCII 字符的字符串, 长度为 X 个字符
TA	温度警报
UIntegerTX	长度为 X 位的无符号整数
WO	只写

7.2. CA18FA.. 和 CA30FA.. 的 IO-Link 设备参数

7.2.1. 设备参数

参数名称	十进制 (十六进制) 索引	存取	默认值	数据范围	数据类型	长度
供应商名称	16 (0x10)	RO	Carlo Gavazzi	-	StringT	20 字节
供应商文本	17 (0x11)	RO	www.gavazziautomation.com	-	StringT	26 字节
产品名称	18 (0x12)	RO	(传感器名称) 例如 CA30FAN25BPA210	-	StringT	20 字节
产品 ID	19 (0x13)	RO	(产品的 EAN 代码) 例如 5709870394046	-	StringT	13 字节
产品文本	20 (0x14)	RO	电容式接近传感器	-	StringT	30 字节
序列号	21 (0x15)	RO	(唯一序列号) 例如 LR24101830834	-	StringT	13 字节
硬件版本	22 (0x16)	RO	(硬件版本) 例如 v01.00	-	StringT	6 字节
固件版本	23 (0x17)	RO	(软件版本) 例如 v01.00	-	StringT	6 字节
应用特定标记	24 (0x18)	RW	***	最多 32 个字符的任意字符串	StringT	最多 32 字节
功能标记	25 (0x19)	RW	***	最多 32 个字符的任意字符串	StringT	最多 32 字节
位置标记	26 (0x1A)	RW	***	最多 32 个字符的任意字符串	StringT	最多 32 字节
错误计数	32 (0x20)	RO	0	0...65 535	IntegerT	16 位
设备状态	36 (0x24)	RO	0 = 设备正常工作	0 = 设备正常工作 1 = 需要维护 2 = 超出规格 3 = 功能检查 4 = 故障	UIntegerT	8 位
详细设备状态	37 (0x25)		-	-		3 字节
温度错误	-	RO	-	-	OctetStringT	3 字节
温度超载运行	-	RO	-	-	OctetStringT	3 字节
温度欠载运行	-	RO	-	-	OctetStringT	3 字节
短路	-	RO	-	-	OctetStringT	3 字节
需要维护	-	RO	-	-	OctetStringT	3 字节
过程数据输入	40 (0x28)	RO	-	-	IntegerT	32 位

7.2.2. SSC 参数

参数名称	十进制 (十六进制) 索引	存取	默认值	数据范围	数据类型	长度
教导选择	58 (0x3A)	RW	1 = 开关信号通道 1	0 = 默认通道 1 = 开关信号通道 1 2 = 开关信号通道 2 255 = 所有 SSC	UIntegerT	8 位
教导结果	59 (0x3B)	-	-	-	RecordT	8 位
教导状态	1 (0x01)	RO	0 = 空闲	0 = 空闲 1 = 成功 4 = 等待命令 5 = 忙碌 7 = 错误	-	-
标记 SP1 TP1 设定值 1 的教导点 1	2 (0x02)	RO	0 = 不正常	0 = 不正常 1 = 正常	-	-
标记 SP1 TP2 设定值 2 的教导点 1	3 (0x03)	RO	0 = 不正常	0 = 不正常 1 = 正常	-	-
标记 SP2 TP1 设定值 1 的教导点 2	4 (0x04)	RO	0 = 不正常	0 = 不正常 1 = 正常	-	-
标记 SP2 TP2 设定值 2 的教导点 2	5 (0x05)	RO	0 = 不正常	0 = 不正常 1 = 正常	-	-
SSC1 参数 (开关信号通道)	60 (0x3C)		-	-	-	-
设定值 1 (SP1)	1 (0x01)	R/W	1 000	0 ...10 000	IntegerT	16 位
设定值 2 (SP2)	2 (0x02)	R/W	10 000	0 ...10 000	IntegerT	16 位
SSC1 配置 (开关信号通道)	61 (0x3D)	-	-	-	-	-
开关逻辑 1	1 (0x01)	R/W	0 = 高电平有效	0 = 高电平有效 1 = 低电平有效	UIntegerT	8 位
模式 1	2 (0x02)	R/W	1 = 单点模式	0 = 已停用 1 = 单点模式 2 = 窗口模式 3 = 两点模式	UIntegerT	8 位
迟滞 1	3 (0x03)	R/W	CA18FAF 6% CA18FAN 15% CA30FAF 7% CA30FAN 10%	1 ...100	UIntegerT	16 位
SSC2 参数	62 (0x3E)		-	-	-	-
设定值 1 (SP1)	1 (0x01)	R/W	1 000	0 ...10 000	IntegerT	16 位
设定值 2 (SP2)	2 (0x02)	R/W	10 000	0 ...10 000	IntegerT	16 位
SSC2 配置	63 (0x3F)				UIntegerT	8 位
开关逻辑 2	1 (0x01)	R/W	0 = 高电平有效	0 = 高电平有效 1 = 低电平有效	UIntegerT	8 位
模式 2	2 (0x02)	R/W	1 = 单点模式	0 = 已停用 1 = 单点模式 2 = 窗口模式 3 = 两点模式	UIntegerT	8 位
迟滞 2	3 (0x03)	R/W	CA18FAF 6% CA18FAN 15% CA30FAF 8% CA30FAN 10%	1 ...100	UIntegerT	16 位

7.2.3. 输出参数

参数名称	十进制 (十六进制) 索引	存取	默认值	数据范围	数据类型	长度
通道 1 (S01)	64 (0x40)					
阶段模式 1	1 (0x01)	R/W	1 = PNP 输出	0 = 输出停用 1 = PNP 输出 2 = NPN 输出 3 = 推挽输出	UIntegerT	8 位
输入选择器 1	2 (0x02)	R/W	1 = SSC 1	0 = 已停用 1 = SSC 1 2 = SSC 2 3 = 粉尘警报 1 (DA1) 4 = 粉尘警报 2 (DA2) 5 = 温度警报 (TA) 6 = 外部逻辑输入	UIntegerT	8 位
定时器 1 - 模式	3 (0x03)	R/W	0 = 已禁用定时器	0 = 已禁用定时器 1 = T-on 延迟 2 = T-off 延迟 3 = T-on/T-off 延迟 4 = 单次上升沿 5 = 单次下降沿	UIntegerT	8 位
定时器 1 - 标度	4 (0x04)	R/W	0 = 毫秒	0 = 毫秒 1 = 秒 2 = 分钟	UIntegerT	8 位
定时器 1 - 值	5 (0x05)	R/W	0	0 至 32'767	IntegerT	16 位
逻辑功能 1	7 (0x07)	R/W	0 = 直连	0 = 直连 1 = AND 2 = OR 3 = XOR 4 = 门控 SR-FF	UIntegerT	8 位
输出取反 1	8 (0x08)	R/W	0 = 未逆变 (N.O.)	0 = 未逆变 (常开) 1 = 已逆变 (常闭)	UIntegerT	8 位
通道 2 (S02)	65 (0x41)					
阶段模式 2	1 (0x01)	R/W	1 = PNP 输出	0 = 输出停用 1 = PNP 输出 2 = NPN 输出 3 = 推挽输出 4 = 数字逻辑输入 (高电平有效/下拉) 5 = 数字逻辑输入 (低电平有效/上拉) 6 = 教导 (高电平有效)	UIntegerT	8 位
输入选择器 2	2 (0x02)	R/W	1 = SSC 1	0 = 已停用 1 = SSC 1 2 = SSC 2 3 = 粉尘警报 1 (DA1) 4 = 粉尘警报 2 (DA2) 5 = 温度警报 (TA) 6 = 外部逻辑输入	UIntegerT	8 位
定时器 2 - 模式	3 (0x03)	R/W	0 = 已禁用定时器	0 = 已禁用定时器 1 = T-on 延迟 2 = T-off 延迟 3 = T-on/T-off 延迟 4 = 单次上升沿 5 = 单次下降沿	UIntegerT	8 位
定时器 2 - 标度	4 (0x04)	R/W	0 = 毫秒	0 = 毫秒 1 = 秒 2 = 分钟	UIntegerT	8 位
定时器 2 - 值	5 (0x05)	R/W	0	0 至 32'767	IntegerT	16 位
逻辑功能 2	7 (0x07)	R/W	0 = 直连	0 = 直连 1 = AND 2 = OR 3 = XOR 4 = 门控 SR-FF	UIntegerT	8 位
输出取反 2	8 (0x08)	R/W	1 = 已逆变 (常闭)	0 = 未取反 (常开) 1 = 已取反 (常闭)	UIntegerT	8 位

7.2.4. 传感器特定可调参数

参数名称	十进制 (十六进制) 索引	存取	默认值	数据范围	数据类型	长度
本地/远程调整的选择	68 (0x44)	RW	1 = 微调电容器输入	0 = 已禁用 1 = 电位计输入 2 = 通过导线示教	UIntegerT	8 位
微调电容器值	69 (0x45)	RO		10 ... 10 000		
过程数据配置	70 (0x46)	RW			RecordT	16 位
模拟值	1 (0x01)	RW	1 = 模拟值活动	0 = 模拟量值不启用 1 = 模拟量值启用		
开关输出 1	2 (0x02)	RW	1 = 开关输出 1 活动	0 = 开关输出 1 不启用 1 = 开关输出 1 启用		
开关输出 2	3 (0x03)	RW	1 = 开关输出 2 活动	0 = 开关输出 2 不启用 1 = 开关输出 2 启用		
开关信号通道 1	4 (0x04)	RW	0 = SSC1 非活动	0 = SSC1 未启用 1 = SSC1 启用		
开关信号通道 2	5 (0x05)	RW	0 = SSC2 非活动	0 = SSC2 未启用 1 = SSC2 启用		
粉尘警报 1	6 (0x06)	RW	0 = DA1 非活动	0 = DA1 未启用 1 = DA1 启用		
粉尘警报 2	7 (0x07)	RW	0 = DA2 非活动	0 = DA2 未启用 1 = DA2 启用		
温度警报	8 (0x08)	RW	0 = TA 非活动	0 = TA 未启用 1 = TA 启用		
短路	9 (0x09)	RW	0 = SC 非活动	0 = SC 未启用 1 = SC 启用		
传感器应用预设	71 (0x47)	R/W	0 = 全标度范围	0 = 全标度范围 1 = 液位 2 = 塑料颗粒	UIntegerT	8 位
温度警报阈值	72 (0x48)	R/W			RecordT	30 位
高阈值	1 (0x01)	R/W	120	-50 至 150 [°C]	IntegerT	16 位
低阈值	2 (0x02)	R/W	-30	-50 至 150 [°C]	IntegerT	16 位
安全开/关限制	73 (0x49)	R/W			RecordT	16 位
SSC 1 - 安全限制	1 (0x01)	R/W	2 倍标准磁滞	0...100	UIntegerT	8 位
SSC 2 - 安全限制	2 (0x02)	R/W	2 倍标准磁滞	0...100	UIntegerT	8 位
事件配置	74 (0x4A)	R/W			RecordT	16 位
维护 (0x8C30)	1(0x01)	R/W	0 = 维护 通知事件 - 未启用	0 = 通知事件未启用 1 = 通知事件启用		
温度错误事件 (0x4000)	2 (0x02)	R/W	0 = 温度错误 错误事件 - 未启用	0 = 错误事件未启用 1 = 错误事件启用		
温度超载运行 (0x4210)	3 (0x03)	R/W	0 = 温度超载运行 警告事件 - 未启用	0 = 警告事件未启用 1 = 警告事件启用		
温度欠载运行 (0x4220)	4 (0x04)	R/W	0 = 温度欠载运行 警告事件 - 未启用	0 = 警告事件未启用 1 = 警告事件启用		
短路 (0x7710)	5 (0x05)	R/W	0 = 短路 错误事件 - 未启用	0 = 错误事件未启用 1 = 错误事件启用		
教导质量	75 (0x4B)	RO	-	0...255	UIntegerT	8 位
运行质量	76 (0x4C)	RO	-	0...255	UIntegerT	8 位
过滤器定标器	77 (0x4D)	R/W	1	0...255	UIntegerT	8 位
LED 指示灯	78 (0x4E)	R/W	1 = LED 指示活动	0 = LED 指示不启用 1 = LED 指示启用 2 = 查找传感器	UIntegerT	8 位

7.2.5. 诊断参数

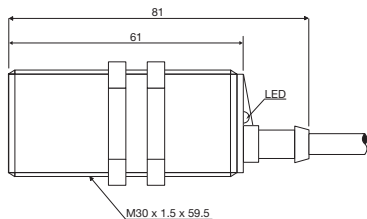
参数名称	十进制 (十六进制) 索引	存取	默认值	数据范围	数据类型	长度
运行小时数	201 (0xC9)	RO	0	0 ... 2 147 483 647 [h]	IntegerT	32 位
上电次数	202 (0xCA)	RO	0	0 ... 2 147 483 647	IntegerT	32 位
最高温度- 始终高温	203 (0xCB)	RO	0	-50 至 150 [°C]	IntegerT	16 位
最低温度- 始终低温	204 (0xCC)	RO	0	-50 至 150 [°C]	IntegerT	16 位
自通电以来的最高温度	205 (0xCD)	RO	-	-50 至 150 [°C]	IntegerT	16 位
自通电以来的最低温度	206 (0xCE)	RO	-	-50 至 150 [°C]	IntegerT	16 位
当前温度	207 (0xCF)	RO	-	-50 至 150 [°C]	IntegerT	16 位
检测计数器 SSC1	210 (0xD2)	RO	-	0 ... 2 147 483 647	IntegerT	32 位
高于最高温度的分钟数	211 (0xD3)	RO	-	0 ... 2 147 483 647 [min]	IntegerT	32 位
低于最低温度的分钟数	212 (0xD4)	RO	-	0 ... 2 147 483 647 [min]	IntegerT	32 位
维护事件计数器	213 (0xD5)	RO	0	0 ... 2 147 483 647	IntegerT	32 位
下载计数器	214 (0xD6)	RO	0	0 ... 65 536	UIntegerT	16 位

Dimensions Abmessungen Dimensions Dimensiones Dimensioni Dimensioner 尺寸图

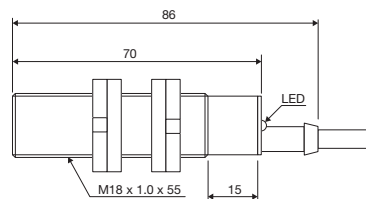
CA30

CA18

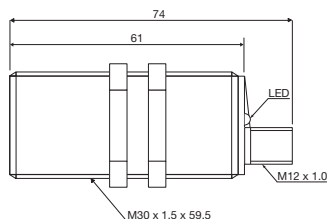
CA30FAF..BPA2IO



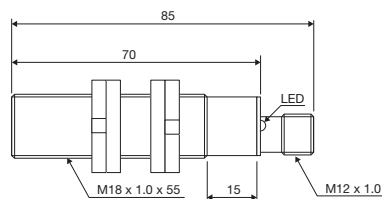
CA18FAF..BPA2IO



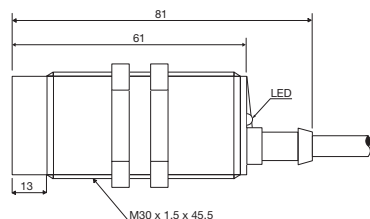
CA30FAF..BPM1IO



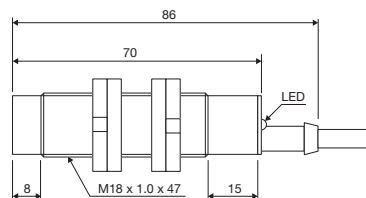
CA18FAF..BPM1IO



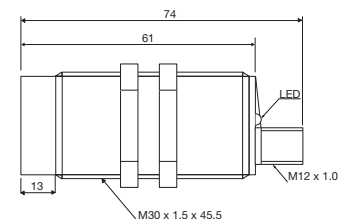
CA30FAN..BPA2IO



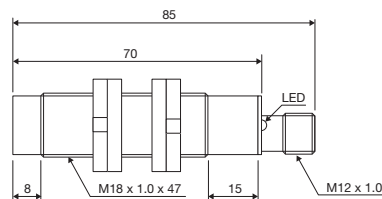
CA18FAN..BPA2IO



CA30FAN..BPM1IO

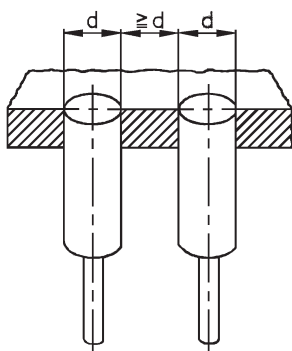


CA18FAN..BPM1IO

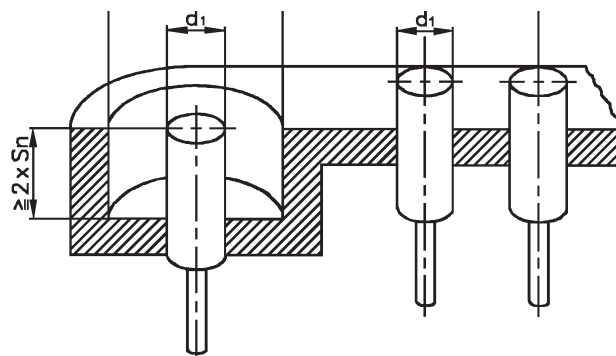


Mounting Montage Montage Montaje Montaggio Montering 安装

Flush mounting

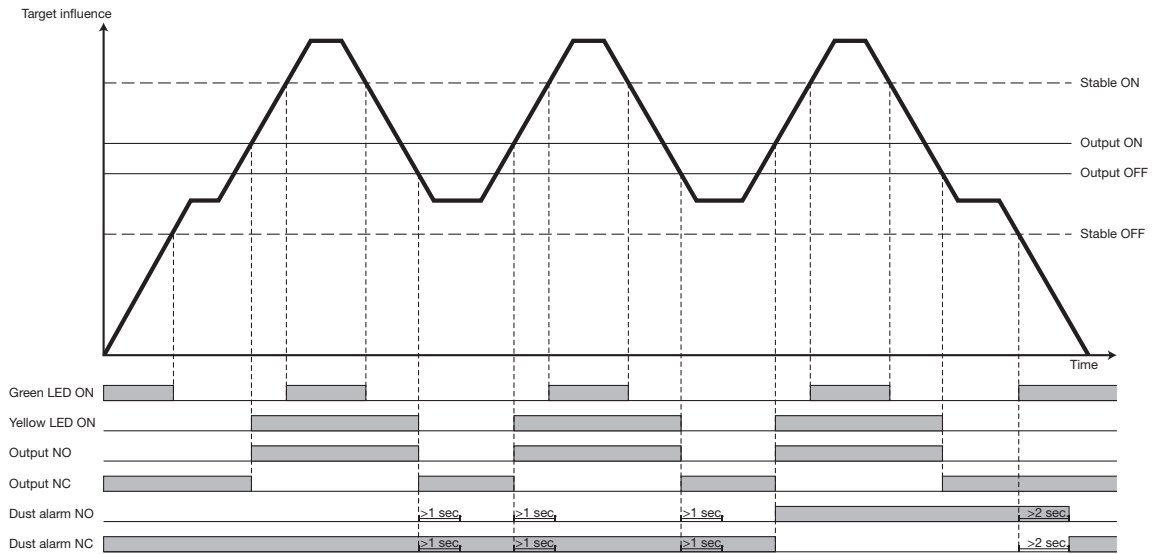


Non-flush mounting



Flush mounting / Bündig einbaubar / Montage noyable / Montaje empotrable / Totalmente schermato / Planmontage / 齐平安装
Non-flush mounting / Nicht-bündigen Einbau / Montage non noyable / Montaje no empotrado / Parzialmente schermato / Ikke planmonteret / 非齐平安装

Detection Stability Erkennungsstabilität Stabilité de la détection Estabilidad de Detección
Rilevamento di stabilità Detektionstabilitet 检测稳定性



Target influence / Einwirkung des Ziels / Influence de la cible / Influencia del objetivo / Influsso dell'obiettivo / Påvirkning fra emnet / 目标感应

Stable ON / Stabil EIN / Stable activée / Stable ON / Stabile ON / Stabil ON / 稳定开启

Output ON / Ausgang EIN / Sortie activée / Salida ON / Uscita ON / Udgang aktiveret / 输出开启

Output OFF / Ausgang AUS / Sortie désactivée / Salida OFF / Uscita OFF / Udgang deaktiveret / 输出关闭

Stable OFF / Stabil AUS / Stable désactivée / Stable OFF / Stabile OFF / Stabil OFF / 稳定关闭

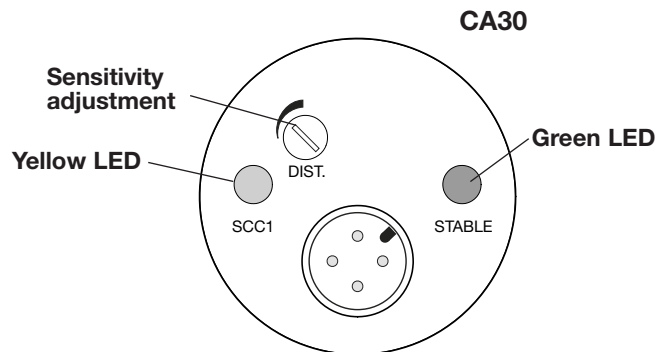
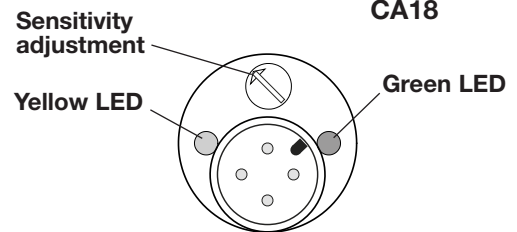
Green LED / Grün LED / LED Vert / LED Verde / LED Verde / Grøn LED / 绿色 LED

Yellow LED / Gelb LED / LED Jaune / LED Amarillo / LED Giallo / Gul LED / 黄色 LED

Dust alarm / Staubalarm / Alarme poussière / Alarma de polvo / Allarme polvere / Støvalarm / 粉尘警报

Time / Zeit / Temps / Tiempo / Tempo / Tid / 時間

Sensitivity adjustment / Einstellbare Empfindlichkeit / Ajustement de la sensibilité / Ajuste de la sensibilidad / Regolazione della sensibilità / Justering af følsomhed / 目标感应



Installation Hints Installationshinweise Conseils d'Installation Normas de Instalación
Consigli per l'Installazione Installationsråd og -vink 安装提示

ENGLISH	<i>To avoid interference from inductive voltage/ current peaks, separate the prox. switch power cables from any other power cables, e.g. motor, contactor or solenoid cables</i>	<i>Relief of cable strain</i> The cable should not be pulled	<i>Protection of the sensing face</i> A proximity switch should not serve as mechanical stop	<i>Switch mounted on mobile carrier</i> Any repetitive flexing of the cable should be avoided
DEUTSCH	<i>Um Störungen durch induktive Spannungs-/Stromspitzen zu vermeiden, Kabel der Näherungsschalter getrennt von anderen stromführenden Kabeln für z.B. Motoren und Leistungsschalter halten</i>	<i>Schutz vor Überdehnung des Kabels</i> Nicht am Kabel ziehen	<i>Schutz der Sensorfläche des Schalters</i> Näherungsschalter nicht als mechanischen Anschlag verwenden	<i>Mobiler Näherungsschalter</i> Wiederholtes Biegen des Kabels vermeiden
FRANÇAIS	<i>Pour éviter les interférences issues des pics de tension et/ou des courants inductifs, veiller à toujours faire cheminer séparément les câbles d'alimentation des détecteurs de proximité et les câbles d'alimentation des moteurs, contacts ou solénoïdes</i>	<i>Tension des câbles</i> Eviter toute contrainte en traction du câble	<i>Protection de la face de détection du détecteur</i> Ne jamais utiliser un détecteur de proximité en tant que butée mécanique	<i>Détecteur monté sur support mobile</i> Eviter toute répétition de courbure dans le cheminement du câble
ESPAÑOL	<i>Para evitar interferencias de tensión inductiva/ picos de intensidad se deben separar los cables del sensor del resto de los cables de alimentación tales como cables de motor, contactores o solenoides</i>	<i>Alivio de la tensión del cable</i> No se debe tirar del cable	<i>Protección de la cara de detección</i> Un sensor de proximidad nunca debe funcionar como tope mecánico	<i>Conector montado sobre portadora móvil</i> Evitar doblar el cable repetidas veces
ITALIANO	<i>Al fine di evitare interferenze di tipo elettrico, separare i cavi di alimentazione del sensore di prossimità dai cavi di potenza</i>	<i>Posizione del cavo</i> Il cavo non deve essere teso	<i>Protezione della parte sensibile del sensore</i> I sensori di prossimità non devono essere usati per bloccaggi meccanici	<i>Sensore installato su pedana mobile</i> Evitare qualsiasi flessione ripetuta del cavo
DANSK	<i>For at undgå støjindflydelse fra induktive strøm-/spændingsspidser skal aftasterkablet adskilles fra andre kraftkabler, f.eks. fra motorer, transformatorer og magnetventiler</i>	<i>Aflastning af kabel</i> Der bør ikke trækkes i kablet	<i>Beskyttelse af følerens tasteflade</i> En aftaster bør ikke anvendes som mekanisk stop	<i>Aftaster monteret på bevægeligt underlag</i> Gentagne bøjninger af kablet bør undgås
中國	<i>为了避免受感应电压/峰值电流的干扰，请将接近开关电源线缆与所有其他电源线缆分开，例如电机、接触器或螺线管的线缆</i>	<i>线缆应力消除</i> 不能拉动线缆	<i>感应面保护</i> 接近开关不能用作机械式止动装置	<i>安装在移动载体上的开关</i> 避免反复弯曲线缆

CARLO GAVAZZI
www.gavazziautomation.com



Certified in accordance with ISO 9001
Gerätehersteller mit dem ISO 9001/EN 29 001 Zertifikat
Une société qualifiée selon ISO 9001
Empresa que cumple con ISO 9001
Certificato in conformità con l'ISO 9001
Kvalificeret i overensstemmelse med ISO 9001
按照认证 ISO 9001